



ON Semiconductor®

<http://onsemi.com>

# LA72914V

## Monolithic Linear IC FM Modulator and Demodulator IC

### Overview

The LA72914V is a FM modulation and demodulation IC for audio signals. And it is possible to use that for the data pulse or the control pulse, etc.

### Functions

- Alignment-free FM modulator and demodulator of 4.5MHz.
- Alignment-free FM modulator and demodulator of 6.5MHz.
- ALC/ FMAGC, Emphasis/ De-emphasis
- Carrier frequency adjustment function, Standby switch

### Specifications

#### Maximum Ratings at $T_a = 25^\circ\text{C}$

Parameter	Symbol	Conditions	Ratings	Unit
Maximum supply voltage	$V_{CC \text{ max}}$		7.0	V
Allowable power dissipation	$P_d \text{ max}$	$T_a \leq 70^\circ\text{C}^*$	300	mW
Operating temperature	$T_{opr}$		-20 to +70	$^\circ\text{C}$
Storage temperature	$T_{stg}$		-40 to +150	$^\circ\text{C}$

When mounted on a 114.3mm × 76.1mm × 1.6mm, glass epoxy.

Stresses exceeding Maximum Ratings may damage the device. Maximum Ratings are stress ratings only. Functional operation above the Recommended Operating Conditions is not implied. Extended exposure to stresses above the Recommended Operating Conditions may affect device reliability.

#### Recommended Operating Conditions at $T_a = 25^\circ\text{C}$

Parameter	Symbol	Conditions	Ratings	Unit
Recommended supply voltage	$V_{CC}$	$T_a = 25^\circ\text{C}$	5.0	V
Allowable operating voltage range	$V_{CC \text{ op}}$	$T_a = -20 \text{ to } +70^\circ\text{C}$	4.7 to 5.5	V

# LA72914V

**Electrical Characteristics** at Ta = 25°C, VCC = 5V

## DC Characteristic

Parameter	Symbol	Conditions	Ratings			Unit
			min	typ	max	
2.4V regulator	VREG	Measure the DC voltage at pin 2	2.2	2.4	2.6	V
Current dissipation	ICC1	Measure the current into pin 4 in normal mode.	26.0	33.0	40.0	mA
	ICC2	Measure the current into pin 4 in stand-by mode.	2.0	2.5	3.0	mA
Control pin (6 pin) Low level	CNT6L	Low level of input pin (6pin) in 4.5MHz TX mode.	0		0.4	V
Control pin (6 pin) Middle level	CNT6M	Middle level of input pin (6pin) in stand-by mode.	2.0		3.0	V
Control pin (6 pin) High level	CNT6H	High level of input pin (6pin) in 6.5MHz TX mode.	4.5		5.0	V
AGC stop at pin 11 control voltage	AGCS	Voltage of input pin (pin 11) in AGC stop	4.5		5.0	V
TX OFF mode at pin 16 control voltage	CNT16L	Voltage of input pin (pin 16) in TX off mode	0		0.4	V

## Sound FM Modulation Block (TX)

Parameter	Symbol	Conditions	Ratings			Unit
			min	typ	max	
FM carrier output frequency	FFM1	Output frequency of T1B in no signals. T6=0.6V, T14:open	4.455	4.500	4.545	MHz
	FFM2	Output frequency of T1B in no signals. T6=4.2V, T14:open	6.435	6.500	6.565	MHz
FM carrier output level	VOFM1	Output level of T1B in no signals. Load impedance = 1kΩ T1-GND. T6=0.6V	1.9	2.3	2.6	Vp-p
	VOFM2	Output level of T1B in no signals. Load impedance = 1kΩ T1-GND. T6=4.2V	1.3	1.7	2.1	Vp-p
FM carrier output second harmonics distortion	2HD1	2 <sup>nd</sup> harmonics distortion of T1B in no signals. Load impedance = 1kΩ T1-GND. T6=0.6V		-30	-20	dB
	2HD2	2 <sup>nd</sup> harmonics distortion of T1B in no signals. Load impedance = 1kΩ T1-GND. T6=4.2V		-30	-20	dB
FM carrier output mute level	VFMT	Output level of T1B in TX off mode. T6=0.6V (4.2V)		-60	-50	dB
FM deviation	DEV	FM deviation of T1A, T6=0.6V (4.2V), input at T16=1.0Vp-p/1kHz (sine)	20	25	30	kHz
Emphasis Characteristic	FEMP	T16=200mVp-p, 1kHz (sine), M1=T1 output deviation. T16=200mVp-p, 5kHz (sine), M2=T1 output deviation. FEMP=M2-M1	7	12	17	kHz
ALC characteristic	ALC1	T16A=0.25Vp-p, 1kHz (sine), T3:Open, T6=0.6V, T3 output level	0.45	0.5	0.55	Vp-p
	ALC2	T16A=0.6Vp-p, 1kHz (sine), T3:Open, T6=0.6V, T3 output level	0.9	1.0	1.1	Vp-p
	ALC3	T16A=1.0Vp-p, 1kHz (sine), T3:Open, T6=0.6V, T3 output level	0.95	1.05	1.15	Vp-p
FM carrier "fo" adjustment (reference)	FCNT1	No signal input. Measure T1B frequency. T16:Open, T6=0.6V (4.2V), T14=0.5V		-0.22		MHz
	FCNT2	No signal input. Measure T1B frequency. T16:Open, T6=0.6V (4.2V), T14=4.5V		+-.22		MHz

## Sound FM demodulation block (RX)

Parameter	Symbol	Conditions	Ratings			Unit
			min	typ	max	
Sound demodulation level	VOUT1	Input signal: CAR=4.5MHz, DEV=±25kHz, MOD=1kHz, Level: 100mVp-p. T5A input. Measure T9B signal level. (T9B-GND: ROJT=10kΩ) T6=4.2V	0.6	0.9	1.3	Vp-p
	VOUT2	Input signal: CAR=6.5MHz, DEV=±25kHz, MOD=1kHz, Level: 100mVp-p. T5A input. Measure T9B signal level. (T9B-GND: ROJT=10kΩ) T6=0.6V	0.7	1.0	1.4	Vp-p
S/N	SN1	Input signal: CAR=4.5MHz, No-modulation. Level: 100mVp-p. T5A input. T6=4.2V, (IHF-A) M1=T9B signal level. (T9B-GND: ROJT=10kΩ) SN1=20log(VOJT1/M1)	35	50		dB
	SN2	Input signal: CAR=6.5MHz, No-modulation. Level: 100mVp-p. T5A input. T6=0.6V, (IHF-A) M1=T9B signal level. (T9B-GND: ROJT=10kΩ) SN1=20log(VOJT2/M1)	35	50		dB

Continued on next page

# LA72914V

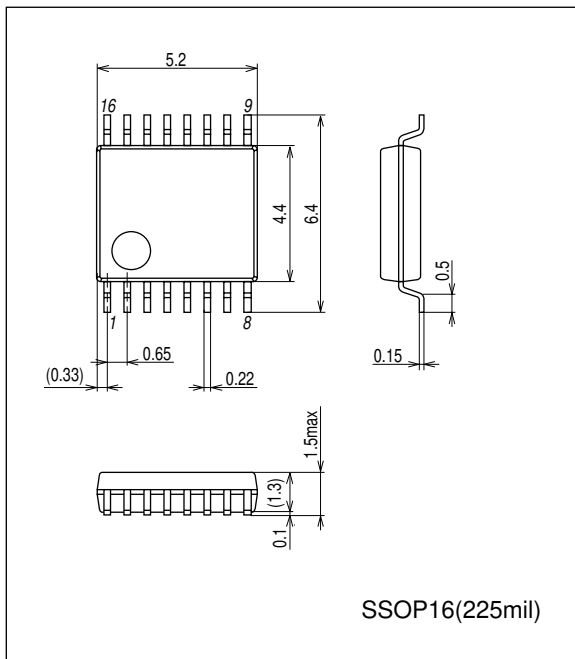
Continued from preceding page.

Parameter	Symbol	Conditions	Ratings			Unit
			min	typ	max	
THD	THD1	Same condition $V_{OUT1}$ . Measure T9B signal.	0	0.3	1.0	%
	THD2	Same condition $V_{OUT2}$ . Measure T9B signal.	0	0.3	1.0	%
De-emphasis characteristic	DEEM1	Input signal: CAR=4.5MHz, DEV= $\pm 25$ kHz, MOD=5kHz, Level: 100mVp-p. T5A input. T6=4.2V, M1=T9B signal level. DEEM= $20\log(M1/V_{OUT1})$	-10	-7.5	-5	dB
	DEEM2	Input signal: CAR=6.5MHz, DEV= $\pm 25$ kHz, MOD=5kHz, Level: 100mVp-p. T5A input. T6=0.6V, M1=T9B signal level. DEEM= $20\log(M2/V_{OUT2})$	-10	-7.5	-5	dB
Trap-filter characteristic	TRP1	T11=4.5V, T6=4.2V, T5A=4.5MHz, 100mVp-p. T12A=A1. T5A=6.5MHz. 100mVp-p. T12A=B1. TRP1= $20\log(B1/A1)$		-20	-15	dB
	TRP2	T11=4.5V, T6=0.6V, T5A=4.5MHz, 100mVp-p. T12A=A1. T5A=6.5MHz. 100mVp-p. T12A=B1. TRP2= $20\log(A1/B1)$		-20	-15	dB
FM AGC characteristic	AGC1	T6=4.2V. T5A=4.5MHz, 300mVp-p. Measure T12 signal level.	250	350	450	mVp-p
	AGC2	T6=0.6V. T5A=6.5MHz, 300mVp-p. Measure T12 signal level.	250	350	450	mVp-p
	AGC3	T6=4.2V. T5A=4.5MHz, 30mVp-p. Measure T12 signal level.	200	300	400	mVp-p
	AGC4	T6=0.6V. T5A=6.5MHz, 30mVp-p. Measure T12 signal level.	200	300	400	mVp-p
FM AGC STOP characteristic	AGCSTP1	T6=4.2V. T11=4.5V, T5A=4.5MHz, 100mVp-p. Measure T12 signal level.	70	100	140	mVp-p
	AGCSTP2	T6=0.6V. T11=4.5V, T5A=6.5MHz, 100mVp-p. Measure T12 signal level.	70	100	140	mVp-p
FM input sensitivity	FMIN1	Input signal: CAR=4.5MHz, DEV= $\pm 25$ kHz, MOD=1kHz, T6=4.2V. When T9B signal is OK, then measure T5A FM input level range.	30	100	300	mVp-p
	FMIN2	Input signal: CAR=6.5MHz, DEV= $\pm 25$ kHz, MOD=1kHz, T6=0.6V. When T9B signal is OK, then measure T5A FM input level range.	30	100	300	mVp-p

## Package Dimensions

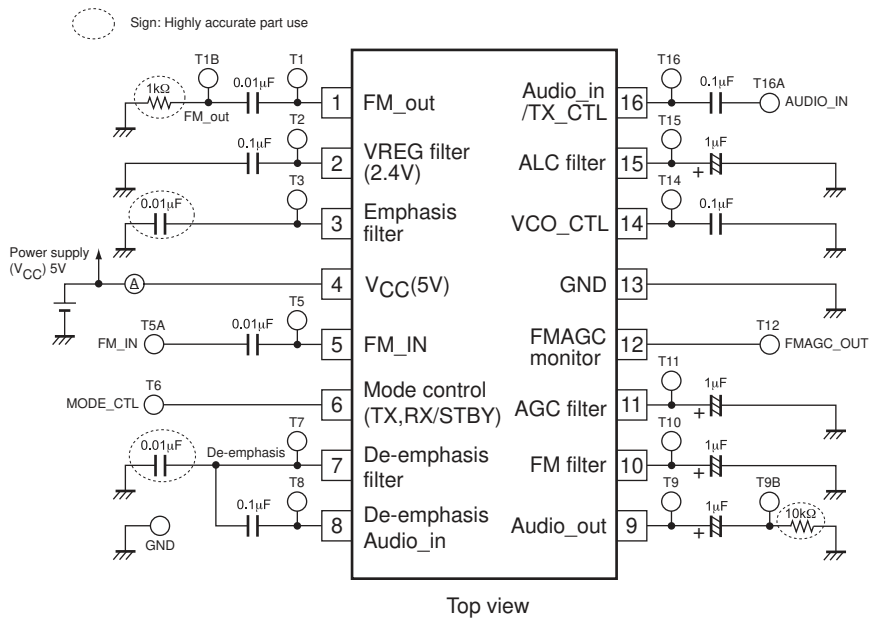
unit: mm (typ)

3178B

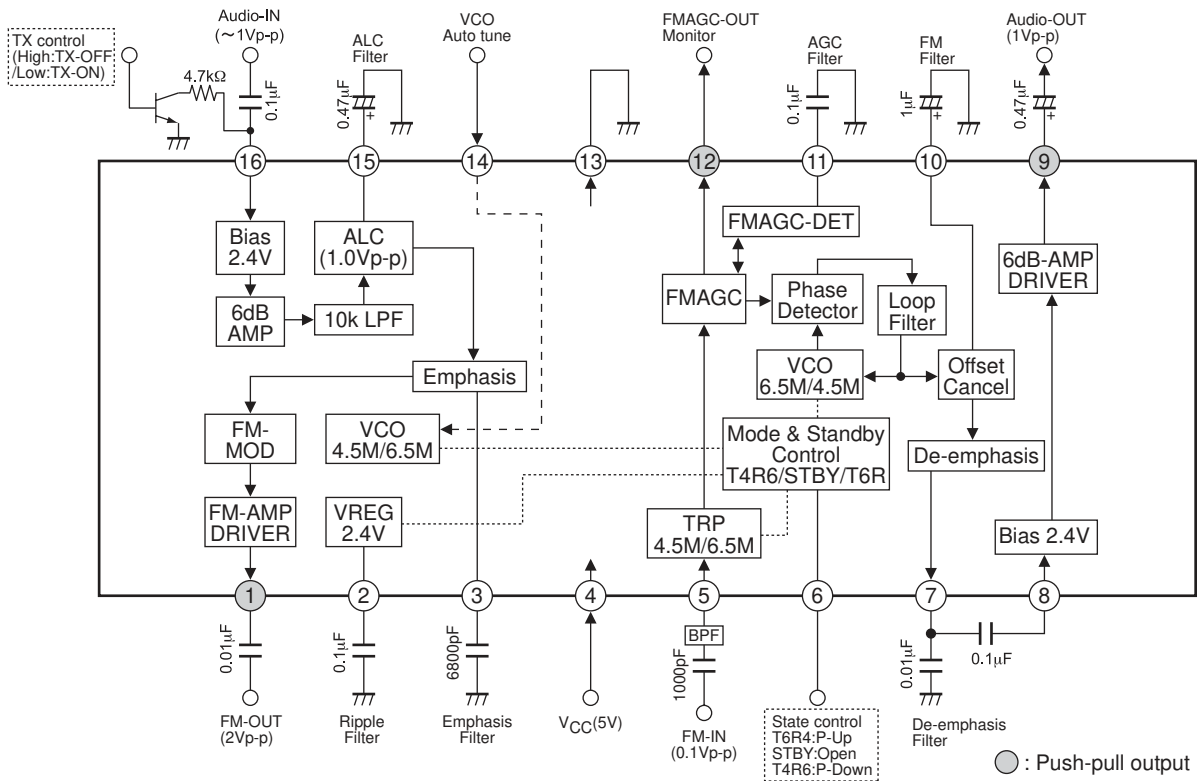


# LA72914V

## Pin Layout and Measurement circuit



## Block Diagram and Application Circuit



# LA72914V

## Pin Description

Pin No.	Pin Name	Description	Equivalent circuit
1	FM OUT	4.5MHz or 6.5MHz FM carrier output. Push-pull output pin. Output level is 2.5Vp-p (Load resistance=1kΩ)	
2	2.4V REG Filter	Internal regulator filter pin. Please connect 0.1μF (C1)	
3	Emphasis Filter	Emphasis filter pin. Before FM modulation, make emphasis Characteristic at audio signal. C1(6800pF) Emphasis time constant must be matching de-emphasis time constant. (If you don't need the emphasis, this pin is open.)	
4	VCC	VCC pin. Supply voltage is 5V DC. Please connect de-coupling capacitor. (about 47μF)	
5	FM IN	FM signal input. Please use capacitor coupling.	
6	Mode CTL	MODE control pin. Control modulation frequency TX=4.5MHz: 0 to 0.4V Stand-by: 2.0 to 3.0V TX=6.5MHz: 4.5V to VCC	

Continued on next page.

# LA72914V

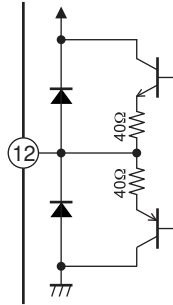
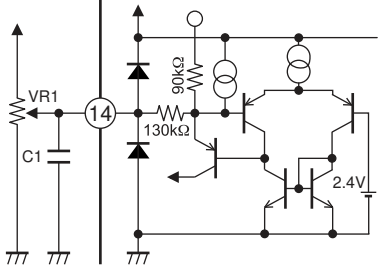
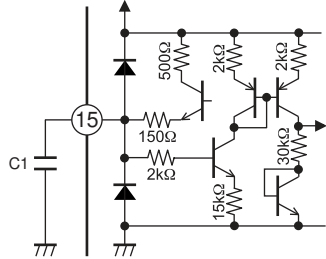
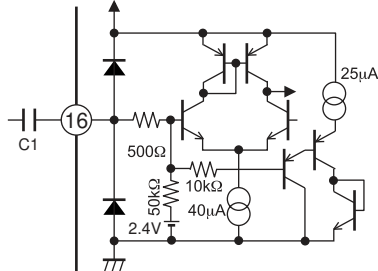
Continued from preceding page.

Pin No.	Pin Name	Description	Equivalent circuit
7	De-emphasis Filter	De-emphasis filter pin. De-emphasis time constant must be matching at emphasis time constant. Recommend value is 6800pF to 0.01μF. Connect Cap. Coupling to pin8.	
8	RX Audio IN	Internal DC bias is 2.4V. Please connect Cap. coupling.	
9	Audio OUT	Audio signal output pin. Push-pull output pin. Output level is 1.0Vp-p at 1kHz. (Load resistance=10kΩ)	
10	FM Filter	FM demodulator filter pin. Please connect 1.0μF capacitor. (If you need rising of low frequency gain, then change more large capacitor in use.)	
11	AGC Filter	FM AGC filter pin. Please connect 0.1μF capacitor. If you need reduce AGC-gain, then connect resistor (R1: 11pin-V <sub>CC</sub> ) If FM AGC no need, please set pin11 voltage over 4.5V DC voltage.	

Continued on next page.

# LA72914V

Continued from preceding page.

Pin No.	Pin Name	Description	Equivalent circuit
12	AGC monitor	FM AGC monitor pin.	
13	GND	GND pin.	
14	V <sub>CO</sub> CTL	Modulation frequency fine control pin. Adjustment frequency is, about ±220kHz at 0.5V to 4.5V DC.	
15	ALC CTL	Audio ALC filter pin. Please connect 0.47μF capacitor.	
16	TX Audio IN (TX-OFF_CTL)	Audio signal input pin. Internal bias is 2.4V DC. Please use capacitor coupling. If DC voltage set to under 0.4V DC, then modulator circuit stops. Demodulation circuit is work. This is receiving only mode. (TX-OFF: 0 to 0.4V)	

## Signal processing outline

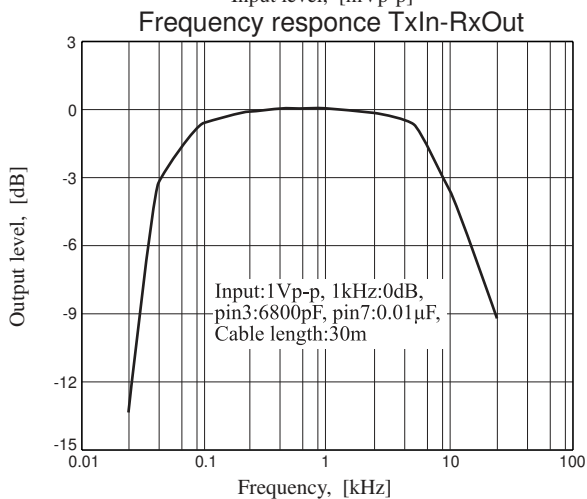
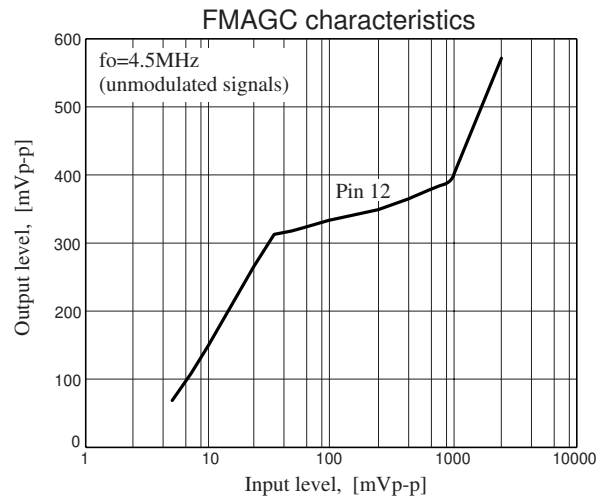
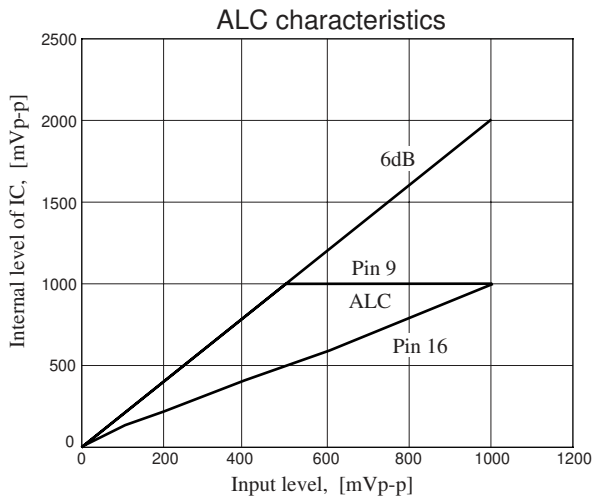
### [Modulation block]

- Audio signal is input from pin16. (Internal bias is DC 2.4V.) Go through AMP (6dB)/ALC/LPF (10 kHz) and emphasis circuit, then input FM-modulation block. After FM-modulation block, go to output driver block then FM-audio signal output from pin1.
- ALC: ALC circuit work at pin16 input level over than 0.5Vp-p.
- LPF: LPF gain is -3dB at 10 kHz and -6dB/oct. Keep over modulation from emphasis characteristic.
- Emphasis circuit: The pin3 owns an Emphasis characteristic which connected capacitor. Recommended value = 6800pF.
- FM modulation: Carrier frequency is choosing from pin6 voltage. When pin16 input level is 0.5Vp-p, then FM deviation set to ±25 kHz. Internal LPF reduce harmonic spectrum.
- Output Driver: Output AC voltage is about 2.0Vp-p. (Load resistance: 1kΩ)

[De-modulation block]

- Demodulate audio signal from modulated audio signal.
- FM-Audio signal is input from pin5. Go through 4.5M-Trap-filter or 6.5MHz-Trap-filter and AGC go to demodulator. After demodulator go to De-emphasis circuit. After de-emphasis circuit signal is output pin7. Pin7 signal is charge to DC bias for coupling capacitor at pin8. Audio signal from pin8 go to 6dB AMP then output from pin9. (Door-phone application, there are two FM carrier. In this case we recommend add BPF before pin5 FM-Audio signal input.)
- 4.5M/6.5MHz-Trap-filter: Internal Trap-filter is change for pin6 mode control. (If modulator frequency is 4.5MHz, then internal Trap-filter is 4.5MHz.)
- AGC: After AGC level is control about 0.3Vp-p. After AGC signal go to pin12 FM-monitor and de-modulator.
- De-emphasis circuit: The pin7 owns an De-emphasis characteristic which connected capacitor. Recommended value = 10nF.
- Output signal level: If input FM signal deviation is  $\pm 25$  kHz, then output signal level is 1Vp-p (TYP) from pin9/ (Load resistance: 10k $\Omega$  at 1 kHz.)

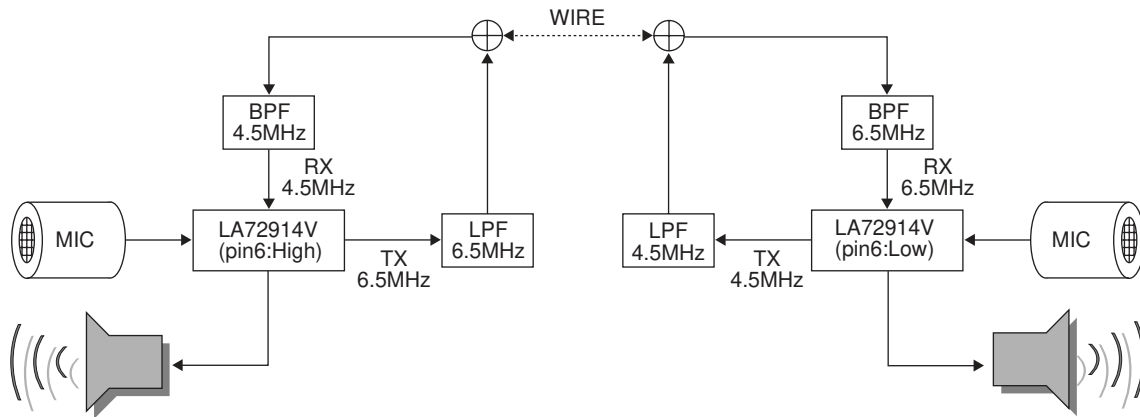
## Characteristics





# LA72914V

## Application example



[Above-mentioned recommendation BPF]

Made by Murata Mfg.: SFSKA4M50DF00 (4.5MHz)/SFSKA6M50CF00 (6.5MHz)

ON Semiconductor and the ON logo are registered trademarks of Semiconductor Components Industries, LLC (SCILLC). SCILLC owns the rights to a number of patents, trademarks, copyrights, trade secrets, and other intellectual property. A listing of SCILLC's product/patent coverage may be accessed at [www.onsemi.com/site/pdf/Patent-Marking.pdf](http://www.onsemi.com/site/pdf/Patent-Marking.pdf). SCILLC reserves the right to make changes without further notice to any products herein. SCILLC makes no warranty, representation or guarantee regarding the suitability of its products for any particular purpose, nor does SCILLC assume any liability arising out of the application or use of any product or circuit, and specifically disclaims any and all liability, including without limitation special, consequential or incidental damages. "Typical" parameters which may be provided in SCILLC data sheets and/or specifications can and do vary in different applications and actual performance may vary over time. All operating parameters, including "Typicals" must be validated for each customer application by customer's technical experts. SCILLC does not convey any license under its patent rights nor the rights of others. SCILLC products are not designed, intended, or authorized for use as components in systems intended for surgical implant into the body, or other applications intended to support or sustain life, or for any other application in which the failure of the SCILLC product could create a situation where personal injury or death may occur. Should Buyer purchase or use SCILLC products for any such unintended or unauthorized application, Buyer shall indemnify and hold SCILLC and its officers, employees, subsidiaries, affiliates, and distributors harmless against all claims, costs, damages, and expenses, and reasonable attorney fees arising out of, directly or indirectly, any claim of personal injury or death associated with such unintended or unauthorized use, even if such claim alleges that SCILLC was negligent regarding the design or manufacture of the part. SCILLC is an Equal Opportunity/Affirmative Action Employer. This literature is subject to all applicable copyright laws and is not for resale in any manner.