

Series **D xx P 24A 6 xx 12 LF**

Number of contacts
09 , 15 , 25

Contacts
P : Pin

Termination

Code	Type	Foot Print/Pitch	Length of termination	PCB thickness
24A	Straight version	6 / 2.84mm	2	1.6

Plating
6 = 500 Mating / Unmating Mini

Packaging specification

Tape and Reel

See Note RoHS

NOTE RoHS iNFORMATION

- The "LF" product meet european union Directives and other country regulations asdescribed in GS-22-008.
- The housing will whistand exposure to 260^o peak temperature for 30 seconds in a convection , infra-red or vapor reflow oven. See application notes/procedures if are available.
- Termination plating spec:1.27 μ Nickel mini,2.5 to 7.5 μ Sn(pure mate)
- Shell plating : Nickel bright
- Accessories : Sn pure bright
- Packaging spec ; See GS-14-920

Mounting Options

RL	Insert M3
RV	Female Screw UNC 4-40
RX	Insert UNC 4-40



Copyright FCI.

Product Specification

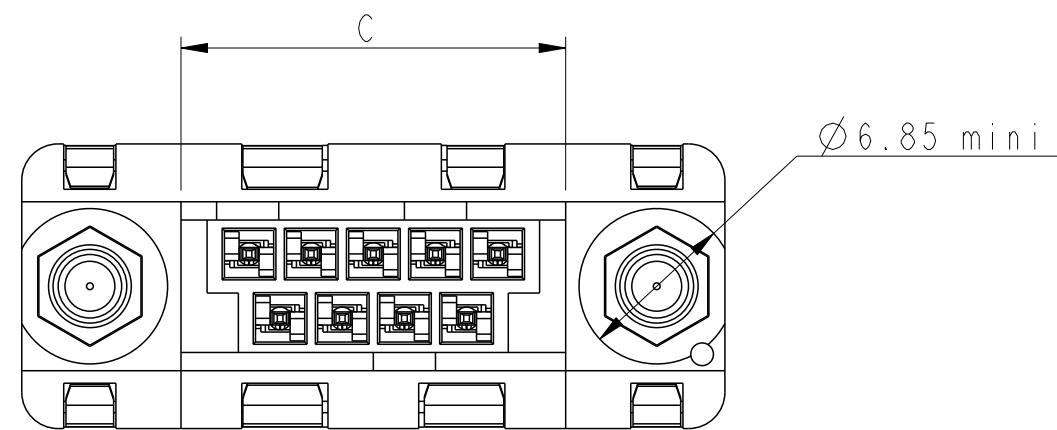
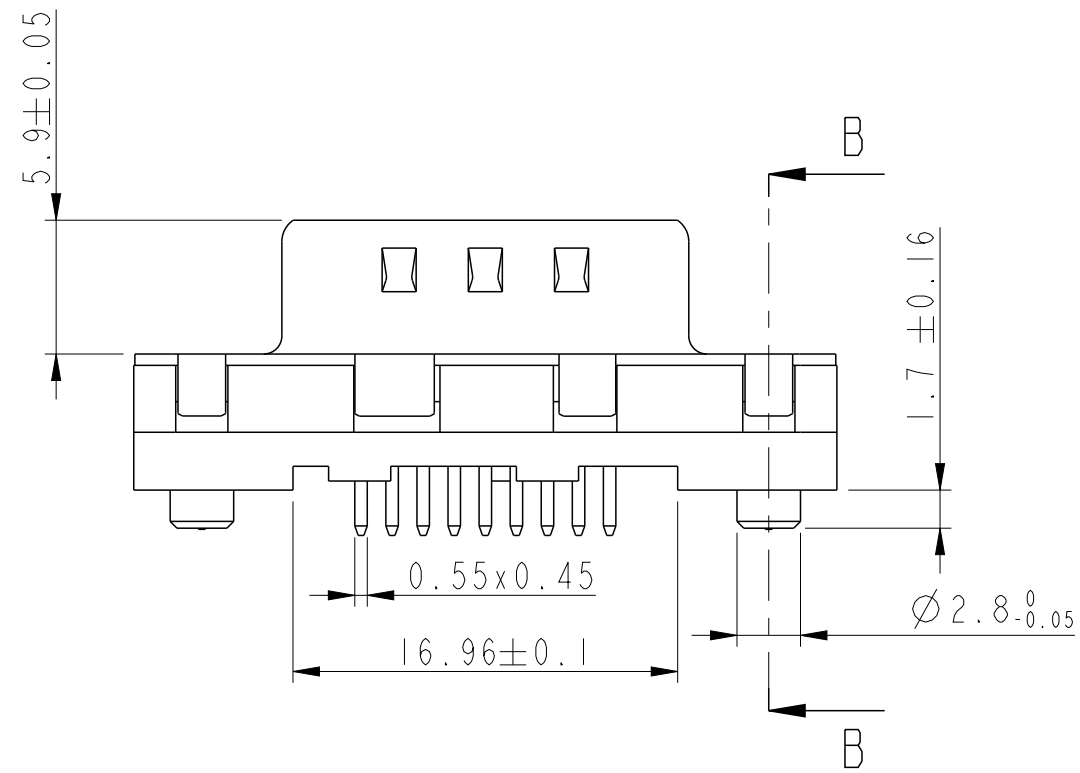
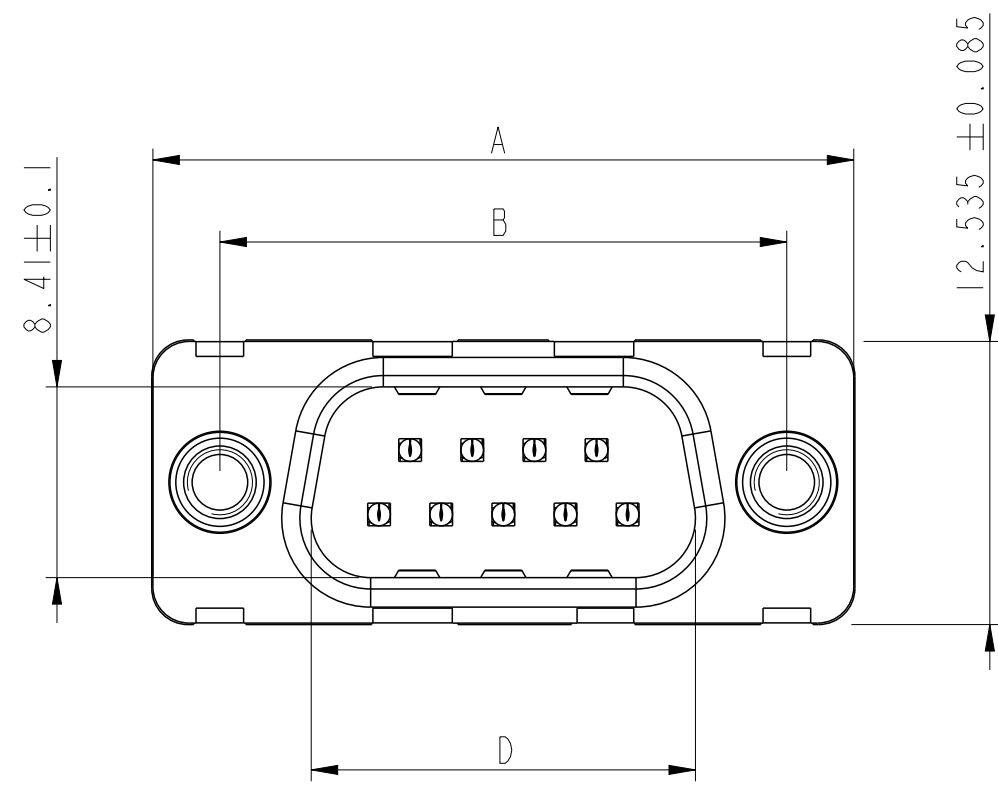
see : GS-12-372

Packaging Specification

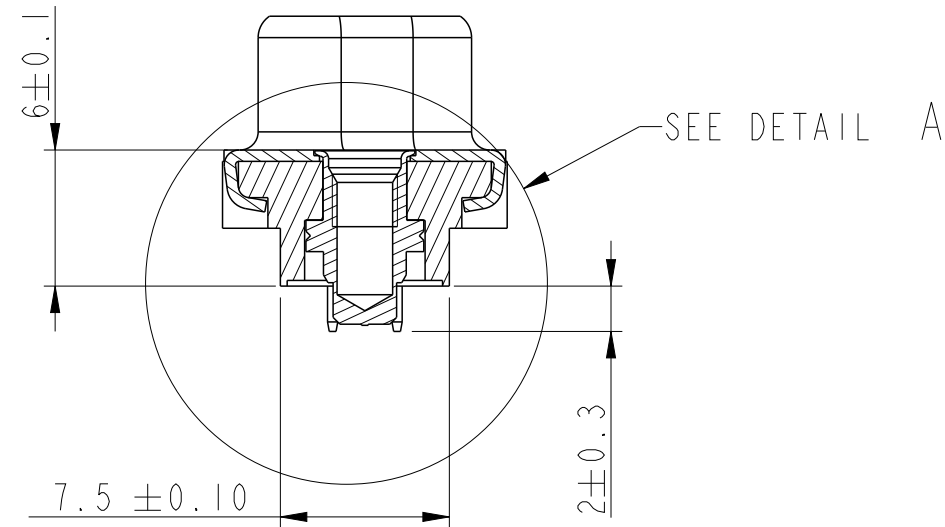
See GS-14-1054

www.fciconnect.com		surface <input checked="" type="checkbox"/> ISO 1302	tolerance std ISO 406 ISO 1101	projection	mm
TOLERANCES UNLESS OTHERWISE SPECIFIED					
Dr	P. CRON	03/02/06	ANGULAR	0.X ±0.3	size A3
Eng	H. LEGALLIC	03/02/06	LINEAR	0.XX ±0.1	Scale 3:1
Chr	NIRMAL G	2010-10-14	0° ±2°	0.XXX ±0.05	ECN 110-0197
Appr	SUDHIR V	2010-10-14	Product family SUB DELTA D PIP		Spec ref -
FCI		SUB DELTA D PIP MALE		dwg no C01-8646-0876	Rev. G
title straight for tape and reel packaging		catalog no SEE TABLE		CUSTOMER COPY sheet 1 of 2	

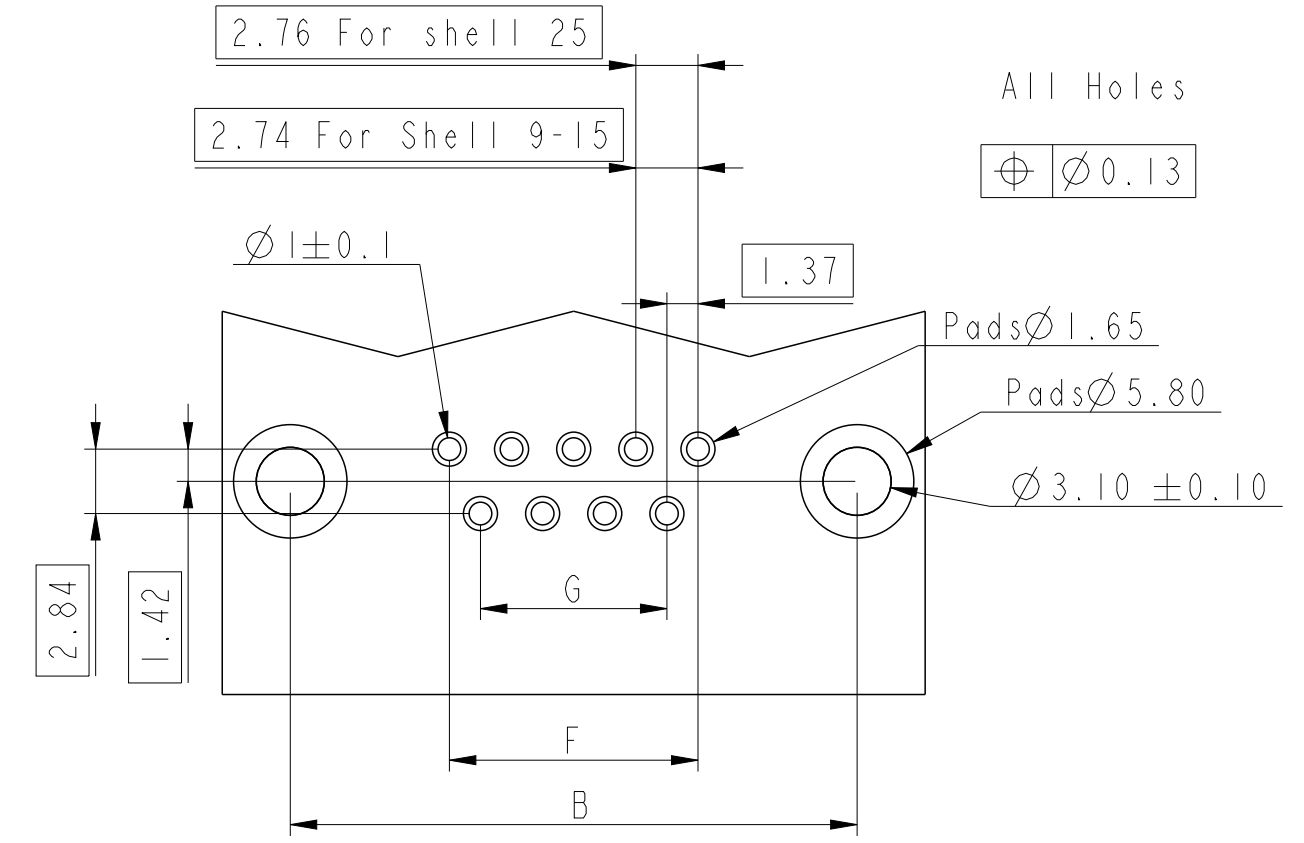
ltr	ecn no	dr	date
A	-	LH	03/02/06
B	LS06-0040	PC	23/03/06
C	LS06-0105	HLE	25/07/06
D	LS06-0220	PCR	2006/12/21
E	LS07-0050	HLE	2007/03/02
F	110-0120	NG	2010-05-27
G	110-0197	NG	2010-10-14



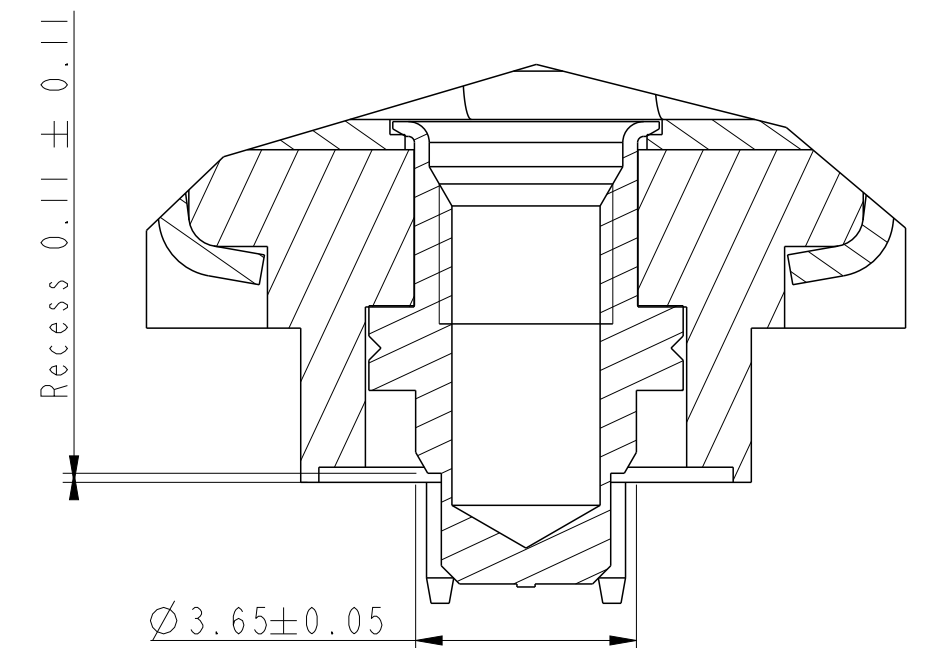
SECTION B-B



PCB Card Drilling dimensions and Pads recommended (after plating - Thickness : 1.60 mm)



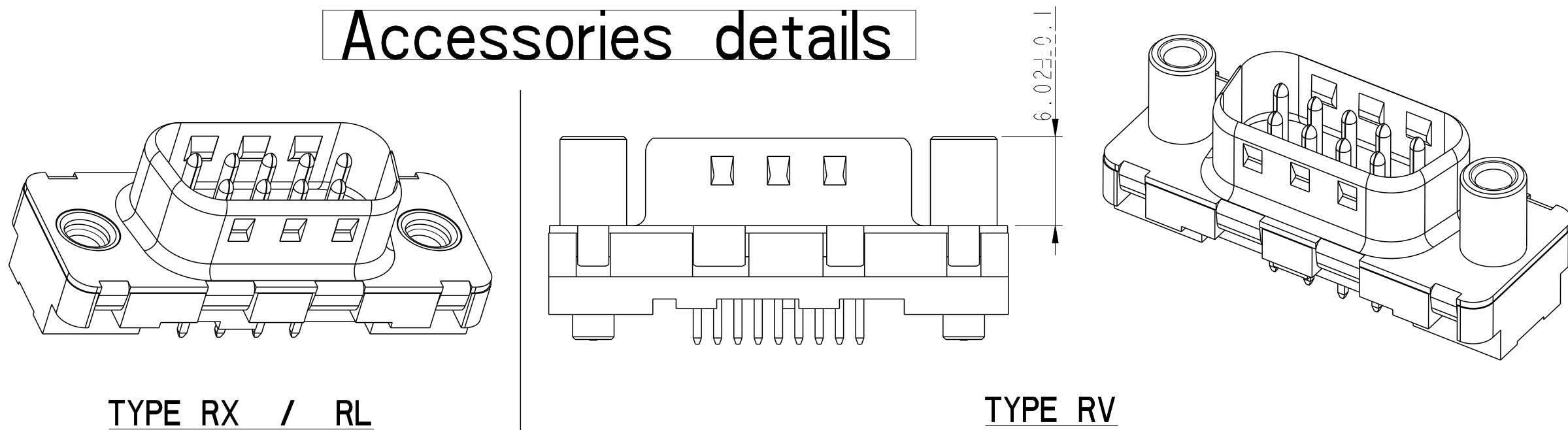
DETAIL A
SCALE 8:1



TRUE POSITIONING : $\oplus \text{ } \varnothing 0.36$

SHELL	P/N LEAD FREE	A ±0.38	B ±0.10	C ±0.10	D +0.25 0	E +0.15 0	F	G
09	D09P24A6xx12LF	30.81	24.99	16.96	16.79	5.9	10.96	8.22
15	D15P24A6xx12LF	39.14	33.32	25.18	25.12	5.9	19.18	16.44
25	D2524A6xx12LF	53.03	47.04	39.12	38.84	5.7	33.12	30.36

Accessories details



www.fciconnect.com		surface	tolerance std	projection	mm
		ISO 1302	ISO 406 ISO 1101	$\oplus \text{ } \text{---}$	
TOLERANCES UNLESS OTHERWISE SPECIFIED					
Dr	P. CRON	03/02/06	ANGULAR	0.x ±0.3	size A2
Eng	H. LEGALLIC	03/02/06	LINEAR	0.xx ±0.1	Scale 3:1
Chr	NIRMAL G	2010-10-14	0° ±2°	0.xxx ±0.05	ECN 110-0197
Appr	SUDHIR V	2010-10-14	Product family	SUB DELTA D PIP	Spec ref -
FCJ			SUB DELTA D PIP MALE		Rev. G
straight for tape and reel packaging			C01-8646-0876		
catalog no			SEE TABLE		CUSTOMER COPY sheet 2 of 2