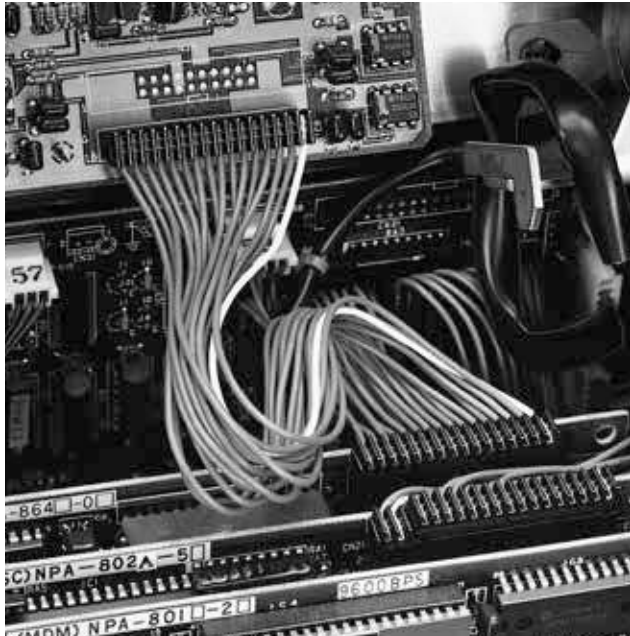
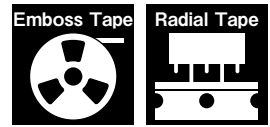
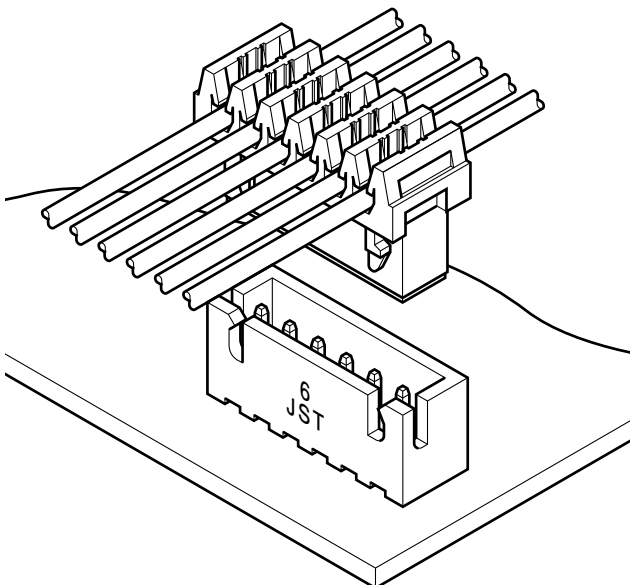


NRD CONNECTOR

Disconnectable Insulation displacement connectors



This 2.5mm pitch insulation displacement connector is another version of the NR connector for printed circuit boards. The NRD connector allows daisy chaining and is very useful in simplifying connection systems in electronic equipment.



Features

• Daisy chain connection

The connection shown in the figure is commonly called "daisy chain connection"s or "through connection"s. With these simple connections, many signals can be bussed to many different printed circuit boards. The NRD connector is constructed to allow such daisy chain connections.

• Reliable insulation displacement construction

The contact is identical to that of the NR connector which has an established reputation for superb reliability.

• Strain relief

Two strain relief sections are provided on the housing to decouple vibration, bending forces and other external stresses from the insulation displacement section.

• Interchangeability

The header is interchangeable with the XHconnectors (crimp style), the NR connectors (IDC style), and the JQ connectors (board-to-board style).

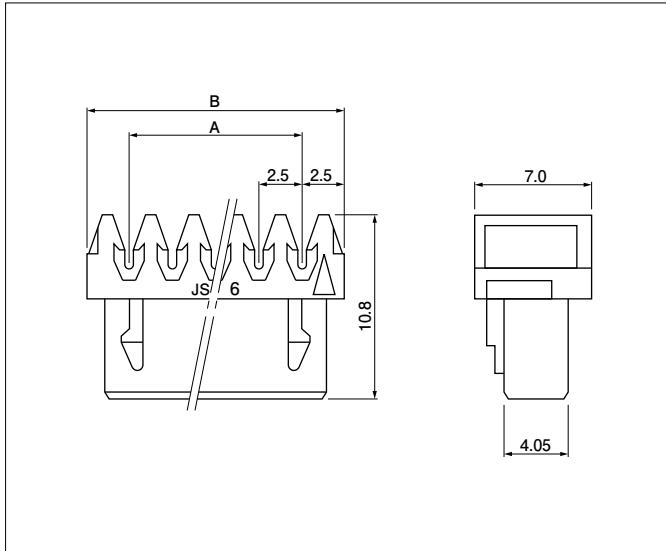
Specifications

- Current rating: 2A AC, DC (AWG #24)
- Voltage rating: 250V AC, DC
- Temperature range: -25°C to +85°C
(including temperature rise in applying electrical current)
- Contact resistance: Initial value/10mΩ max.
After environmental testing/20mΩ max.
- Insulation resistance: 1,000MΩ min.
- Withstanding voltage: 1,500V AC/minute
- Applicable wire: UL1007 (Contact JST for details regarding other UL wires.)
AWG #28, #26, #24
Conductor/7 strands, tin-coated
Insulation O.D./1.1 to 1.5mm
- Applicable PC board thickness: 1.6mm
- * Compliant with RoHS.
- * Refer to "General Instruction and Notice when using Terminals and Connectors" at the end of this catalog.
- * Contact JST for details.

Standards

- Ⓜ Recognized E60389
- Ⓢ Certified LR20812

Socket



No. of circuits	Model No.			Dimensions (mm)		Q'ty / box
	AWG #28 (green)	AWG #26 (natural/white)	AWG #24 (black)	A	B	
2	02NR-D8M-P	02NR-D6S-P	02NR-D4K-P	2.5	7.5	1,000
3	03NR-D8M-P	03NR-D6S-P	03NR-D4K-P	5.0	10.0	1,000
4	04NR-D8M-P	04NR-D6S-P	04NR-D4K-P	7.5	12.5	1,000
5	05NR-D8M-P	05NR-D6S-P	05NR-D4K-P	10.0	15.0	500
6	06NR-D8M-P	06NR-D6S-P	06NR-D4K-P	12.5	17.5	500
7	07NR-D8M-P	07NR-D6S-P	07NR-D4K-P	15.0	20.0	500
8	08NR-D8M-P	08NR-D6S-P	08NR-D4K-P	17.5	22.5	500
9	09NR-D8M-P	09NR-D6S-P	09NR-D4K-P	20.0	25.0	250
10	10NR-D8M-P	10NR-D6S-P	10NR-D4K-P	22.5	27.5	250
12	12NR-D8M-P	12NR-D6S-P	12NR-D4K-P	27.5	32.5	250
14	14NR-D8M-P	14NR-D6S-P	14NR-D4K-P	32.5	37.5	200
16	16NR-D8M-P	16NR-D6S-P	16NR-D4K-P	37.5	42.5	200

Material and Finish

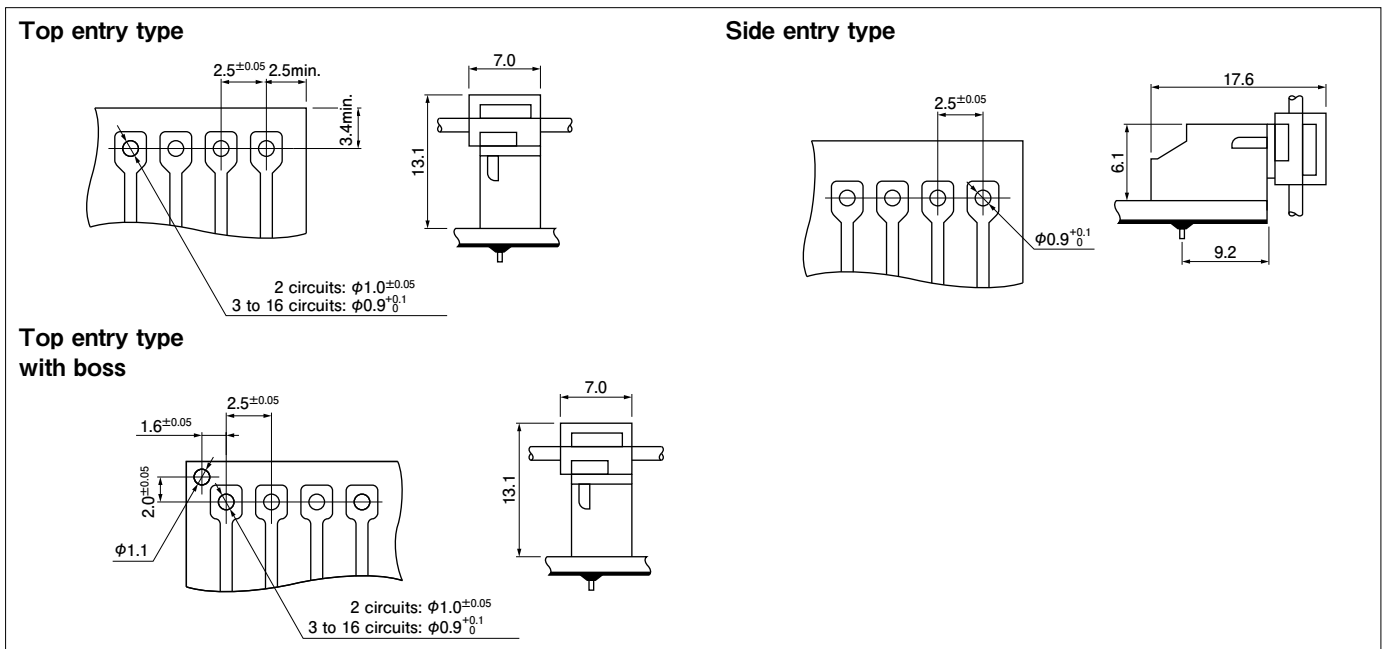
Contact: Phosphor bronze, tin-plated (reflow treatment)
Housing: PA 66, UL94V-0

RoHS compliance

Header

The headers are interchangeable with the XH connectors (crimp style), the NR connectors (IDC style), and the JQ connectors (board-to-board).

PC board layout (viewed from soldering side) and Assembly layout



Note:

1. Tolerances are non-cumulative: $\pm 0.05\text{mm}$ for all centers.
2. Hole dimensions differ according to the type of PC board and piercing method. If PC boards made of hard material are used, the hole dimensions should be larger. The dimensions above should serve as a guideline. Contact JST for details.

NRD CONNECTOR

Model number allocation

Socket

		02 NR - D 8 M - P	
No. of circuits: 2 to 10, 12, 14, 16			
Series name			
Wire connection form: Daisy chain connection			
Applicable wire range: 4··AWG #24			
6··AWG #26			
8··AWG #28			
Color: K··Black	AWG #24 Standard color		
S··Natural (White)	AWG #26 Standard color		
M··Green	AWG #28 Standard color		
Surface finish: P··Tin-plated (reflow treatment)			