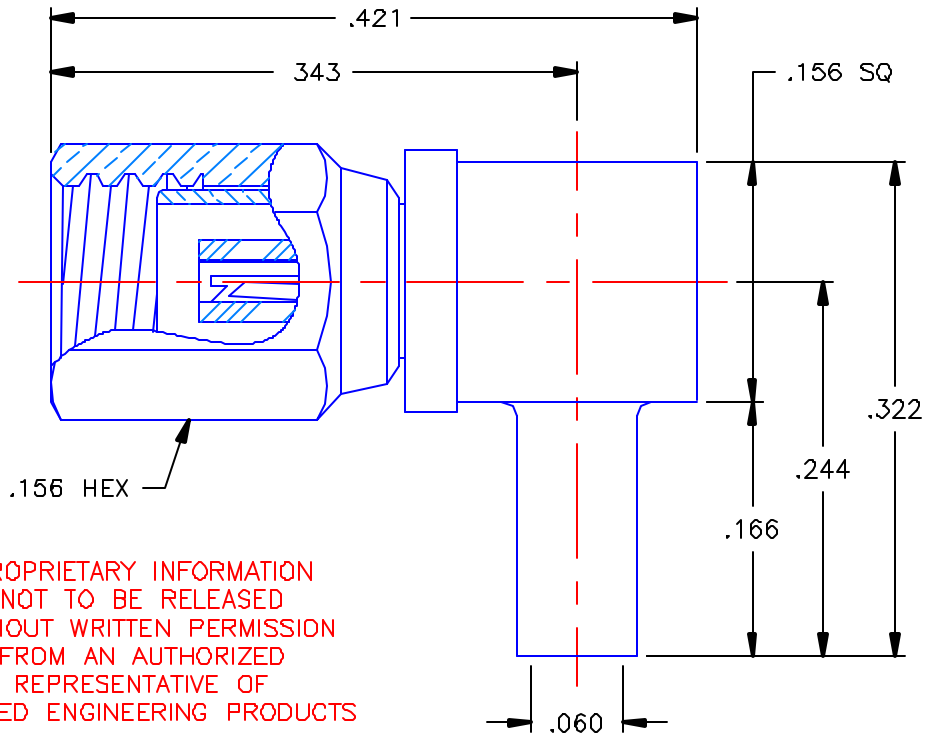


REVISIONS			
REV	DESCRIPTION	DATE	APPROVED
A	ECO #5520	09/16/04	A.D.M.



PROPRIETARY INFORMATION  
NOT TO BE RELEASED  
WITHOUT WRITTEN PERMISSION  
FROM AN AUTHORIZED  
REPRESENTATIVE OF  
APPLIED ENGINEERING PRODUCTS


**NOTES:**

**MATERIALS:**

1. DIRECT SOLDER BODY & CAP = BRASS PER ASTM B16, ALLOY C36000, TEMPER H02.
2. INSULATORS = VIRGIN WHITE TEFLON PER ASTM D1710, GRADE 1, TYPE I, CLASS "B"
3. ALL OTHER METAL PARTS = BERYLLIUM COPPER PER ASTM B196, ALLOY C17300, TEMPER TD04.

**FINISHES:**

1. CONTACT = GOLD PLATE PER MIL-G-45204, TYPE II, CLASS 1, GRADE C, OVER .00010 TO .00020 STRESS FREE SULFAMATE NICKEL PER QQ-N-290.
2. ALL OTHER METAL PARTS = GOLD PLATE PER MIL-G-45204, TYPE II, CLASS 0, GRADE C, OVER .00010 TO .00020 COPPER STRIKE PER MIL-C-14550.

UNLESS OTHERWISE SPECIFIED DIMENSIONS ARE IN INCHES TOLERANCES ON	DWN. A D.M.	DATE 09/15/04	 <b>APPLIED ENGINEERING PRODUCTS</b> 104 John W. Murphy Dr. New Haven, CT 06513
	CHKD:	DATE 09/16/04	
DECIMAL	ANGLE	D.N. D.J.C.	SSMC RIGHT ANGLE FEMALE PLUG DIRECT SOLDER TYPE FOR .056 S/R CABLE
		APVD: D.J.C.	
REFERENCE:	MATERIALS & FINISHES: SEE NOTES		SIZE A
ORIGINATOR: K.MILLER DATE: 06/03/88			FSCM NO. 19505
		DWG NO. 7105-1561-021	
		SCALE 8:1	REV A
		SHEET 1 OF 1	

7105-1561-021