

NEWNEX PROPRIETARY

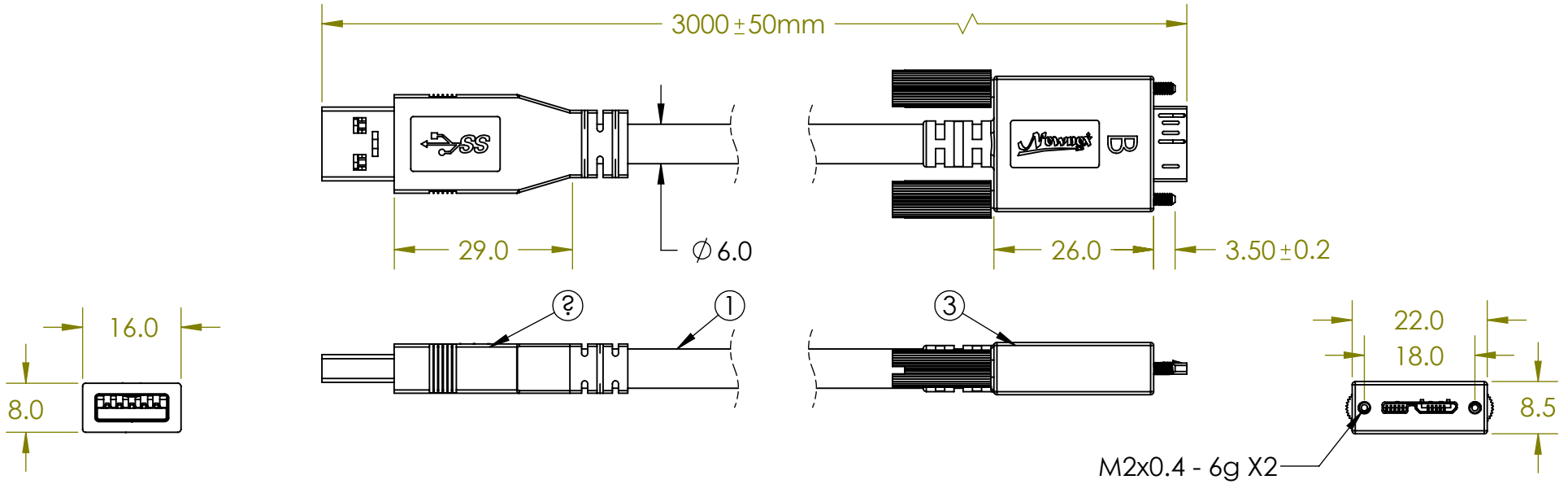
THIS DOCUMENT AND THE DATA DISCLOSED HEREIN OR WITHIN IS NOT TO BE REPRODUCED, USED, OR DISCLOSED IN WHOLE OR PART TO ANYONE WITHOUT THE WRITTEN PERMISSION OF NEWNEX

COMPANY NAME

CUSTOMER SIGNATURE

DATE

COMMENTS:



WIRING STRUCTURE					
USB 3.0 Standard-A Plug		Wire		USB 3.0 Micro-B Plug	
Pin Number	Signal Name	Wire Number	Signal Name	Pin Number	Signal Name
1	VBUS	1	PWR	1	VBUS
2	D-	2	UTP_D-	2	D-
3	D+	3	UTP_D+	3	D+
4	GND	4	GND_PWRrt	5	GND
5	StdA_SSRX-	5	SDP1-	6	MicB_SSTX-
6	StdA_SSRX+	6	SDP1+	7	MicB_SSTX+
7	GND_DRAIN	7 and 10	SDP1_Drain SDP2_Drain	8	GND_DRAIN
8	StdA_SSTX-	8	SDP2-	9	MicB_SSRX-
9	StdA_SSTX+	9	SDP2+	10	MicB_SSRX+
				4	ID
Shell	Shield	Braid	Shield	Shell	Shield

Notes:

1. Cable: USB 3.0, Black PVC Jacket.
2. Connector: USB 3.0 A Male.
3. Connector: USB 3.0 Micro B Male Locking.
4. Packaging: 1 Piece + PE bag.

Newnex Technology Corp.

UNLESS OTHERWISE SPECIFIED DIMENSIONS ARE IN MILLIMETERS TOLERANCES ARE:	PROJ: TITLE: USB 3.0 A Male to Micro B Male with Locking, 3m, Black.
FRACTIONS: X ± 0.5 ANGLES: ± 0.5°	SCALE: 1:1 REV: B
• NA XX ± 0.25 XXX ± 0.125	DATE: 6/21/2016 DRAWN BY: ZL APPROVED BY: FX
PART NUMBER: US2-AMCBI1-3M	CHECKED BY: SHEET 1 OF 1
REVISION COMMENTS: Drawing generated	