



Industrial



Test



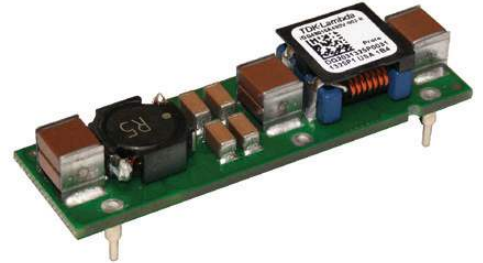
Comm



Broadcast

## 10A 75VDC EMI Filters

Features	Benefits
<ul style="list-style-type: none"> <li>• Exceptional Differential Mode Performance</li> <li>• Surface or Through Hole Mount Versions</li> <li>• Very Compact Size</li> </ul>	<ul style="list-style-type: none"> <li>• Alternative Solution to Discrete Design</li> <li>• Offers Flexibility of use</li> <li>• Saves Space on the pcb</li> </ul>



Specification		
Model	iDQ	
Rated Voltage	VDC	75VDC (100VDC for 100ms)
Rated Current	A	10A
Withstand Voltage	VDC	Terminals to Ground: 1500VDC
Leakage Current	mA	Not Applicable
DC Resistance	mΩ	Positive leg: 11.5, Negative leg: 6.5
Operating Temperature (1)	°C	-40°C to 120°C (see derating curve and measurement point)
Storage Temperature	°C	-55°C to 125°C
Safety Agency Certification	-	CE Mark
Size (LxWxH)	mm	50 x 15 x 10.8
Weight (Typ)	g	11.3
Warranty	yrs	3

Notes: 1) See full specification on website

## Model Selector

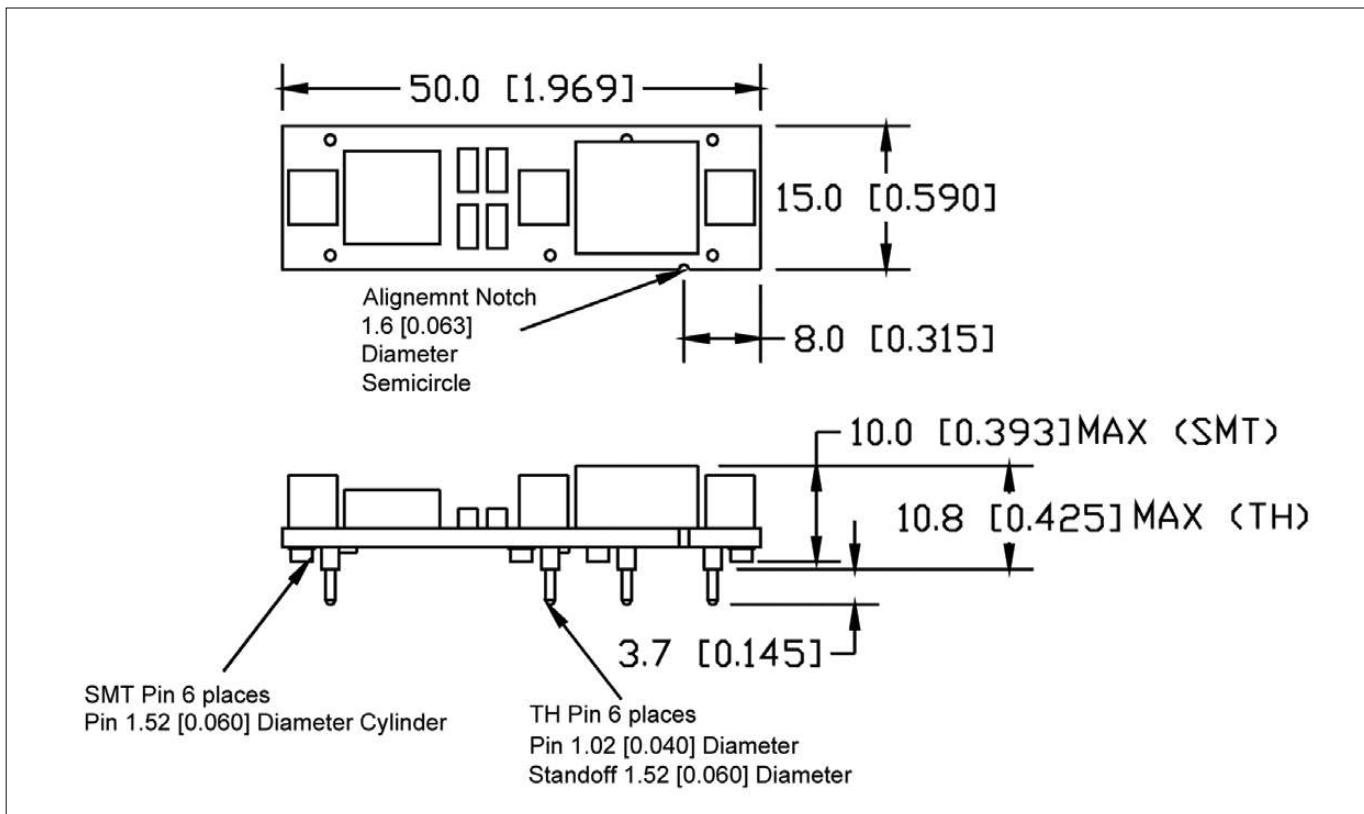
Model	Surface Mount	Through Hole Mount Pins	Pin 6 Populated*
iDQ48010A480V-001-R <sup>(2)</sup>	X		X
iDQ48010A480V-002-R		0.145"	
iDQ48010A480V-003-R <sup>(2)</sup>		0.145"	X

(2) Contact factory for status

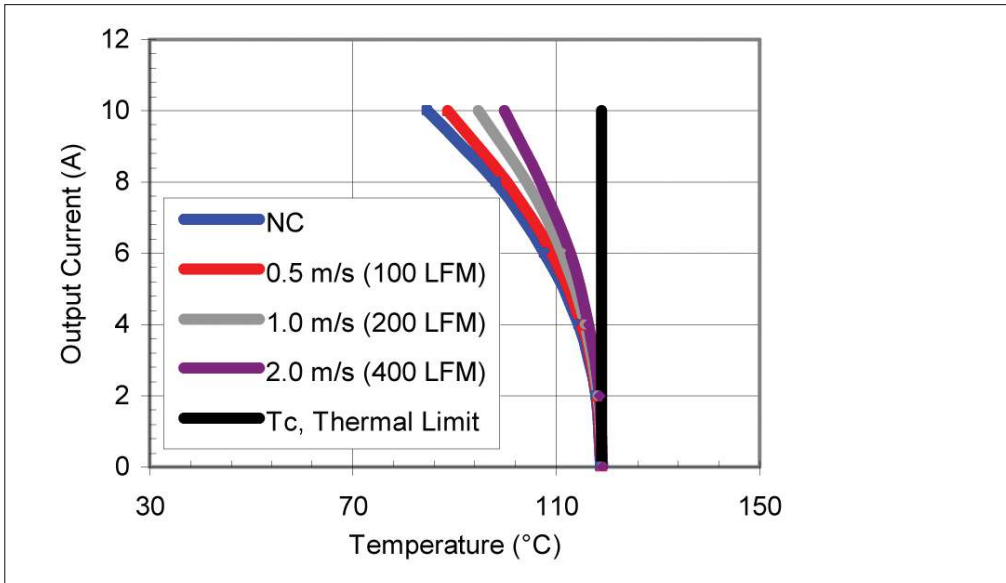
Preferred

\* Additional capacitance can be placed between pin 3 and pin 6, and also between pin 4 and pin 3 to increase the common mode noise attenuation.

## Outline Drawing iDQ Series

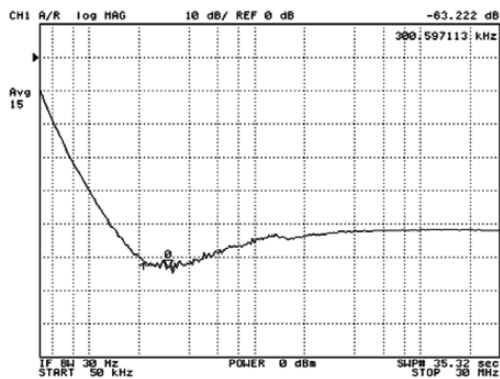


## Output Derating Curve iDQ Series

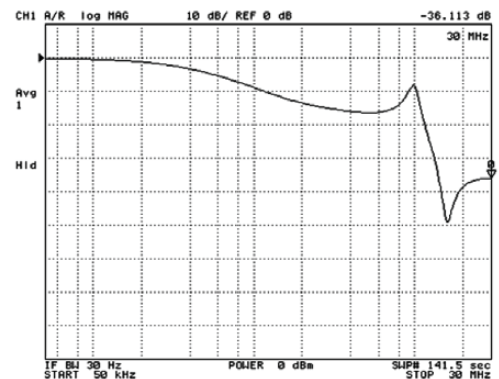


## Attenuation Characteristics iDQ Series

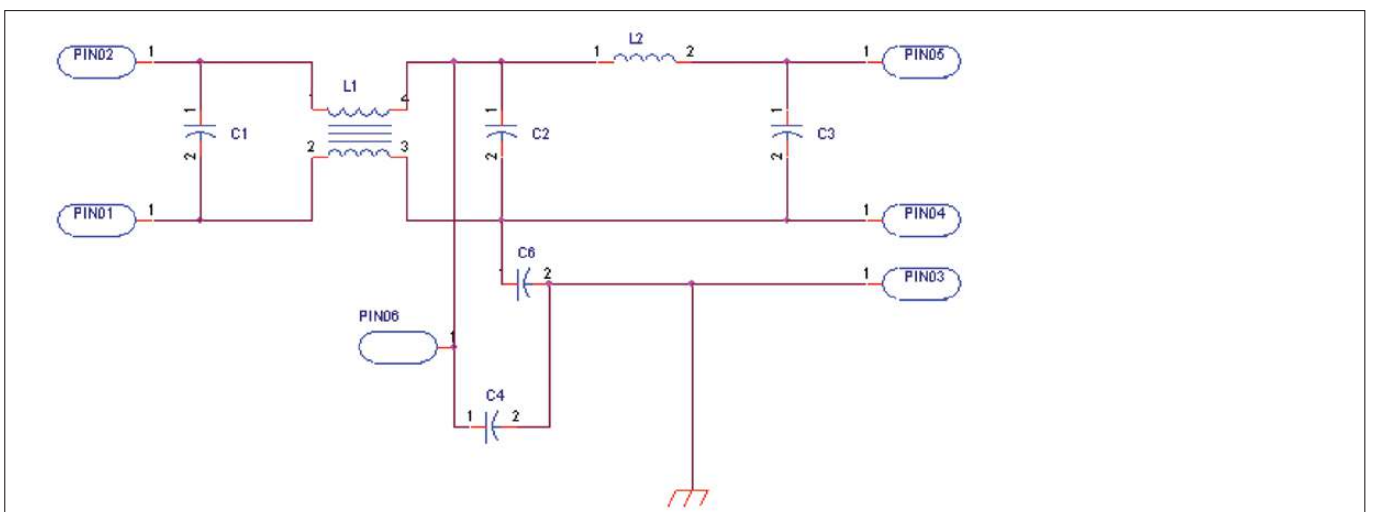
Typical Differential Mode Attenuation



Typical Common Mode Attenuation



## iDQ Series Circuit





## TDK-Lambda France SAS

Tel: +33 1 60 12 71 65  
 tlf.fr.powersolutions@tdk.com  
 www.emea.lambda.tdk.com/fr



## Italy Sales Office

Tel: +39 02 61 29 38 63  
 tlf.it.powersolutions@tdk.com  
 www.emea.lambda.tdk.com/it



## Netherlands

tlf.nl.powersolutions@tdk.com  
 www.emea.lambda.tdk.com/nl



## TDK-Lambda Germany GmbH

Tel: +49 7841 666 0  
 tlq.powersolutions@tdk.com  
 www.emea.lambda.tdk.com/de



## Austria Sales Office

Tel: +43 2256 655 84  
 tlq.at.powersolutions@tdk.com  
 www.emea.lambda.tdk.com/at



## Switzerland Sales Office

Tel: +41 44 850 53 53  
 tlq.ch.powersolutions@tdk.com  
 www.emea.lambda.tdk.com/ch



## Nordic Sales Office

Tel: +45 8853 8086  
 tlq.dk.powersolutions@tdk.com  
 www.emea.lambda.tdk.com/dk



## TDK-Lambda UK Ltd.

Tel: +44 (0) 12 71 85 66 66  
 tlu.powersolutions@tdk.com  
 www.emea.lambda.tdk.com/uk



## TDK-Lambda Ltd.

Tel: +9 723 902 4333  
 tli.powersolutions@tdk.com  
 www.emea.lambda.tdk.com/il-en



## TDK-Lambda Americas

Tel: +1 800-LAMBDA-4 or 1-800-526-2324  
 tla.powersolutions@tdk.com  
 www.us.lambda.tdk.com



## TDK Electronics do Brasil Ltda

Tel: +55 11 3289-9599  
 sales.br@tdk-electronics.tdk.com  
 www.tdk-electronics.tdk.com/en



## TDK-Lambda Corporation

Tel: +81-3-6778-1113  
 www.jp.lambda.tdk.com



## TDK-Lambda (China) Electronics Co. Ltd.

Tel: +86 21 6485-0777  
 tlc.powersolutions@tdk.com  
 www.lambda.tdk.com.cn



## TDK-Lambda Singapore Pte Ltd.

Tel: +65 6251 7211  
 tfs.marketing@tdk.com  
 www.sg.lambda.tdk.com



## TDK India Private Limited, Power Supply Division

Tel: +91 80 4039-0660  
 mathew.philip@tdk.com  
 www.sg.lambda.tdk.com

