

# SPECIFICATIONS

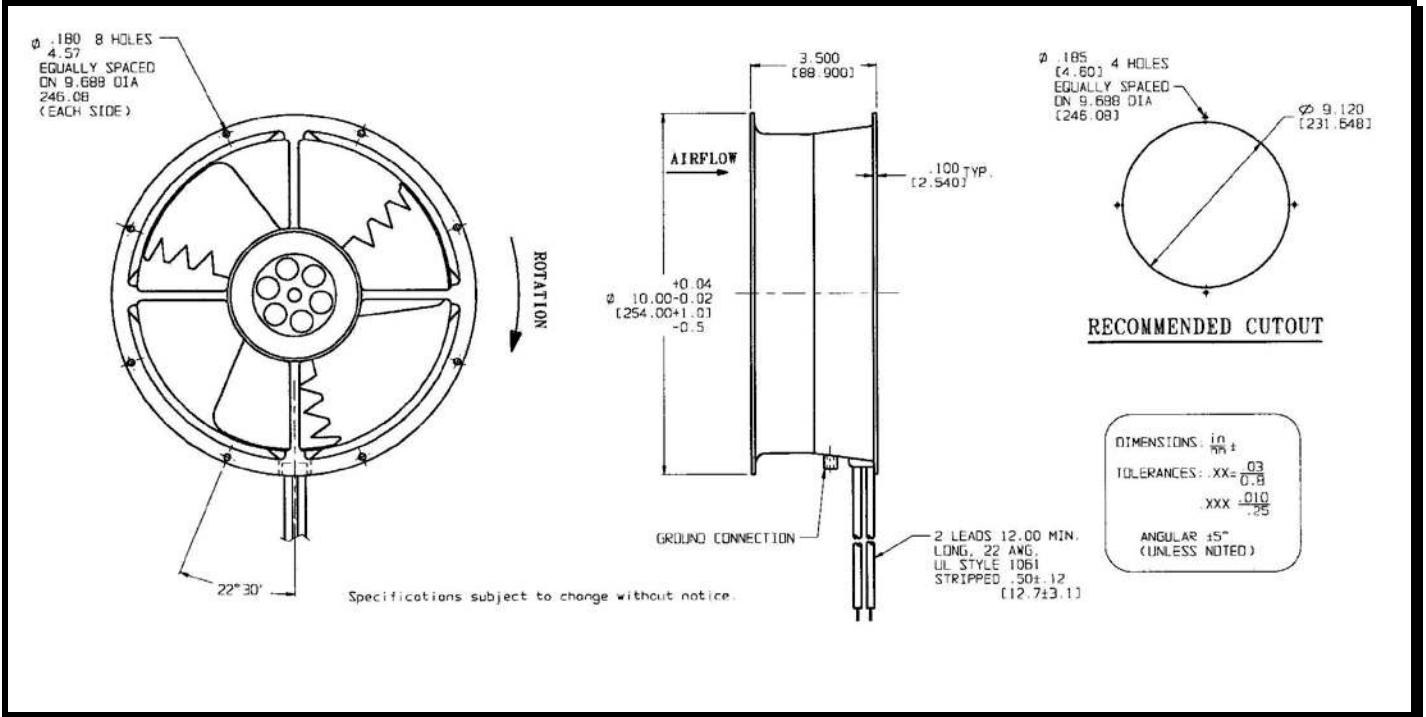
Preliminary Data

Model Number: CD48B7  
Part Number: 19040161A

Version: 00  
May 19, 2004



## Mechanical Drawing:



### Motor:

Nominal Voltage = 48 vdc  
Operating Voltage Range = 24 - 56 vdc  
Nominal Running Current = 0.630 amps  
Locked Rotor Current = 1.500 amps  
Running Power = 30.2 watts  
Average Speed = 1640 rpm  
Bearings = Ball  
Air Flow = 550 cfm  
Acoustic = 49.1dBA

### Construction:

Venturi: Die-Cast Aluminum, Black  
Propeller: Polycarbonate, Black, UL 94V-0

### Life Expectancy:

This fan is designed for continuous duty life of 60,000 hours at 40°C.

### Agency Approvals:

UL, CUR, CE

### Additional Features:

Brushless DC Motor  
Polarity Protected  
Locked Rotor Protection  
Automatic Restart Capability  
Operating Temperature: -10°C to 70°C  
Storage Temperature: -40°C to 85°C

### Tachometer Specifications:

Output: 5 volt TTL Compatible  
I<sub>c</sub>: 5 vdc Typical  
Pulses Per Revolution: 2  
Isolated: No

### Termination:

12" Lead wires, 22 AWG, UL 1061  
Red = Power (+)  
Black = Return (-)  
Blue/White = Tach (Output)