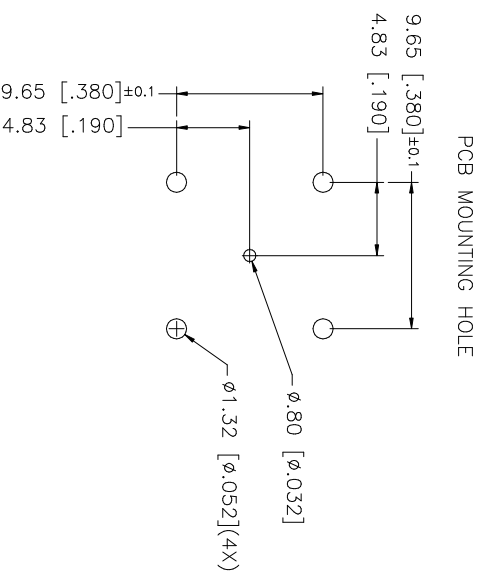
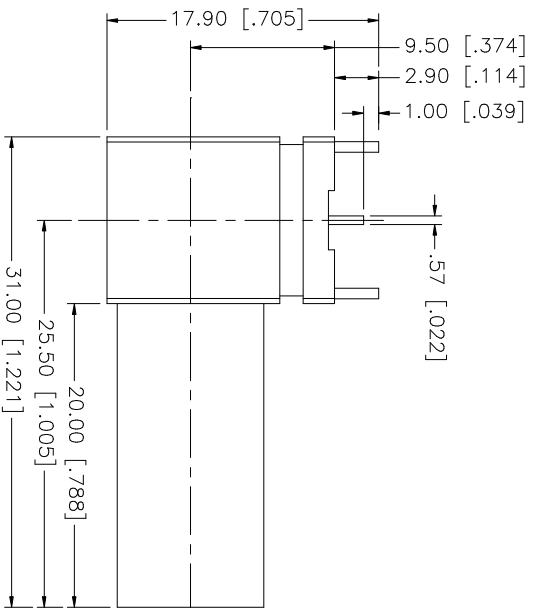
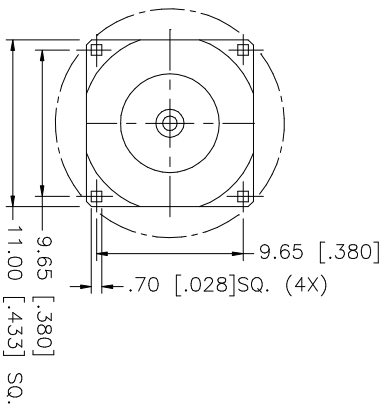


REV.	DATE	DESCRIPTION
NC	06/10/04	INITIAL RELEASE
A	08/13/05	MODIFY CONTACT PIN AND P.C.B. MOUNTING LEGS
B	09/15/05	MODIFY CONTACT PIN HEIGHT TO 1.00mm



QTY	FINISH	MATERIAL	DESCRIPTION
1	NICKEL	BRASS	HOUSING
1	NATURAL	TEFLON	INSULATOR
2	GOLD	PHOS. BRONZE	CONTACT PIN
1	NATURAL	TEFLON	INSULATOR
1	NICKEL	BRASS	BODY
1	BRT. TIN	BRASS	HOUSING

UNLESS OTHERWISE SPECIFIED, DIMENSIONS ARE IN MILLIMETERS. DIMENSIONS IN INCHES ARE IN INCHES AND FOR CUSTOMER REFERENCE ONLY.	UNLESS OTHERWISE SPECIFIED, DIMENSIONS ARE IN MILLIMETERS. DIMENSIONS IN INCHES ARE IN INCHES AND FOR CUSTOMER REFERENCE ONLY.
TOLERANCES FOR MILLIMETERS ARE:	TOLERANCES FOR INCHES ARE:
0.3 - 8mm ± 0.20mm	.020 - .315 = ± 0.007"
8 - 30mm ± 0.40mm	.315 - 1.180 = ± 0.015"
30 - 120mm ± 0.50mm	1.180 - 4.724 = ± 0.020"

APPROVALS	DATE
DRAWN G.R.S.	09/15/05
CHECKED	
ISSUED	
SHEET 1 OF 1	

PART DESCRIPTION	PART NO.	DWG. NO.	REV.	SIZE	SCALE
<b>Amphenol Connex</b> BNC R/A PCB MOUNT JACK (75ohm) (BAYONET STUDS REMOVED)	112659-75-10	112659-75-10.DWG	B	A	NA