



PART NAME

INTERNAL PLATE

PART No.

MPX-510 & MPX-510-A

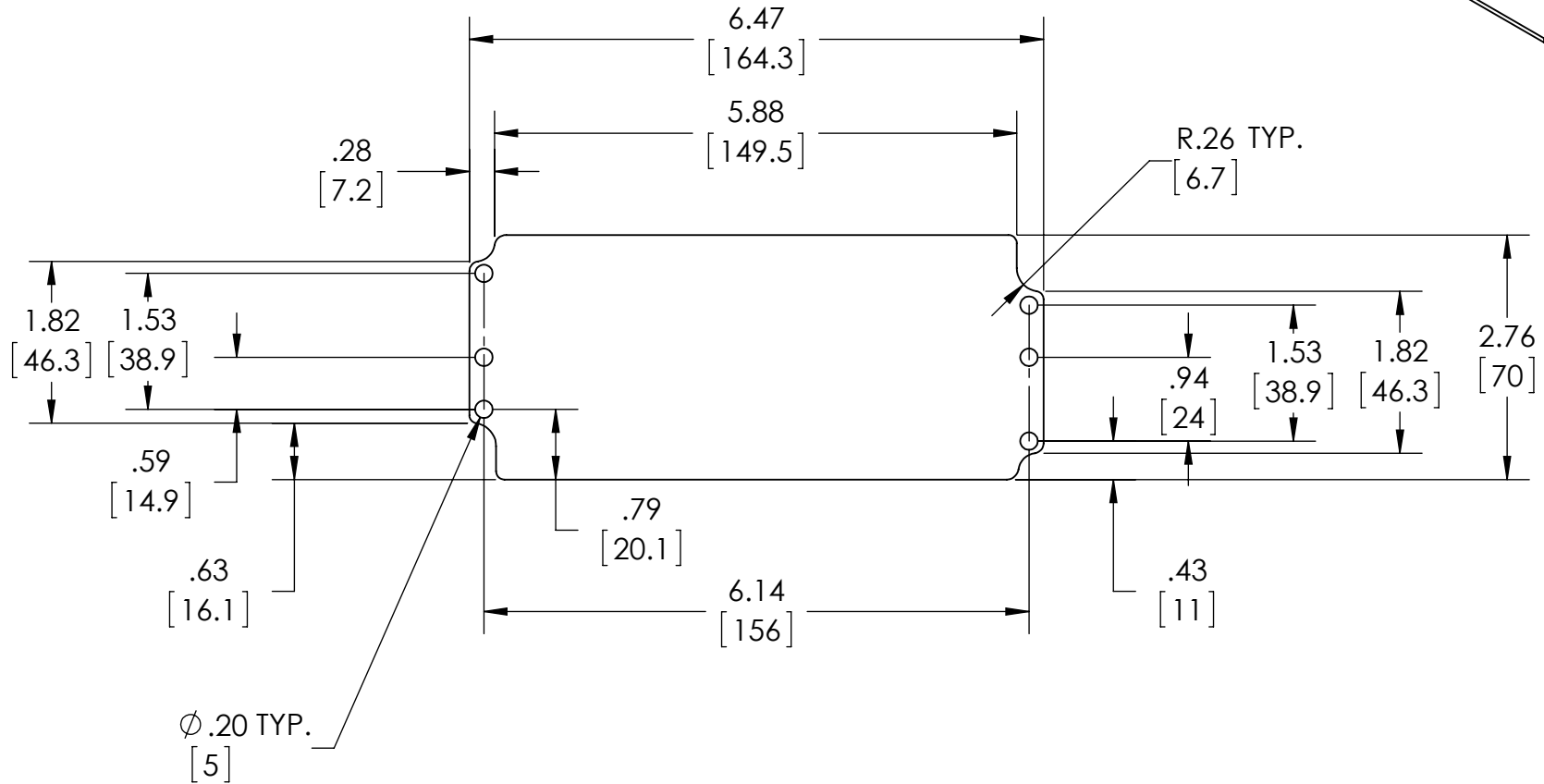
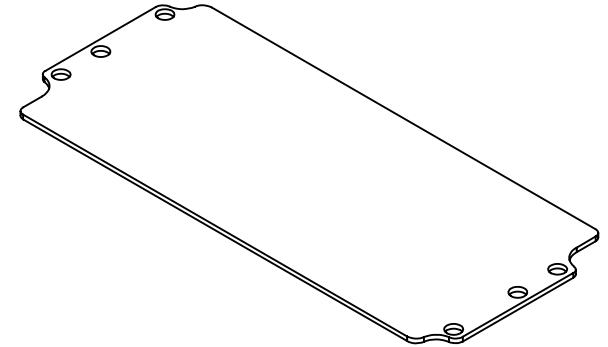
REV. DATE

10-27-15

MATERIAL: (-A SUFFIX) .060 [1.5] THK. ALUMINUM (3003-H14) NATURAL FINISH
(NO SUFFIX) 16 GA. C.R.S. ZINC PLATE

DRAWING FOR REFERENCE
WE RESERVE THE RIGHT TO MAKE CHANGES TO OUR
STANDARD PRODUCTS. PLEASE CONSULT WITH BUD INDUSTRIES
PRIOR TO USING THIS DRAWING FOR DESIGN PURPOSE.

DIMENSIONS IN INCH[MM]



WILL FIT ENCLOSURE: #ATX-10510