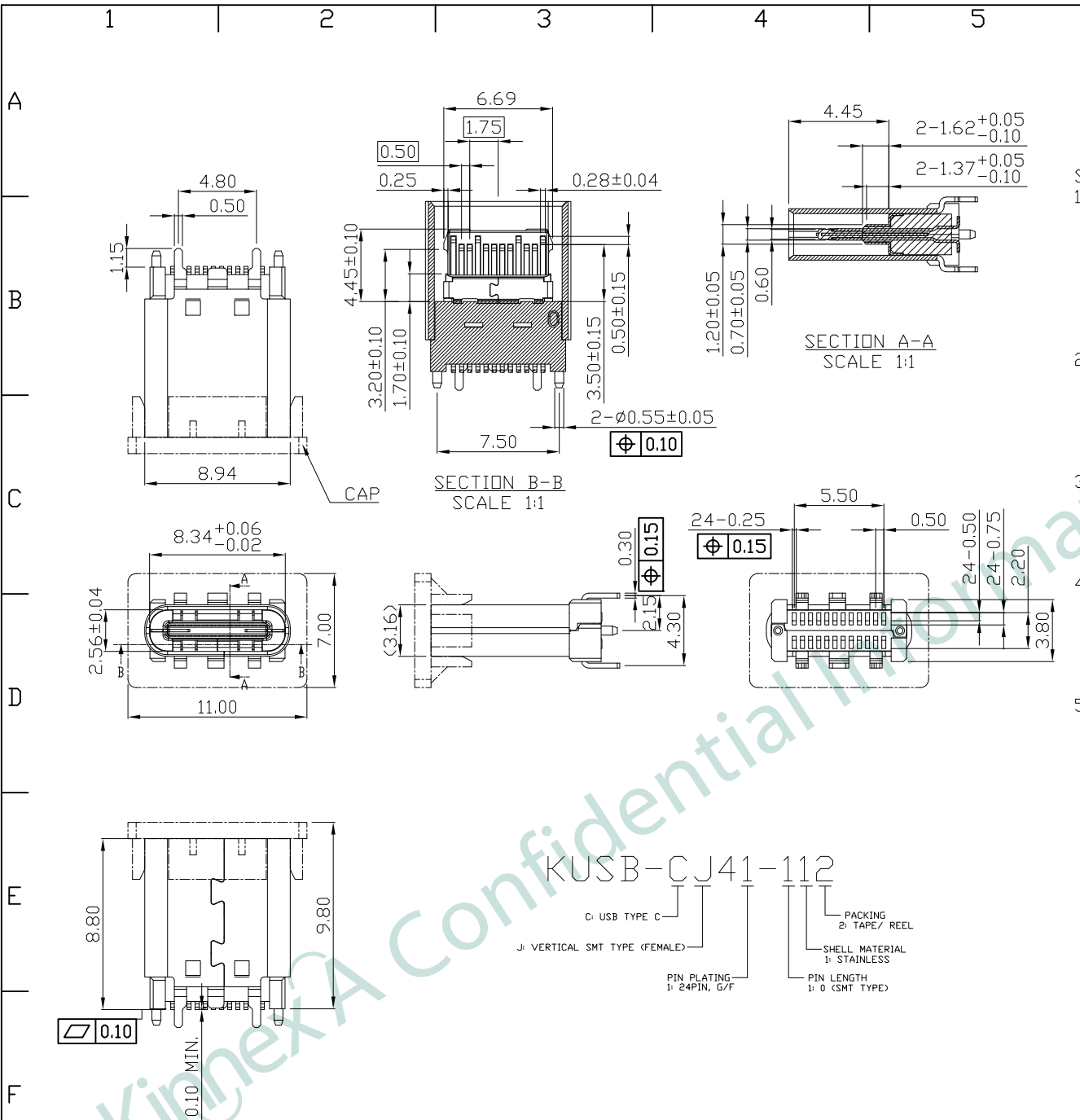


REV.	DATE	DESCRIPTION
01	Sep. 11, '17	1st RELEASE



SPECIFICATION

- MATERIAL:**
 INSMOLD HOUSING: SYNTHETIC RESIN, COLOR-BLACK
 CONTACT: COPPER ALLOY, GOLD FLASH PLATING,
 50μ" MIN NICKEL, 100μ" MIN TIN ON SODLER AREA
 SHELL: STAINLESS, 50μ" MIN NICKEL
 SHIELD: STAINLESS
- STANDARD DATA**
RATING CURRENT:
 5.0A FOR VBUS (I.E.,PINS A4,A9,B4,B9);
 1.25A FOR Vconn AND GND (I.E.,PINS B5,A1,A12,B1,B12);
 0.25A FOR ALL THE OTHER CONTACTS.
- ELECTRICAL**
 INSULATOR RESISTANCE: 100M ohms MIN.
 WITHSTANDING VOLTAGE: 100 VAC / minute
 CONTACT RESISTANCE: INITIAL 40mohms MAX.
 AFTER 50mohms MAX.
- MECHANICAL**
 MATING FORCE: 5~20N
 UNMATING FORCE: INITIAL 8~20N
 AFTER 6~20N
 DURABILITY: 10000 CYCLES MIN.
- UNSPECIFIED TOLERANCE:** .XX ±0.20
 .X ±0.30

KUSB-CJ41-112

C: USB TYPE C
 J: VERTICAL SMT TYPE (FEMALE)

PIN PLATING
 1: 24PIN, G/F

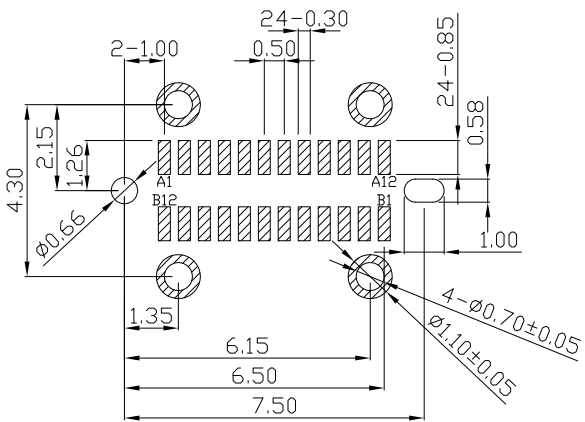
PIN LENGTH
 1: 0 (SMT TYPE)

PACKING
 2: TAPE/ REEL

SHELL MATERIAL
 1: STAINLESS

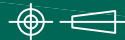
PART NO		KUSB-CJ41-112		
TITLE	USB TYPE-C(F) VERTICAL SMT TYPE, 24PIN			
REV : 01				
UNIT	DRAWN	CHKD	DATE	SHEET
mm[inch]	CINDY	DANIEL	Sep. 11, '17	1 of 3

USB TYPE-C FULL-FEATURED RECEPTACLE
INTERFACE PIN ASSIGNMENTS



RECOMMENDED P.C.B. LAYOUT
SCALE:2:1

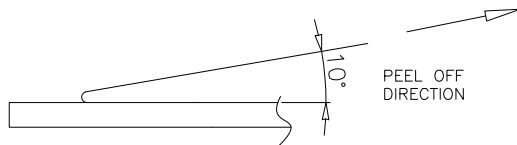
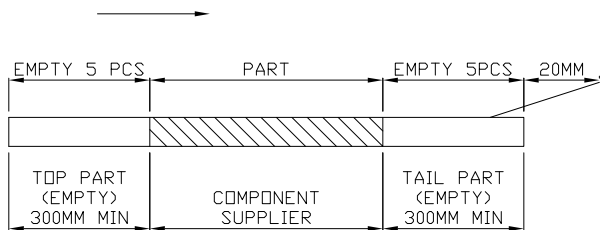
PIN	SIGNAL NAME	DESCRIPTION	PIN	SIGNAL NAME	DESCRIPTION
A1	GND	GROUND RETURN	B12	GND	GROUND RETURN
A2	SSTXp1	POSITIVE HALF OF FIRST SUPERSPEED TX DIFFERENTIAL PAIR	B11	SSRXp1	POSITIVE HALF OF FIRST SUPERSPEED RX DIFFERENTIAL PAIR
A3	SSTXn1	NEGATIVE HALF OF FIRST SUPERSPEED TX DIFFERENTIAL PAIR	B10	SSRXn1	NEGATIVE HALF OF FIRST SUPERSPEED RX DIFFERENTIAL PAIR
A4	VBUS	BUS POWER	B9	VBUS	BUS POWER
A5	CC1	CONFIGURATION CHANNEL	B8	SBU2	SIDEBAND USE (SBU)
A6	Dp1	POSITIVE HALF OF THE USB 2.0 DIFFERENTIAL PAIR-POSITION 1	B7	Dn2	NEGATIVE HALF OF THE USB 2.0 DIFFERENTIAL PAIR-POSITION 2
A7	Dn1	NEGATIVE HALF OF THE USB 2.0 DIFFERENTIAL PAIR-POSITION 1	B6	Dp2	POSITIVE HALF OF THE USB 2.0 DIFFERENTIAL PAIR-POSITION 2
A8	SBU1	SIDEBAND USE (SBU)	B5	CC2	CONFIGURATION CHANNEL
A9	VBUS	BUS POWER	B4	VBUS	BUS POWER
A10	SSRXn2	NEGATIVE HALF OF SECOND SUPERSPEED RX DIFFERENTIAL PAIR	B3	SSTXn2	NEGATIVE HALF OF SECOND SUPERSPEED TX DIFFERENTIAL PAIR
A11	SSRXp2	POSITIVE HALF OF SECOND SUPERSPEED RX DIFFERENTIAL PAIR	B2	SSTXp2	POSITIVE HALF OF SECOND SUPERSPEED TX DIFFERENTIAL PAIR
A12	GND	GROUND RETURN	B1	GND	GROUND RETURN

 PART NO KUSB-CJ41-112				
TITLE	USB TYPE-C(F) VERTICAL SMT TYPE, 24PIN			
REV : 01				
UNIT	DRAWN	CHKD	DATE	SHEET
mm[inch]	CINDY	DANIEL	Sep. 11, '17	2 of 3

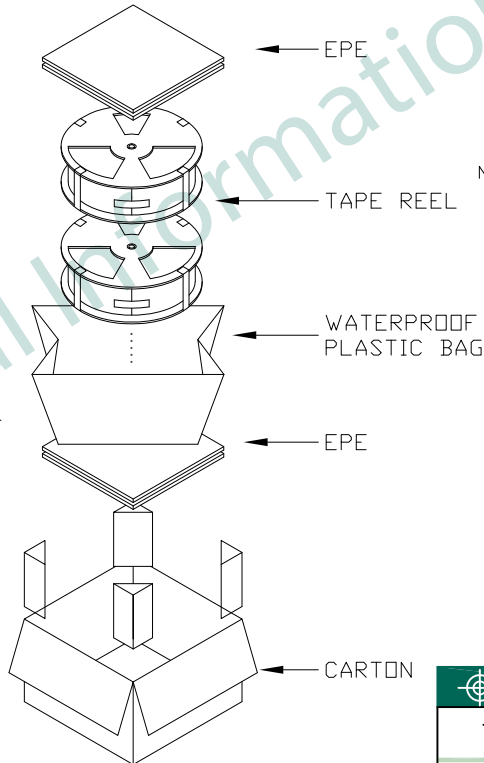
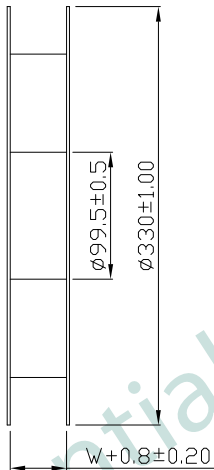
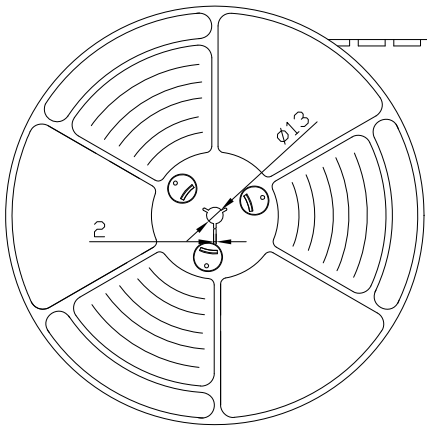
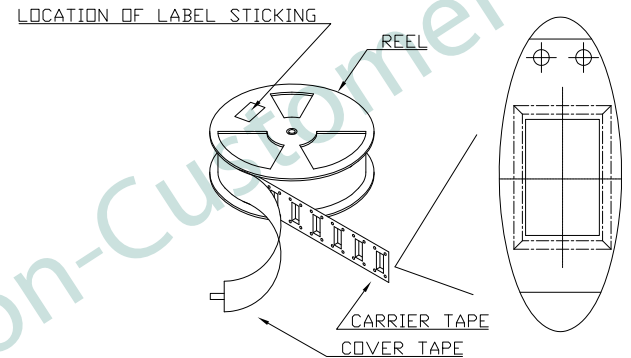
NOTES

1. LEAD TAPE LENGTH
PULL OUT DIRECTION

2. PEELING OFF FORCE OF TOP TAPE: 0.1~1.3N(10.2gf~130gf)
THIS REQUIREMENT SHOULD BE APPLIED AT SHIPMENT:
PEELING OFF SHOULD NOT BE ALLOWED DURING TRANSPORTATION

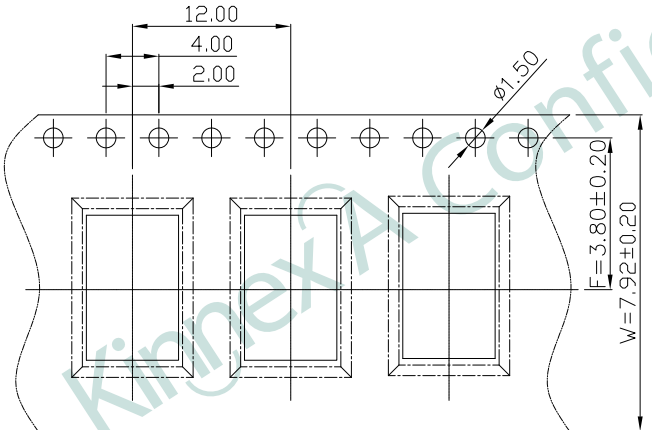


AT SMALL POSITIONING HOLE OF THE CARRIER TAPE SIDE.



NOTE:

1. PACKING Q'TY OF EACH REEL & CARTON AS BELOW TABLE SHOWN.
2. USE COVER TAPE TO COVER AND HOT MELT MACHINE TO SEAL UP.
3. EVERY CARTON USE 2PCS EPE.
4. PUT REELS IN THE CARTON AND USE ADHESIVE TAPE TO SEAL UP.



PACKING CAPACITY		
PCS/REEL	REELS/CARTON	PCS/CARTON
400	12	4800

PART NO		KUSB-CJ41-112		
TITLE		USB TYPE-C(F) VERTICAL SMT TYPE, 24PIN		
REV : 01				
UNIT	DRAWN	CHKD	DATE	SHEET
mm[inch]	CINDY	DANIEL	Sep. 11, '17	3 of 3