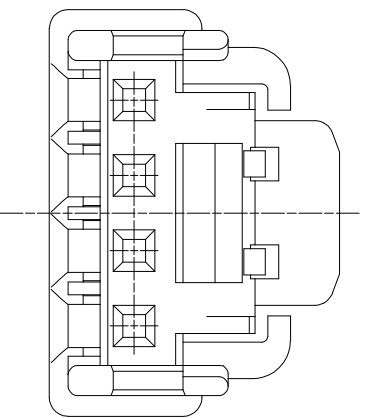
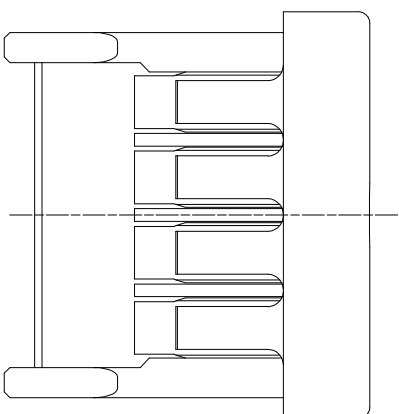
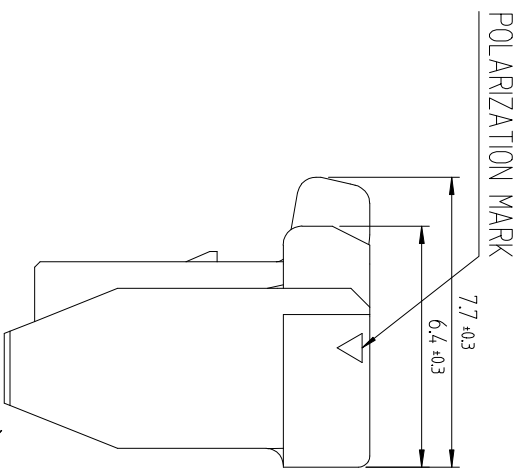
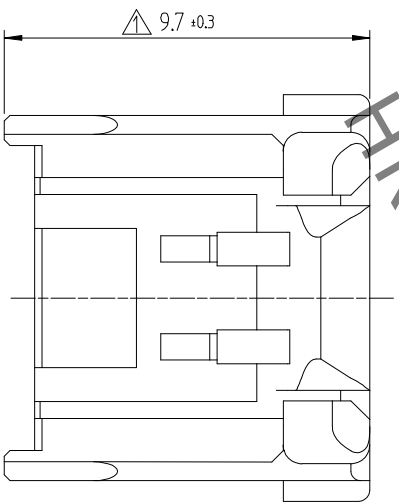
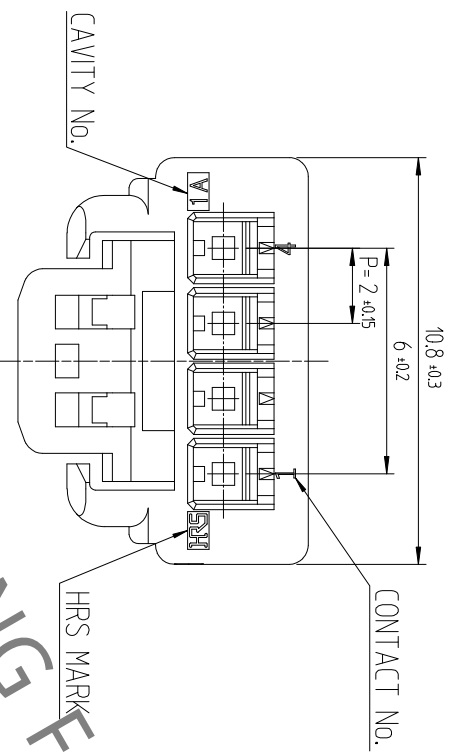


△数 COUNT	訂正事項 DESCRIPTION OF REVISIONS	檢査 CHKD	年月日 DATE	△数 COUNT	訂正事項 DESCRIPTION OF REVISIONS	檢査 CHKD	年月日 DATE
1	RE-6-1150	K.I.Y	18. 07. 04	△			.. .
2	RE-6-1579	K.I.Y	20. 01. 23	△			.. .



1

NOTE 1. 1PACK CONTAINS 100PCS.

△2. UL(File No. E132750) AUTHORIZATION ARTICLE.

C-UL(File No. E132750) AUTHORIZATION ARTICLE.



NO.	MATERIAL	FINISH/REMARKS	NO.	MATERIAL	FINISH/REMARKS
1	PBT	UL94V-0, BLACK			

DRAWN	DESIGNED	CHECKED	APPROVED	RELEASED
CHOI J.S 17.12.22	CHOI J.S 17.12.22	LIM S.M 17.12.22	KANG T.S 17.12.22	ENG DEPT 20.02.12

SCALE 5:1 UNITS mm	DRAWING NO. EDC3-632506	PART NO. DF51K-4S-2C (800)
	HRS HIROSE KOREA CO.,LTD.	CODE NO CL 6652-0022-1-800

1/1