
Qi-based wireless power receiver optimized for wearable applications up to 2.5 W using STWLC33



Features

- STWLC33 evaluation board for wearable applications using Würth coil 760308101309
- Up to 2.5 W output power
- Operates as voltage source
- Foreign object detection (FOD)
- I²C interface for communication with the host system
- Parameters and features adjustable via NVM memory
- Cost-effective 3-layer PCB
- 10x6 mm application area
- Complete kit (IC, firmware)
- RoHS compliant

Description

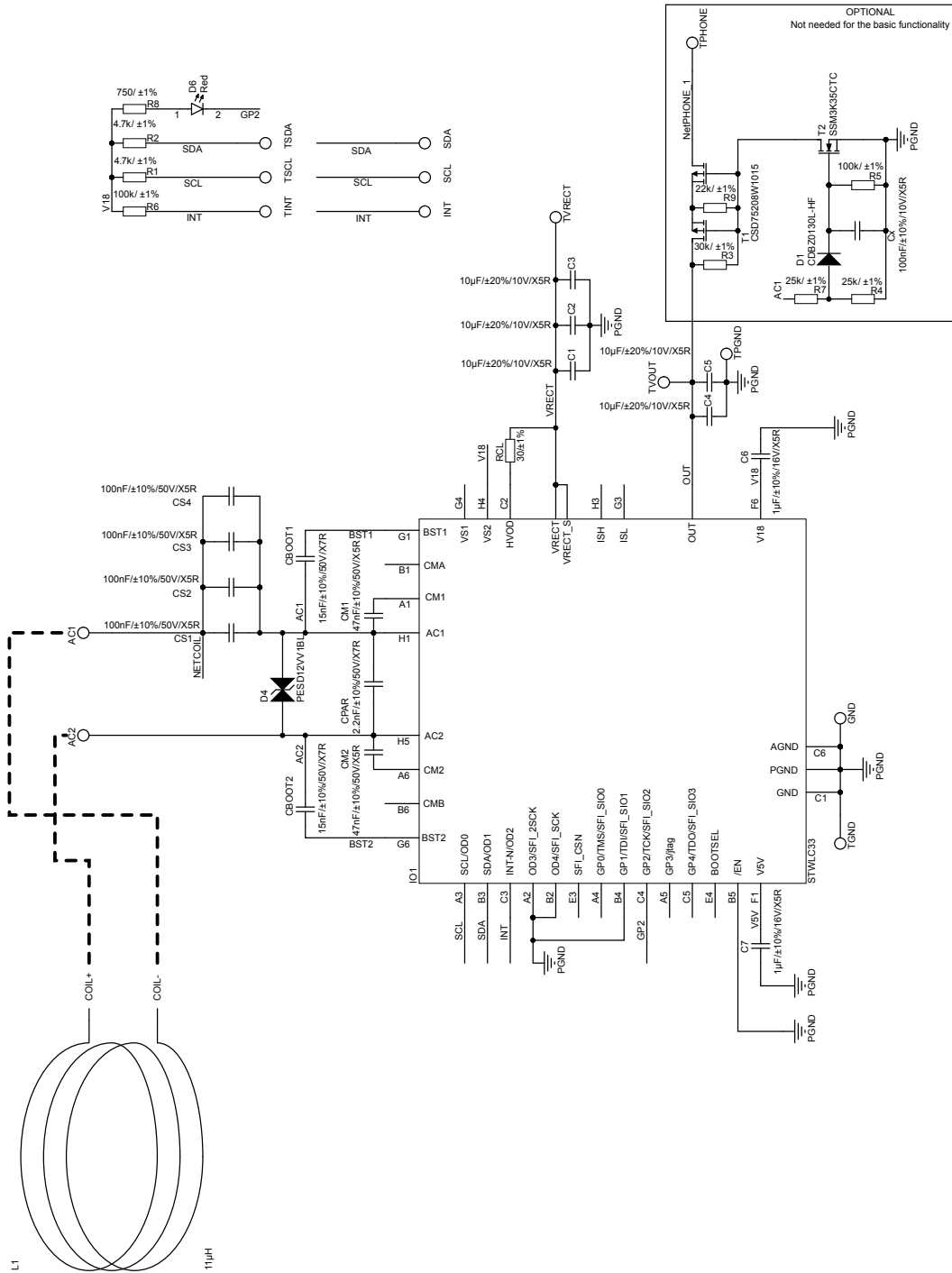
The [STEVAL-ISB043V1](#) is a Qi-based 2.5 W wireless power receiver evaluation board based on the [STWLC33](#) and suitable for wearable applications.

The STEVAL-ISB043V1 provides a complete kit, which includes the STWLC33 IC, firmware, layout and tools.

The device is powered by the RX coil attached to a 1.3 mm thick plastic fixture.

The STWLC33 firmware gives you the flexibility to modify parameters and settings to ensure proper STWLC33 use in the final application.

1 Schematic diagrams

Figure 1. STEVAL-ISB043V1 circuit schematic


Revision history

Table 1. Document revision history

Date	Version	Changes
12-Dec-2017	1	Initial release.

IMPORTANT NOTICE – PLEASE READ CAREFULLY

STMicroelectronics NV and its subsidiaries (“ST”) reserve the right to make changes, corrections, enhancements, modifications, and improvements to ST products and/or to this document at any time without notice. Purchasers should obtain the latest relevant information on ST products before placing orders. ST products are sold pursuant to ST’s terms and conditions of sale in place at the time of order acknowledgement.

Purchasers are solely responsible for the choice, selection, and use of ST products and ST assumes no liability for application assistance or the design of Purchasers’ products.

No license, express or implied, to any intellectual property right is granted by ST herein.

Resale of ST products with provisions different from the information set forth herein shall void any warranty granted by ST for such product.

ST and the ST logo are trademarks of ST. All other product or service names are the property of their respective owners.

Information in this document supersedes and replaces information previously supplied in any prior versions of this document.

© 2017 STMicroelectronics – All rights reserved