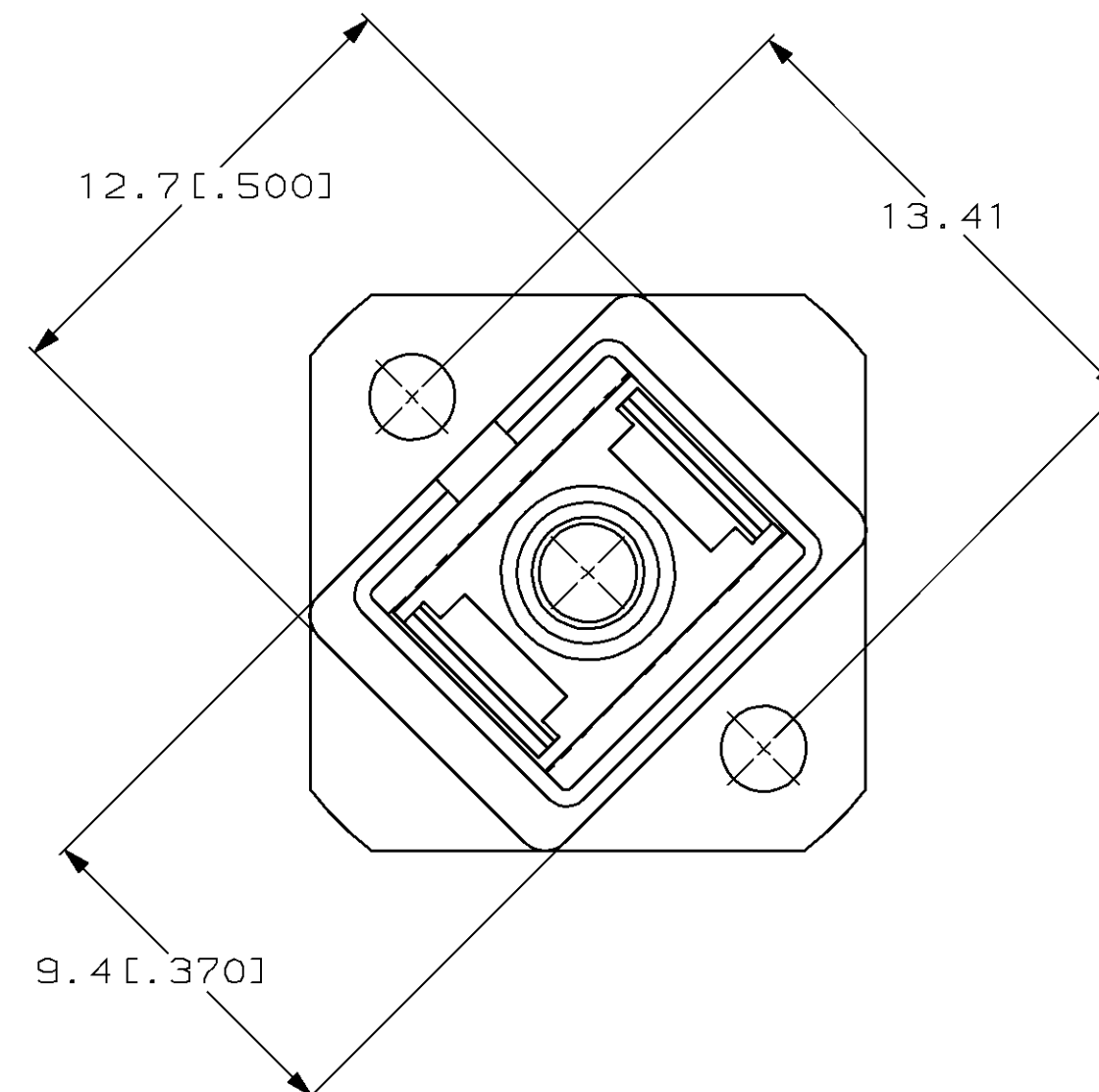
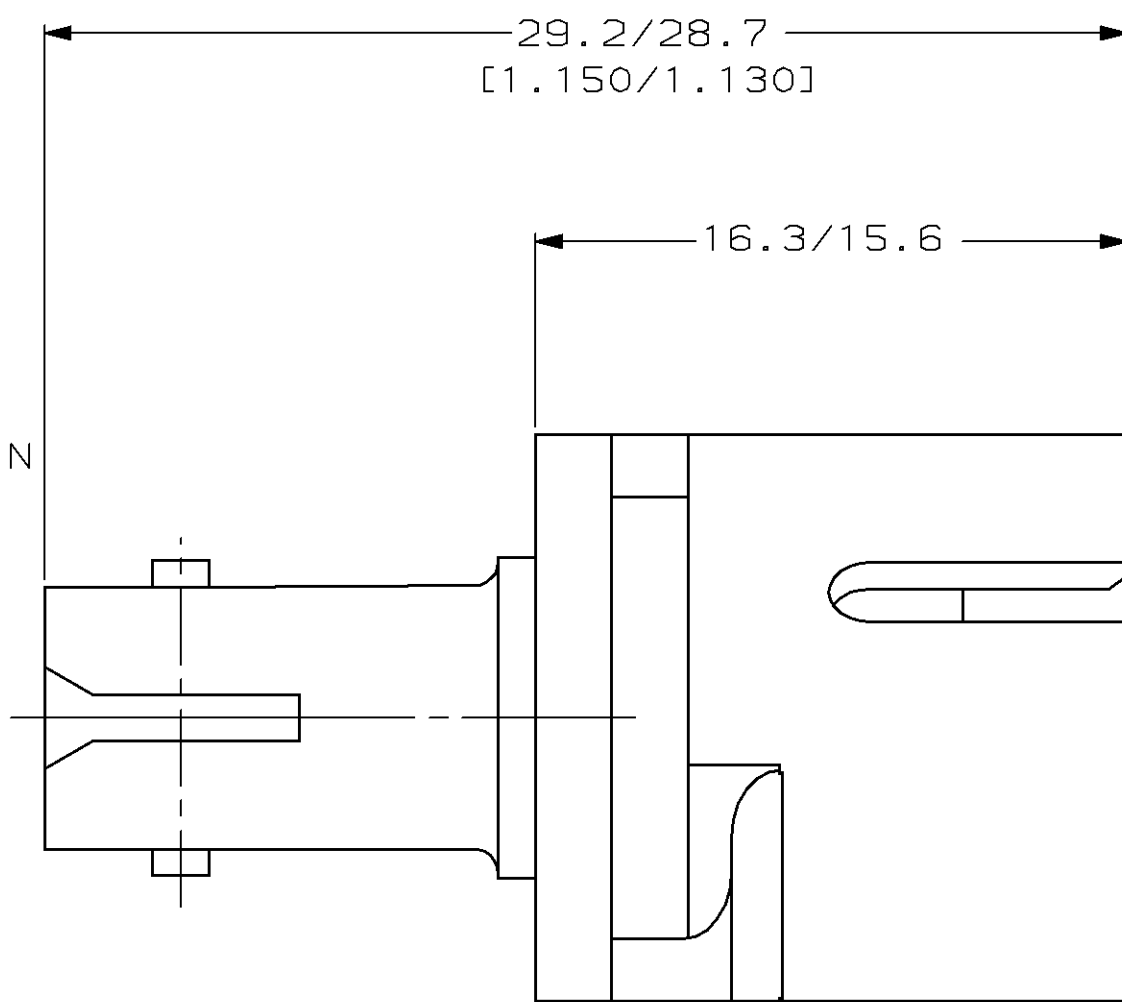
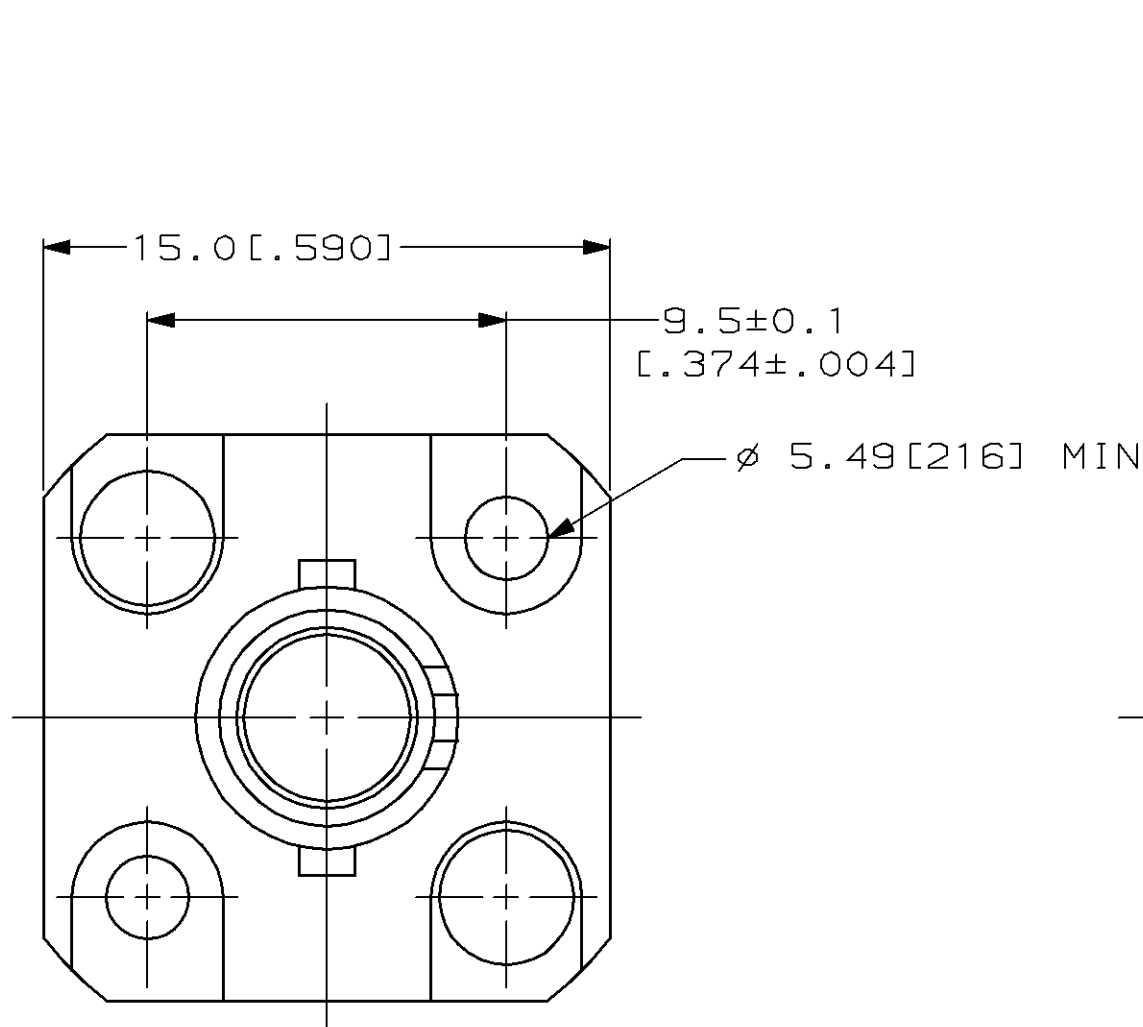
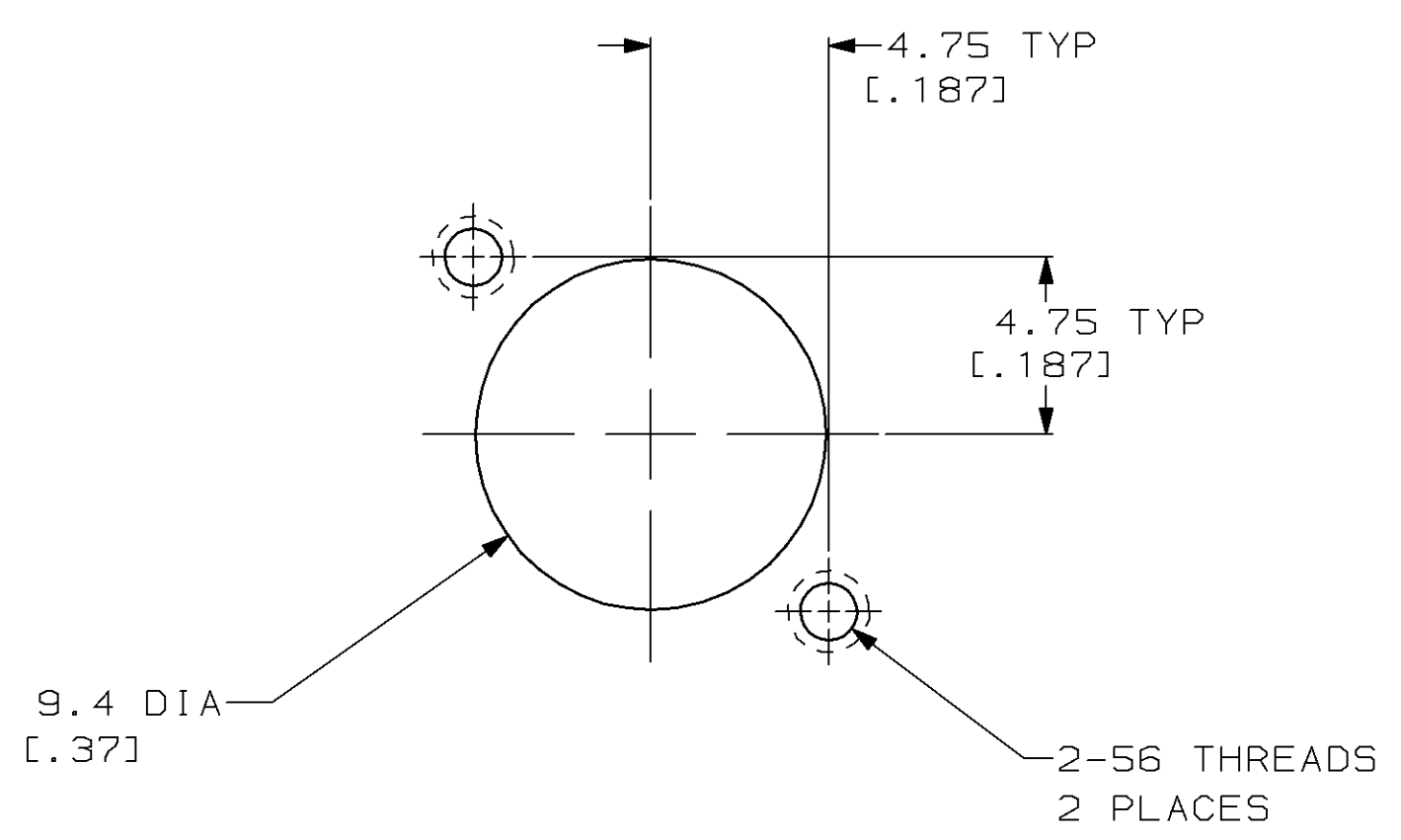


LOC	DIST	P	F	ZONE	LTR	REVISIONS	DATE	APPD
CE	16				C	REVISE PER 0A00-0567-98	14OCT98	JM/SB



- 1 MATERIAL:  
 BODY: ZINC DIECAST  
 SLEEVE: METAL  
 SLEEVE: CERAMIC  
 DUST COVER: VINYL AND THERMOPLASTIC RUBBER
2. DUST COVERS NOT SHOWN.



RECOMMENDED MOUNTING PATTERN

METRIC

THIS DRAWING IS A CONTROLLED DOCUMENT FOR AMP INCORPORATED. IT IS SUBJECT TO CHANGE AND THE CONTROLLING ENGINEERING ORGANIZATION SHOULD BE CONTACTED FOR THE LATEST REVISION.

DO NOT SCALE PRINT. UNLESS SPECIFIED DIMENSIONS IN MM [INCHES]. TOLERANCES ON: 2 PLC DEC ± 0.13 [0.005] 3 PLC DEC ± - ANGLES ± -	DR 6-24-94 B.BRIGGS
MATERIAL	CHK 6-24-94 B.BRIGGS
1	APPD 6-24-94 S.WILCOX
	APPD 6-24-94 D.STAKEM
FINISH	PRODUCT SPEC
BODY: NICKEL	APPLICATION SPEC
	WEIGHT -

CERAMIC	503638-2
METAL	503638-1
ALIGNMENT SLEEVE	PART NO
<b>AMP</b> AMP Incorporated Harrisburg, PA 17105-3608	
NAME ASSEMBLY, COUPLING BUSHING, 2.5mm BAYONET TO AMP SC	
SIZE	CAGE CODE
C	00779
DRAWING NO	G=503638
SCALE	SHEET
5:1	1 OF 1

CUSTOMER DRAWING