

PRODUCT NUMBER
98424-X52-XX-XXXLF

PLATING
S = 0.38µm GOLD/GXT ON CONTACT AREA
3.81µm TIN LEAD ON TAIL
G = 0.76µm GOLD/GXT ON CONTACT AREA
3.81µm TIN LEAD ON TAIL.
F = GOLD FASH ON CONTACT AREA
3.81µm TIN LEAD ON TAIL.

WHEN REQUIRED, ADD SUFFIX LETTER "LF" INDICATES THE PRODUCT IS RoHS COMPATIBLE, SEE NOTE 8

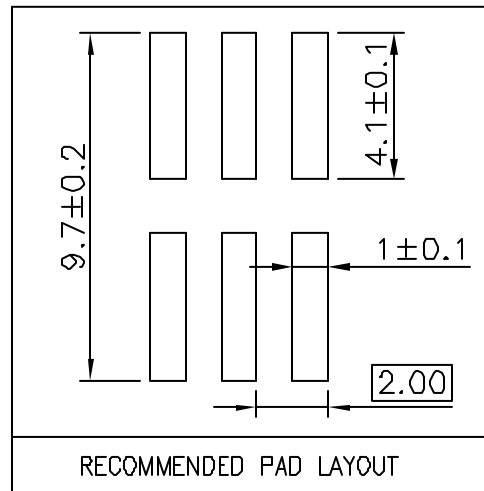
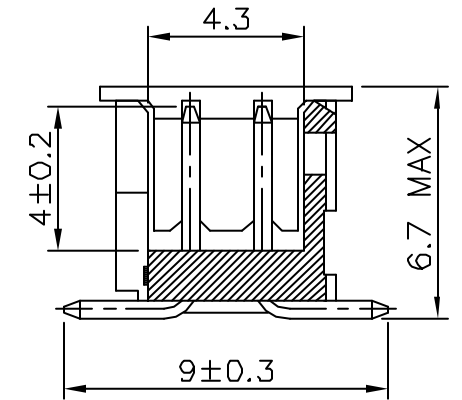
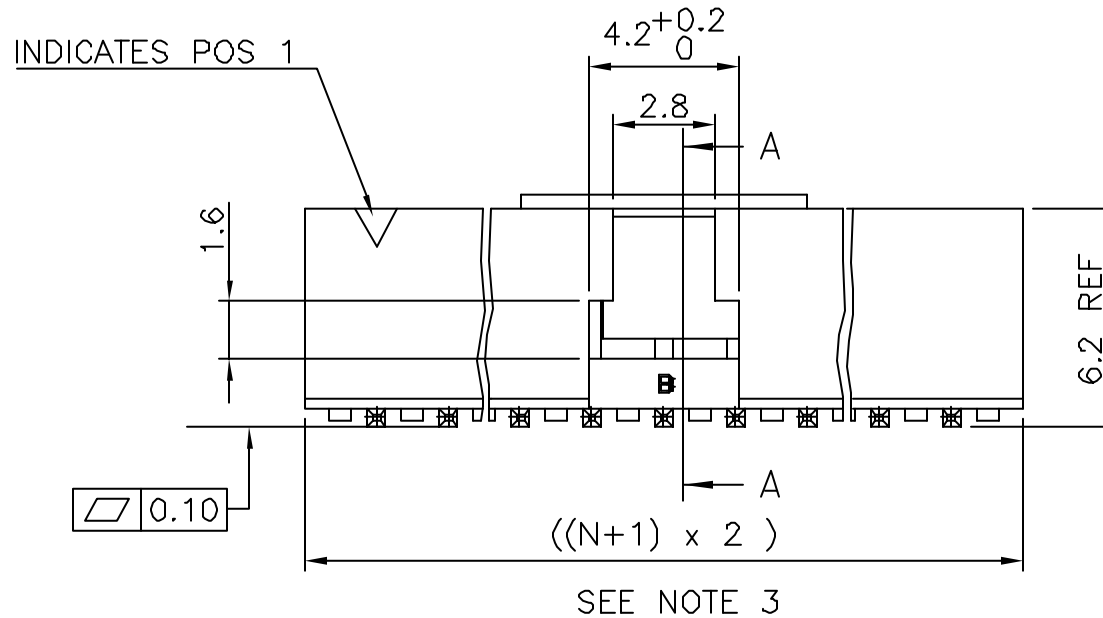
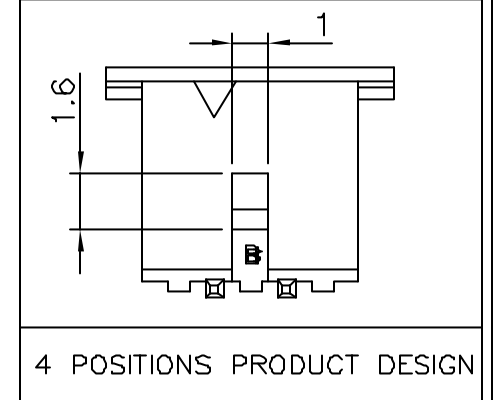
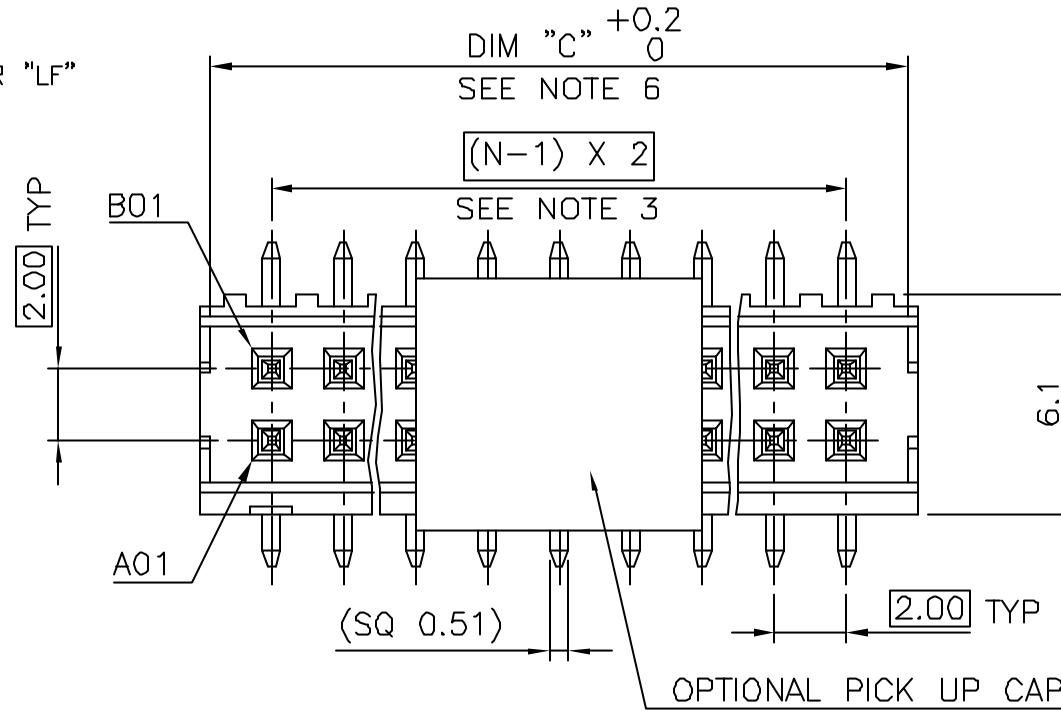
POLARIZATION (SEE NOTE 7)

PACKAGING OPTIONAL LETTER (SEE NOTE 5)

TOTAL NB OF POSITIONS, 04 TO 50

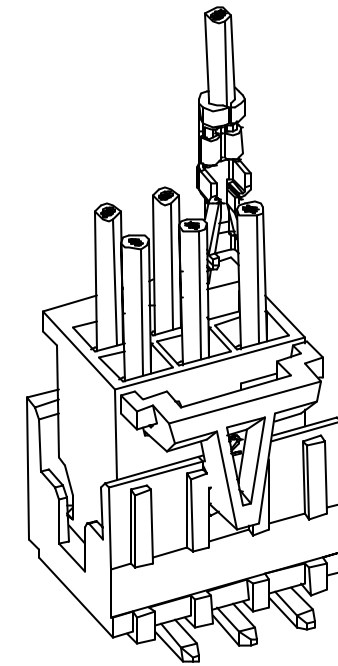
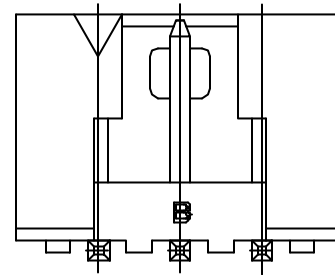
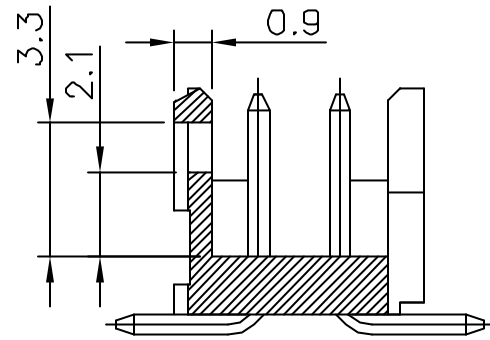
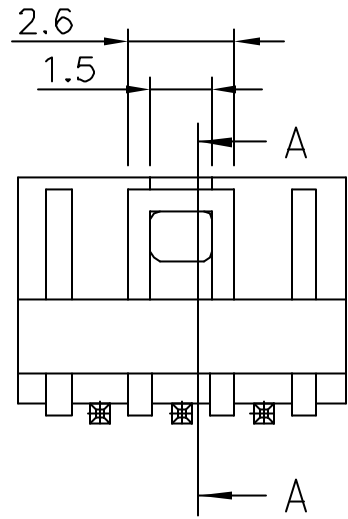
NOTES:

- MATERIAL HOUSING: HIGH TEMP. THERMOPLASTIC
UL 94V-0, COLOR CREAM
- MATERIAL TERMINAL: COPPER ALLOY
- TO DETERMINE DIMENSIONS:
N = NUMBER OF POSITIONS PER ROW
- 7N MIN. PIN RETENTION IN EITHER DIRECTION.
- PACKAGING:
= PLASTIC BOX
- = PLASTIC BOX WHEN POLARISATION FEATURE APPLICABLE
U = TUBE AVAILABLE FROM 08 TO 50 POS
A = TAPE AND REEL WITH PICK UP CAP INSTALLED
IN THE CENTER OF THE PRODUCT FOR PICK AND PLACE
SEE TA 884 FOR PRODUCT AVAILABILITY.
K = TAPE AND REEL WITHOUT PICK UP CAP
FOR ALL SPECIAL PACKAGING, FCI MUST BE CONTACTED
FOR AVAILABILITY IN SIZE REQUESTED
- DIM "C" = (N x 2) + 1.4
EXAMPLE: N = 7
DIM "C" = (7 x 2) + 1.4 = 15.4 mm
- FOR POLARIZATION, SPECIFIED PIN
EXAMPLE : A03 = ROW A, POSITION 03 TO OMIT PIN
OMIT FROM PRODUCT NUMBER IF THIS FEATURE IS NOT APPLICABLE
- RoHS COMPATIBLE PRODUCT SPECIFICATIONS
 - PLATING:
- "LF" MEANS THE PRODUCT IS LEAD-FREE,
2µm MINIMUM MATTE TIN OVER 1.27µm
MINIMUM NICKEL UNDERPLATE.
 - MANUFACTURING PROCESS COMPATIBILITY
- THE HOUSING WILL WITHSTAND EXPOSURE TO
260°C PEAK TEMPERATURE FOR 30 SECONDES
MAX IN A CONVECTION, INFRA-RED OR VAPOR
PHASE DR REFLOW OVEN.
 - LABELLING:
- MEETS PACKAGING SPECS AS PER GS-14-920
 - THIS PRODUCT MEETS EUROPEAN DIRECTIVES
AND OTHER COUNTRY REGULATIONS AS DISCRIBED
IN GS-22-008.

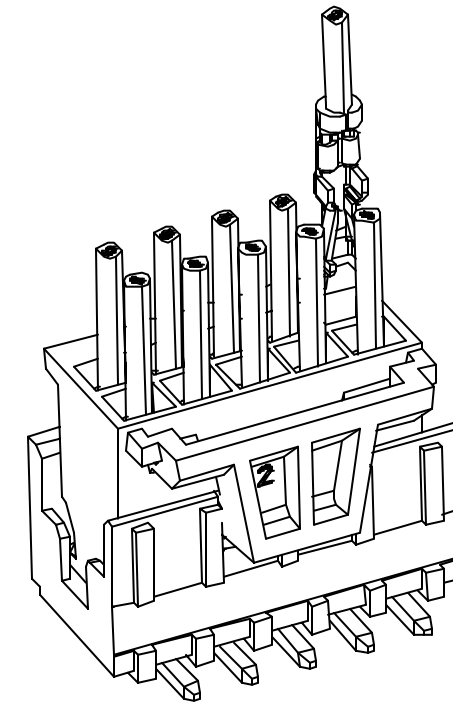
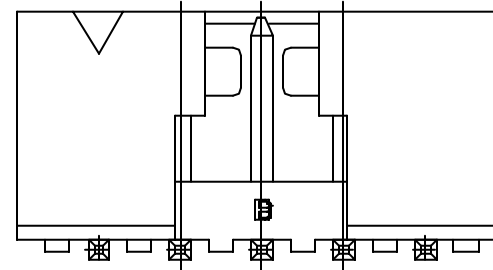
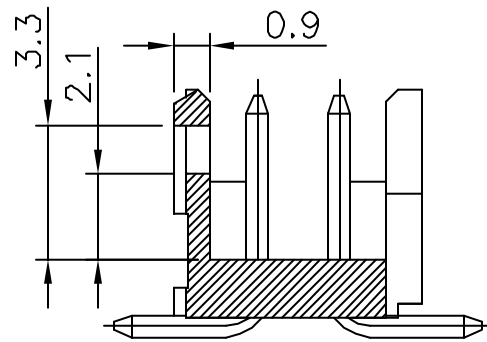
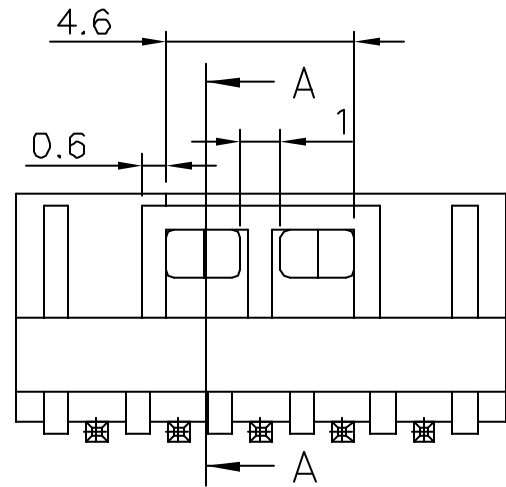


mat'l. code				surface	tolerance	projection	product family	
SEE NOTES				ISO 1302 ✓	ISO 406 ISO	101	MINITEK	
ltr	ecn	na	dr	tolerances unless otherwise specified		mm	title	
F	03	0420	LMU	04.01.20	angles			X.X ±0.3
G	04	0351	JCO	05.01.13	Linear	X.XX ±0.13	dwg no	
H	05	0124	LMU	05.02.07		X.XXX ±0.05		sheet 1 of 2
J	06	0210	LMU	06.07.05	dr	L.MULIN	04.09.27	size
K	06	0259	LMU	06.08.28	engr	J.COMPAGNON	04.09.27	A3
L	08	0113	LMU	08.01.17	chr			type
M	08	0145	ELA	17.04.08	appd	JMC	04.09.27	
sheet	revision	M	A					
index	sheet	1	2					

FCI
FCIconnect.com
Copyright FCI



2x3 POS AND 2x4 POS CONFIGURATION
NO LATCHING AVAILABLE FOR 2x2 POS



2x5 POS UP TO 2x25 POS CONFIGURATION

LATCHING FEATURES WHEN USED IN COMBINATION
WITH ACTIVE LATCH HOUSING 10073599

mat'l. code		surface		tolerance		projection		product family	
SEE NOTES		ISO 1302 ✓		ISO 406 ISO 101		mm		MINITEK	
ltr	ecn no	dr	date	tolerances unless otherwise specified		mm		title	
A	08-0113	LMU	08.01.17	angles	Linear	X.X ±0.3	scale 1:1	SHR HEADER	
						X.XX ±0.13		2.00 VERTICAL SMT	
						X.XXX ±0.05			
				dr	L.MULIN	07.11.06		dwg no	
				engr	J.COMPAGNON	07.11.06		sheet 2 of -	
				chr				98424	
				appd	JM.C	07.11.06		size A3	
sheet index	revision sheet							type CUSTOMER Drawing	



Copyright FCJ