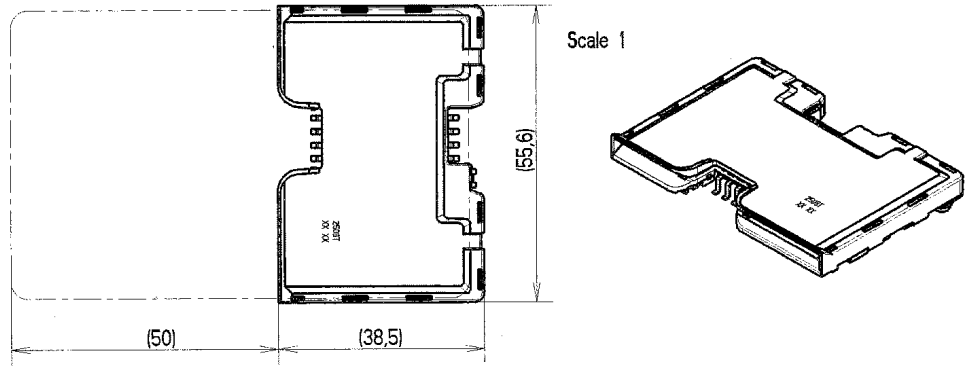
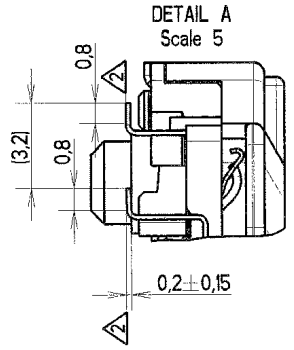
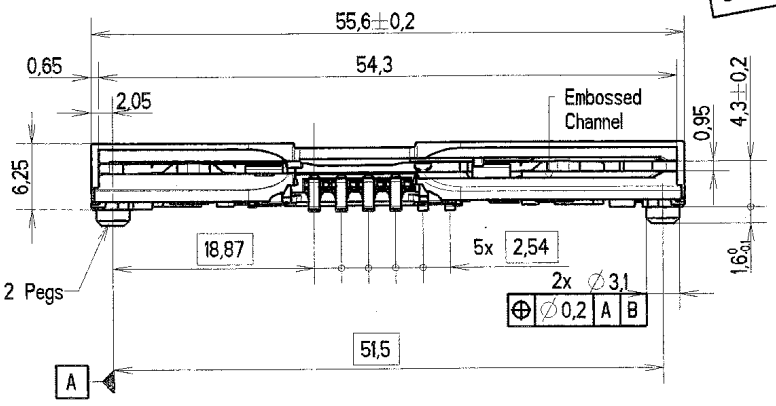
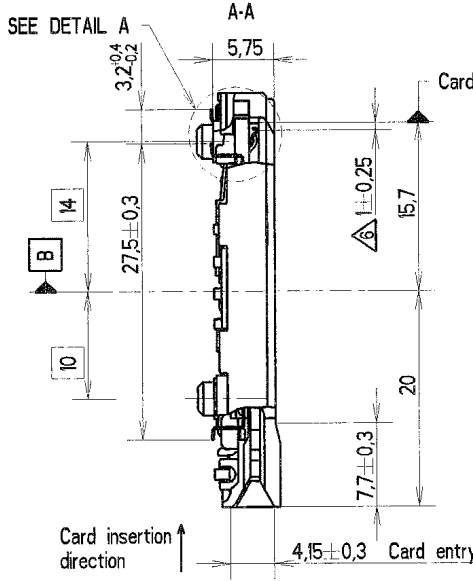
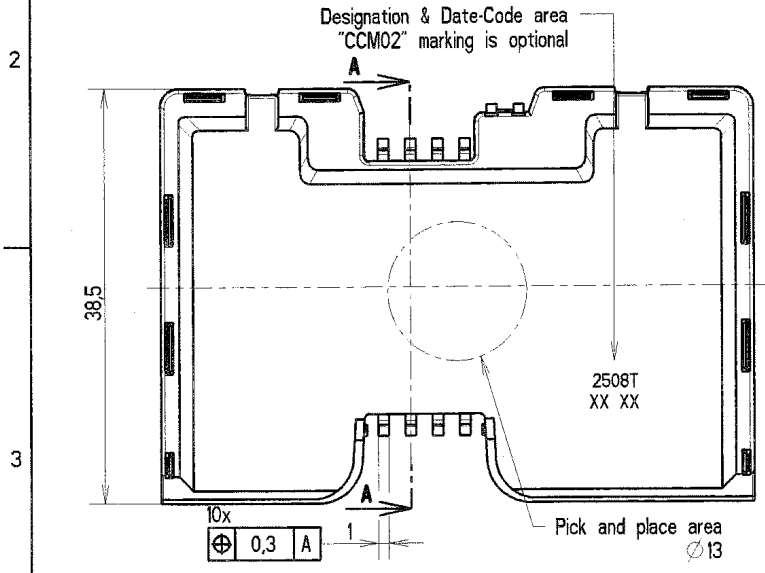
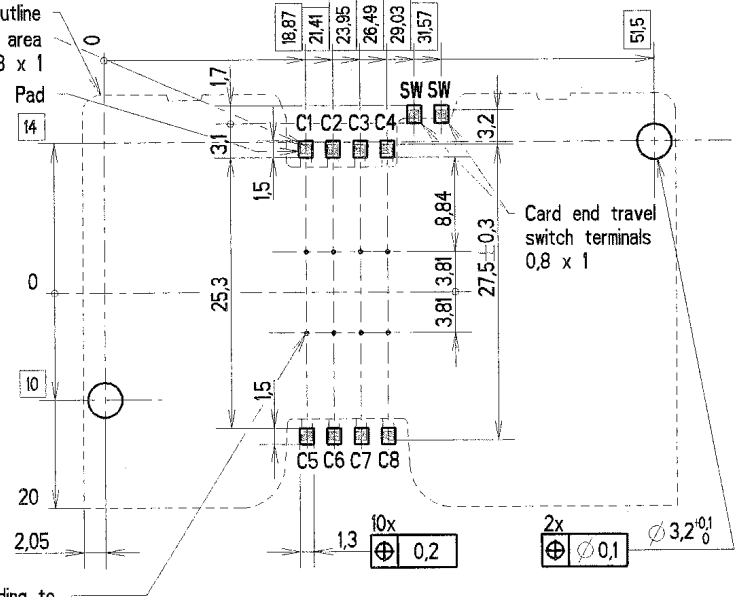


SYSTEM CONFIDENTIAL

REV.	N° DCR	NATURE DE LA MODIFICATION	DATE	VISA
C	ECR-1410	Marking deleted	25/03/2008	V.P
D	ECR-2536	Plastic cover changed	16/07/2008	C.D



RECOMMENDED PC BOARD LAYOUT (Component side)



- Notes :
- 1 - Termination to PCB : SMT reflow soldering Temperature/time profile according to : C&K PS-LF-001 specification. Since there are no boardlocks, the connector must be held in place on the PCB across the top face of the cover.
 - 2 - Level of each contact tail compared to the nearest plastic stand-off. Coplanarity of metal soldering surfaces : 0,15 mm.
 - 3 - Recommendation for solder paste thickness > 0,2 mm.
 - 4 - 2,5 microns min tin plating on contact terminal areas and 0,1 microns min gold plating on switch terminal areas.
 - 5 - Contacts forces :
 - max 0,5 N per contact with max. card thickness.
 - min 0,2 N per contact with min. card thickness.

- 6 - Card end travel switch NO activates when the sliding card is 1 mm from the card stop.
- 7 - For packaging on tray, see document : cu 030278Y0041.
- 8 - In case of customer accessories integration requesting an interface with CCM, please ask C&K for a 3D model.

MATERIE		TRAITEMENT		PROTECTION	
SAUF INDIQUE : TOL LINEAIRE ± 0,1		TOL ANGULAIRE ± 2		DIMENSIONS CRITIQUES ▼	
COTES DONNEES AVANT PROTECTION		ETAT DE SURFACE Ra		DIMENSIONS SPC ▼	
BAUVURES ET ARETES VIVES SUPPRIMEES					
DESSINE	Y.PIZARD	DATE	28-07-05	ANALYSE	Y
VERIFIE	G.PINON	DATE	16-07-08	TAB. FAM.	Y
APPROUVE	J.HEBRAS	DATE	16-07-08	PROVE	Y
G&K Components		REPLACE		LANGAGE E	
BP 359 - 39105 Dole - FRANCE		PROJECTION 1ER DIEDRE		DESIGNATION	
A3		ECHELLE 2		CCM02-2508LFT	
		TAILLE FEUILLE NUMERO		2x4 contacts SMT + switch NO	
		1 / 1 CU		2 pegs	
		REV		030288Y2508	
				D	

CE PLAN EST LA PROPRIETE DE C&K COMPONENTS SAS ET NE PEUT ETRE REPRODUIT OU COMMUNIQUE SANS SON AUTORISATION