



Pontiac Coil

2110 Queensway Searcy, AR 72143

Phone 501-268-6877 Website: www.pontiaccoil.com

Model M-82 DC Solenoid Magnetic Latching, Pull Type

Pontiac Coil - Arkansas is an ISO 9001:2000 Certified Company

*Resistance values are $\pm 10\%$ at 25°C

Model Code	Part No.	Voltage	Duty Cycle	Power (W)	Res.(Ω)*	Current (A)	Release Volts♦
M-82PL012D-07-SR	G0411A	12VDC	Continuous	7	20.0	0.6	5.5 - 7.5
M-82PL012D-20-SR	G0412A	12VDC	Intermittent	20	7.5	1.6	4.5 - 5.5
M-82PL012D-70-SR	G0413A	12VDC	Pulse	70	2.0	6.0	2.0 - 3.0
M-82PL024D-07-SR	G0414A	24VDC	Continuous	7	82.0	0.3	11.0 - 13.0
M-82PL024D-20-SR	G0415A	24VDC	Intermittent	20	29.0	0.9	8.0 - 10.0
M-82PL024D-70-SR	G0416A	24VDC	Pulse	70	8.2	3.0	3.5 - 5.5

SR = Spring Return

♦Release voltage applied in opposite polarity to unlatch the solenoid

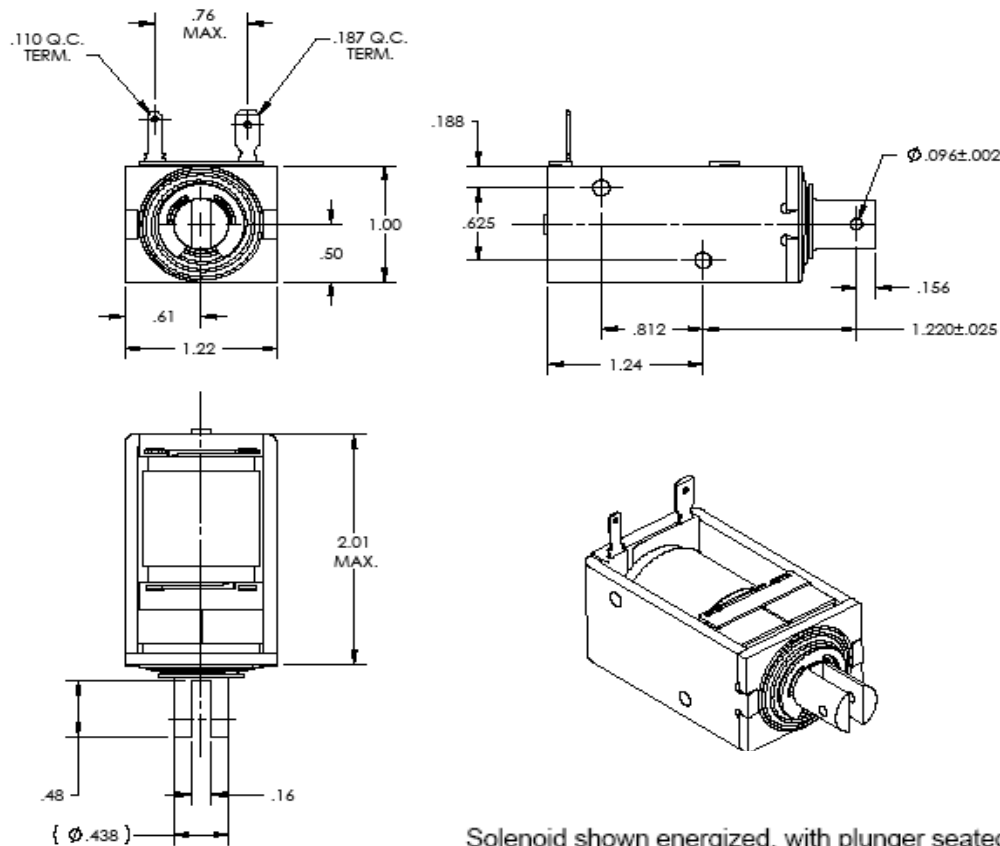
Definition of Duty Cycles:

Continuous = indefinite activation; **Intermittent** = 1 minute ON and 3 minutes OFF; **Pulse** = 100 msec. ON and 900 msec. OFF

Special order options: 6 to 48 Volts, DC only. Consult factory for other available modifications.

Stroke (in.):	Latched	1/16	1/8	1/4	3/8	1/2	5/8	3/4
Cont. Duty force	160 oz.	72 oz.	45 oz.	24 oz.	13 oz.	6 oz.	4 oz.	3 oz.
Int. Duty force	160 oz.	100 oz.	78 oz.	48 oz.	26 oz.	14 oz.	9 oz.	7 oz.
Pulse Duty force	160 oz.	150 oz.	130 oz.	96 oz.	59 oz.	30 oz.	26 oz.	16 oz.

Typical force values when operated at 100% rated voltage at 25°C. Derating required for lower voltage and higher temperature.



Insulation Materials: UL Construction, Class B 130°C

Copper magnet wire insulation rated 155°C (class F)

Voltage Breakdown Strength: 1500 VAC RMS

Life Expectancy: 10 million operations