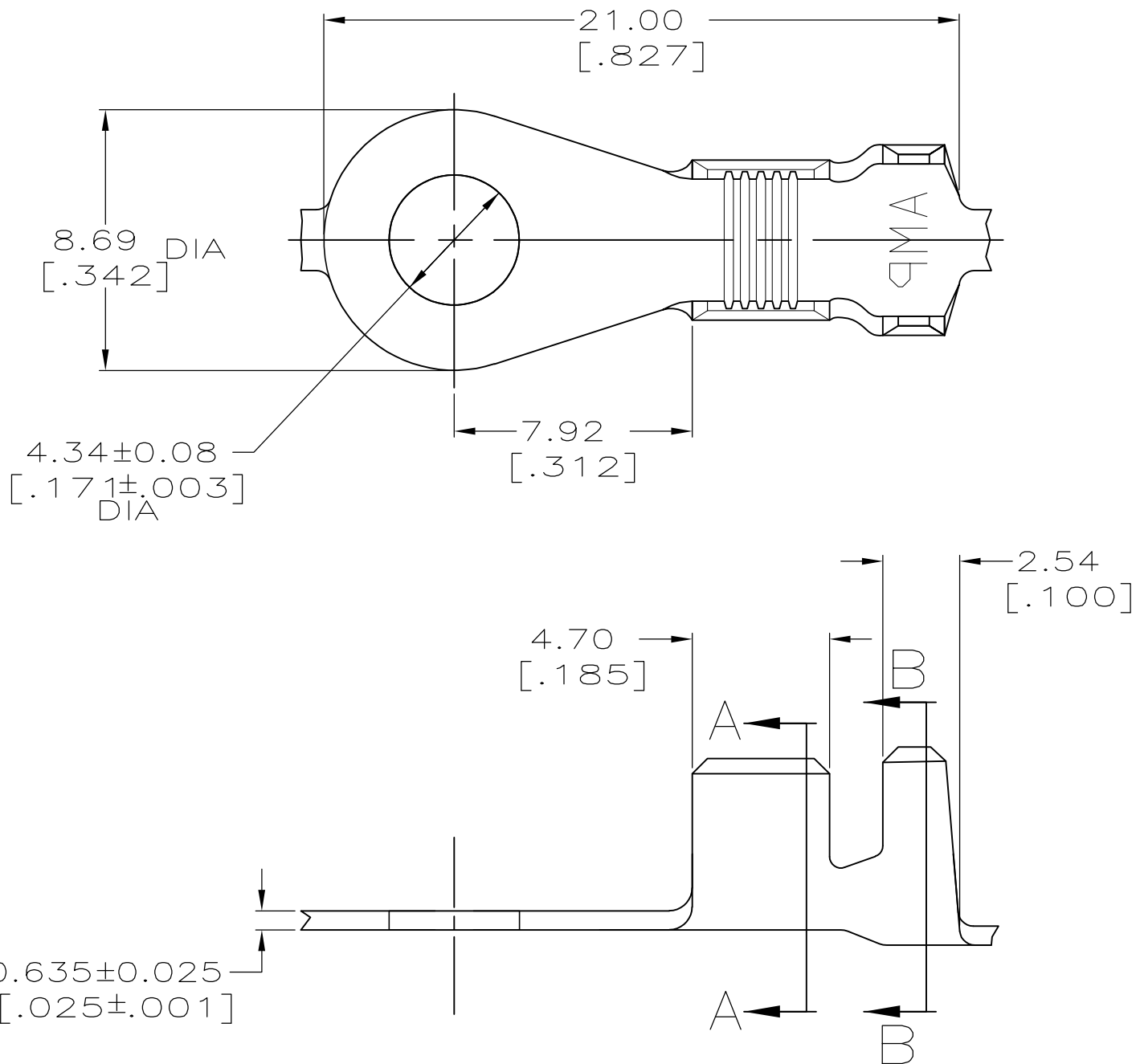
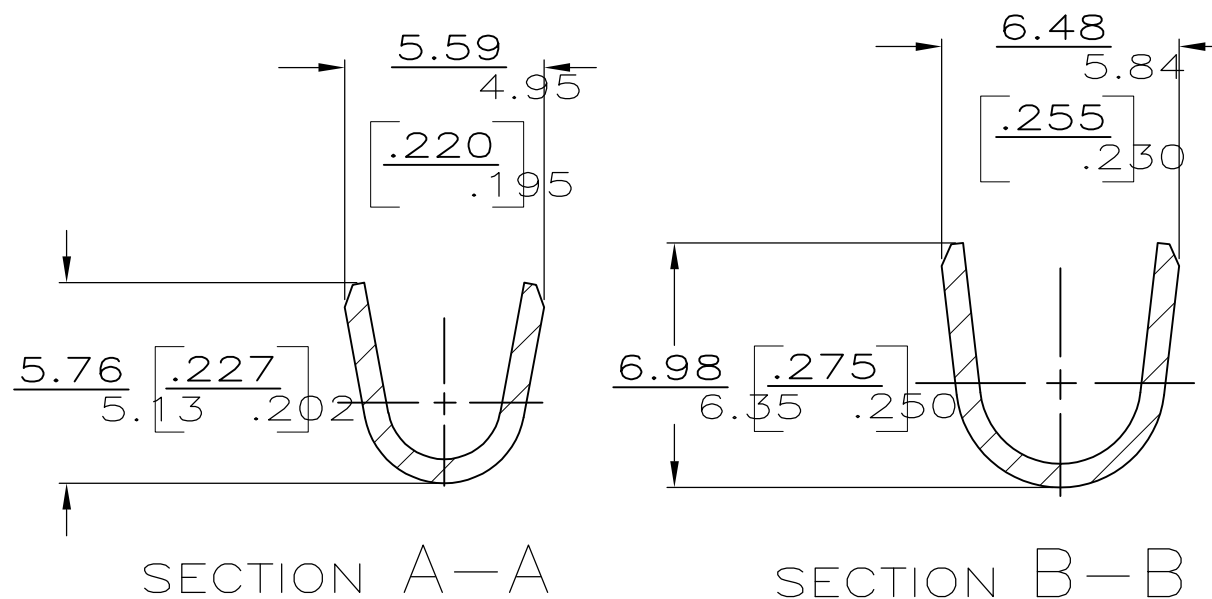


P	LTR	DESCRIPTION	DATE	DWN	APVD
	C	REVISE PER ECR-13-013738	15FEB2014	GRZ	JL



1 CONTINUOUS STRIP ON REELS.



3.81-4.83 DIA (2) #13 MAGNET [.150-.190]	63864-1
INSULATION RANGE	WIRE RANGE
	PART NUMBER

THIS DRAWING IS A CONTROLLED DOCUMENT.

DIMENSIONS: INCHES	TOLERANCES UNLESS OTHERWISE SPECIFIED:
	0 PLC ± -
	1 PLC ± -
	2 PLC ± 0.25[.010]
	3 PLC ± -
	4 PLC ± -
	ANGLES ± -
MATERIAL BRASS	FINISH 0.002032 [.000080] MIN TIN PL PER MIL-T-10727

DWN PHILLIP M FORTNEY 08/SEP/95	TE Connectivity RING,AMPLIVAR			
CHK JEFF R RUTH 08/SEP/95				
APVD GARY YETTER 08/SEP/95				
PRODUCT SPEC MARK BARNABA 08/SEP/95				
APPLICATION SPEC	NAME			
WEIGHT	SIZE	CAGE CODE	DRAWING NO	RESTRICTED TO
CUSTOMER DRAWING	A3	00779	C-63864	-
SCALE	SHEET	REV		
5:1	1 OF 1	C		