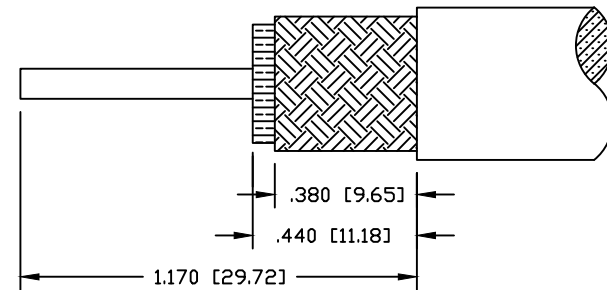
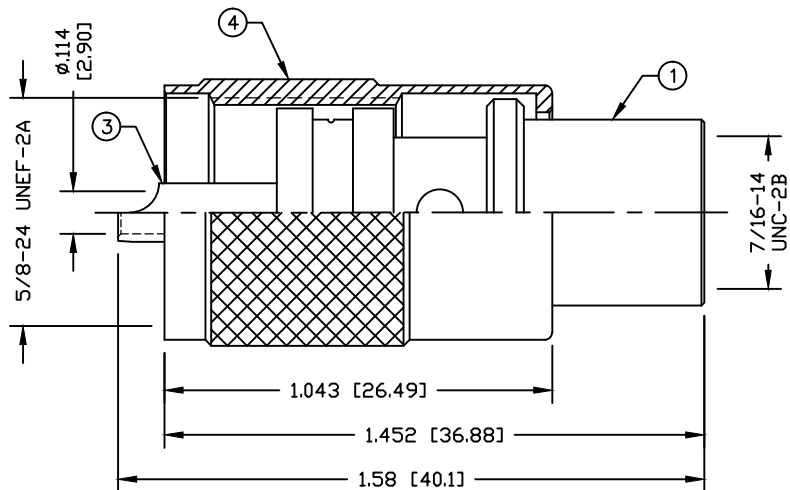


PART NO.

**RFU-500**

REV	DESCRIPTION	DWN	DATE	APPROVED
N	UPDATED DWG FORMAT AND CBL SPECS.	CZS	09/18/17	JDMc



RECOMMENDED STRIPPING INSTRUCTIONS

**SPECIFICATIONS:**

IMPEDANCE: NON CONSTANT  
 FREQUENCY RANGE: 0-300 MHz  
 VOLTAGE RATING: 500 VOLTS RMS

(E) FOR RG-8, 8A, 213/U

(F) FOR RG-9, 9A, 9B, 214/U

(I) FOR BELDEN 9913, 9914, RG-8/U TYPE, RG-393/U &amp; TIMES LMR-400 W/RFU-530 REDUCER

(C) FOR RG-58, 58A, 58C, 141, 141A, 400/U

(C1) FOR RG-55, 55A, 55B, 142, 142A, 142B &amp; 223/U

(C2) FOR TIMES LMR-200, ALPHA 9848 &amp; MSI-22

W/RFU-531 REDUCER

(D) FOR RG-59, 59A, 59B, 62, 62A, 62C 71, 140 &amp; 210/U

(P) FOR ANTENNA SPECIALIST K214 &amp; PRO-FLEX 800, TIMES AA3096 &amp; COMM/SCOPE 2278 &amp; 2279 CABLE

(X) FOR RG-8/X &amp; 30/U, BELDEN 9258, TIMES LMR-240 &amp; LMR-240 ULTRAFLEX

CUSTOMER OUTLINE DRAWING	
ALL DIMENSIONS ARE REFERENCE ONLY	
UNLESS OTHERWISE SPECIFIED: DIMENSIONS ARE IN INCHES AND [MILLIMETERS]	

DRAWN C. ZUNIGA	09/18/17
CHECKED	
ORJ DRAWN S. SMITH	05/29/90

**RoHS**  
COMPLIANT

PROPRIETARY AND CONFIDENTIAL  
 THIS DRAWING CONTAINS  
 INFORMATION PROPRIETARY TO  
 RF INDUSTRIES. ANY  
 UNAUTHORIZED USE OF THIS  
 DRAWING IS EXPRESSLY  
 PROHIBITED WITHOUT WRITTEN  
 PERMISSION FROM RF  
 INDUSTRIES. ANY VIOLATION IS  
 PUNISHABLE UNDER U.S.  
 COPYRIGHT LAWS.

**RFconnectors**  
 DIVISION OF RF INDUSTRIES, LTD. (858) 549-6345 FAX

RFINDUSTRIES.COM  
 7610 MIRAMAR RD.  
 SAN DIEGO, CA 92126  
 (858) 549-6340  
 (858) 549-6345 FAX

**UHF PLUG, SOLDER**

SIZE A	CABLE GROUP MULTIPLE	DWG NO. <b>RFU-500</b>	REV N
SCALE: NTS	ENGINEERING ID: 000000	SHEET 1 OF 1	

#	DESCRIPTION	QTY	MATERIAL	FINISH
4	SHELL	1	BRASS	NICKEL
3	PIN	1	BRASS	SILVER
2	INSULATOR	1	DAP	---
1	BODY	1	BRASS	SILVER