

Data Sheet

AT-3045-TF-LW110-2-R

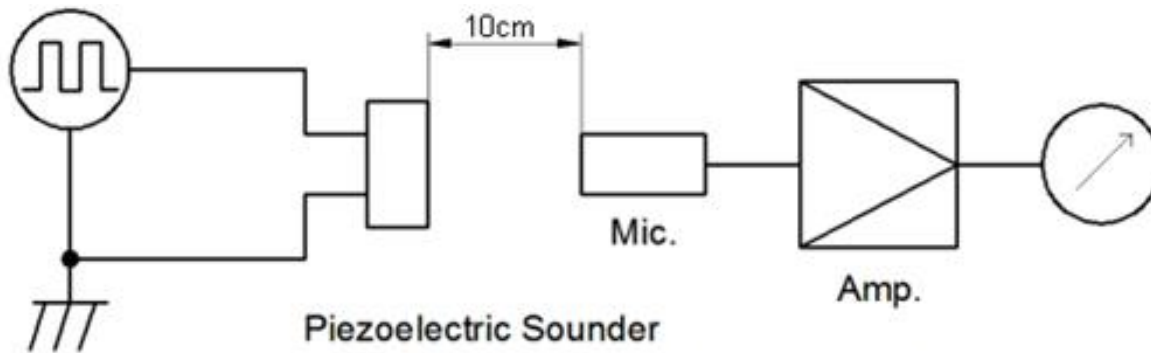
**Features:**

- 90 dB output with 10Vp-p and 4000Hz input
- Weighs only 4 grams
- Less than 5mm thick

**Specifications**

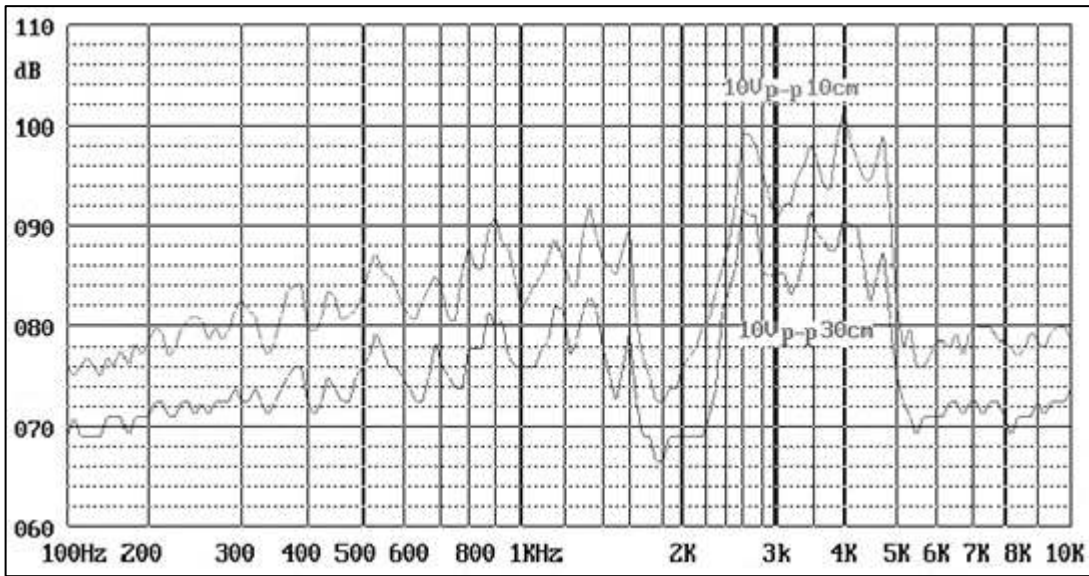
Parameters	Values	Units
Rated Voltage	10	Vp-p
Operating Voltage Range	1 ~ 30	Vp-p
Current Draw at Rated Voltage	≤10	mA
Capacitance	30000±30%	pF
Minimum SPL @ 10cm	≥90	dBA
Resonant Frequency	4000±500	Hz
Housing Material	ABS	-
Weight	4	Grams
Acceptable Soldering Methods	Hand Solder	-
Environmental Compliances	RoHS	-
Storage Temperature	-30 ~ +80	°C
Operating Temperature	-20 ~ +70	°C

**Measurement Method** (10Vp-p, 4000Hz, square wave with 50% duty cycle measured at 10cm)



Piezoelectric Sounder  
MIC: ND10 Sound Meter or equivalent  
Signal Generator: DF1641D or equivalent

## Typical Frequency Response (10Vp-p sine-sweep input)

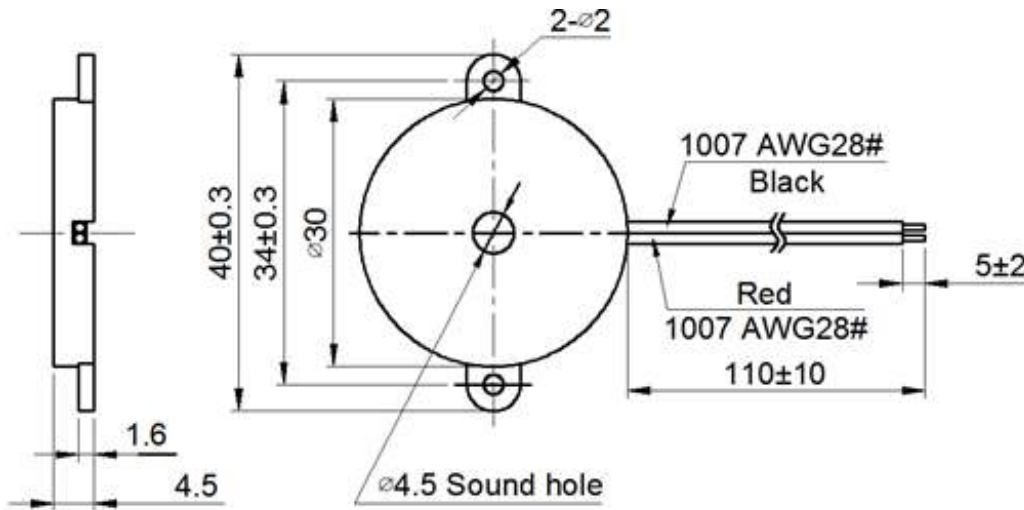


## Reliability Testing

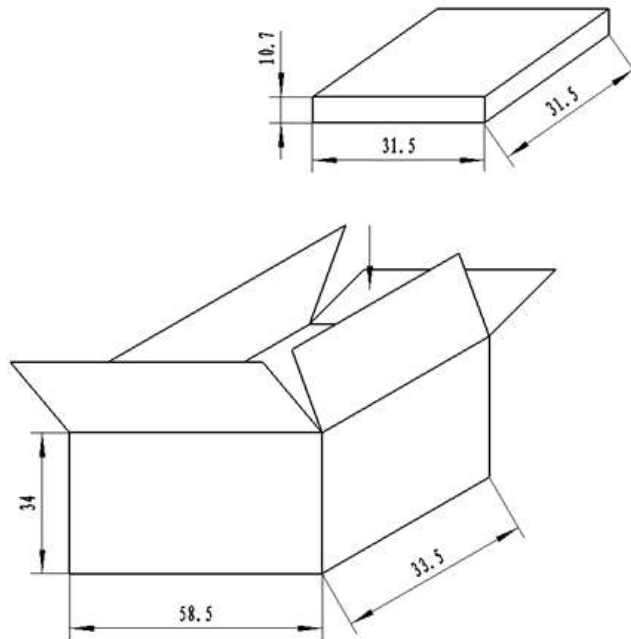
Type of Test	Test Specifications
High Temperature Test	+80±2°C, 96 Hours
Low Temperature Test	-30±2°C, 96 Hours
Humidity Test	40±2°C, 93(+2/-3) %RH for 96 Hours
Temperature Cycle Testing	30±2°C, 30minutes +20±2°C, 15 minutes +80±2°C, 30 minutes +20±2°C, 15 minutes Total of 5 cycles
Vibration Test	10 to 55 Hz band of vibration to each of 3 perpendicular directions for 2 hours
Drop Test	The part shall be dropped from the height of 70cm onto a 10mm thick wooden board; 3 times per axial directions (x, y & z) a total of 9 times.

After being placed for 4 hours at room temp, the product shall meet specifications. SPL should be within ±10 dB compared with initial value.

## Dimensions (Units: mm Tolerance: $\pm 0.5\text{mm}$ )



## Packaging



### NOTES:

- 1.300 PCS per box
- 2.Total 5 boxes per carton
- 3.Total 1500 PCS carton
- 4.Volume: $58.5 \times 33.5 \times 34\text{cm}$

**Specifications Revisions**

<b>Revision</b>	<b>Description</b>	<b>Date</b>
-	Released from Engineering	4/8/20

**Note:**

1. Unless otherwise specified:
  - A. All dimensions are in millimeters.
  - B. Default tolerances are  $\pm 0.5\text{mm}$  and angles are  $\pm 3^\circ$ .
2. Specifications subject to change or withdrawal without notice.