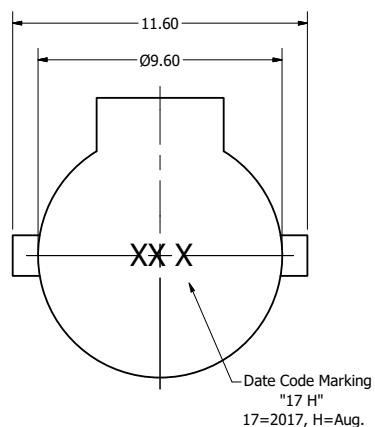
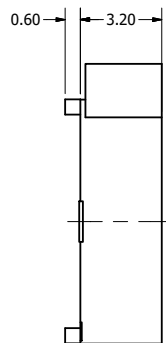


Part Number: <b>TE092603-1</b>	DRAWN CJ	8/2/2017
	CHECKED P.D.	8/3/2017
	APPROVED C.E.	8/3/2017
Description: <b>Electro-Mechanical Transducer</b>		
This document contains data proprietary to DB Unlimited. Any use or reproduction, in any form, without prior written permission of DB Unlimited is prohibited. All terms and conditions can be found at <a href="http://www.dbunlimitedco.com">www.dbunlimitedco.com</a>		

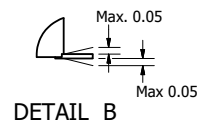
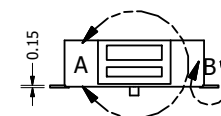
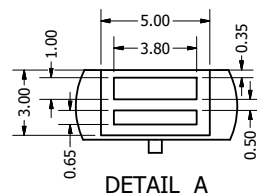
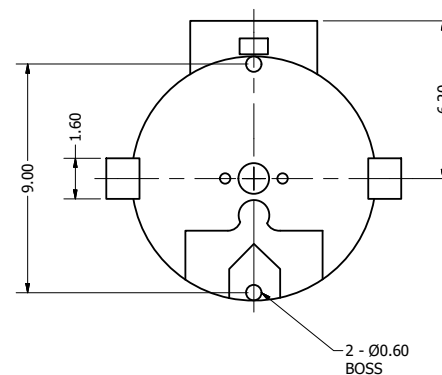
Top View



Side View



Bottom View



Items	Specifications	Conditions
Sound Pressure Level	90	dB (@ 10cm)
Resonant Frequency	2670	Hz
Rated Voltage	3.6	V
Voltage Range	2 ~ 5	V
Coil Resistance	16	Ω
Max. Rated Current	80	mA
Storage Temperature	-30 ~ +70	°C
Operating Temperature	-30 ~ +70	°C
Connection Method	Surface Mount Pads	
Mount Type	Surface Mount	
Housing Material	LCP	
Weight	0.5	g

REVISION HISTORY

REV	DESCRIPTION	DATE	APPROVED
	Released from Engineering	10/21/2013	J.S.
1	Changed p/n from TE062603-1	8/19/2014	J.S.
2	New tmplate, add detail views	8/2/2017	C.E.

NOTES

- 1) All dimensions are in mm unless otherwise noted
- 2) All tolerances are ± 0.2 mm unless otherwise noted
- 3) All parts meet RoHS
- 4) Subject to change or redrawn without notice