



## DPP480 Series

480W Single Output  
DIN Rail Mount Power Supplies

- Low Cost
- 24 or 48V Outputs
- Wide Range AC Input
- Active PFC
- Parallel Function Switch
- -40°C to +71°C Operation

### Key Market Segments & Applications

Key Market Segments & Applications

Industrial Controls:	Motor Control Systems
Factory Automation:	Process Control, Automotive, Chemical Processing
Test & Measurement:	Burn in & Test, Instrumentation Measurement

### DPP480 Features and Benefits

#### Features

- PFC Compliant to EN61000-3-2
- UL508 Approvals
- TS35/7.5 or TS35/15 DIN Rail Mounting

#### Benefits

- Supports Global Use
- Easier System Configuration
- Easy System Integration

### Specifications

MODELS		DPP480-24-1	DPP480-48-1
ITEMS			
AC Input Voltage range	VAC	90 - 264VAC	
Input Frequency	Hz	47 - 63Hz	
Inrush Current (115 / 230VAC)	A	25 / 50A	
Power Factor	-	Meets EN61000-3-2 Class A, typ 0.99 at 230VAC input	
Input Current (115/230VAC)	A	7 / 3.5A	
Output Voltage	V	24V	48V
Output Current	A	20A	10A
Output Voltage Adjustment Range	-	22.5 - 28.5V	47 - 56V
Output Voltage Accuracy	%	-0, +1% of Nominal	
Line Regulation	%	±0.5%	
Load Regulation	%	±0.5% (±5% when set in parallel mode)	
Ripple and Noise (20MHz BW)	mV	100mV	
Overcurrent Protection (Typ)	-	120 - 140%	
Overvoltage Protection	V	30 - 33V	57 - 63V
Hold Up Time (115VAC input)	ms	> 30ms	
Efficiency (typ)	%	89%	90%
Parallel operation	-	Set in single or parallel (droop) mode - maximum of 3 units	
LED Indicators	-	Green LED = On, Red LED = DC Output Low	
DC Good Relay (24V model only)	-	0.3A rated normally open relay contacts, closes when output is above 17.6 - 19.4V	
Operating Temperature	--	-40°C to +71°C (Derate linearly 2.5%/°C from 56°C to 71°C) <sup>(2)</sup>	
Storage Temperature	-	-40°C to +85°C	
Operating Humidity	-	20 - 95% RH (non condensing)	
Cooling (1)	-	Convection	
Withstand Voltage	-	Input to Output 3kVAC for 1 min.	
Isolation Resistance	Ω	>100MΩ at 25°C & 70%RH, Output to Ground 500VDC	
Safety Agency Approvals	-	UL508 Listed, IEC/UL/CSA/EN62368-1, 60950-1, CE Mark	
Conducted & Radiated EMI	-	EN55022 class B	
Weight (Typ)	g	1920g	
Size (WxHxD)	mm	175 x 125 x 123	
Case material	-	Metal	
Warranty	yrs	3	

Notes: (1) Recommend 1" clearance on all sides

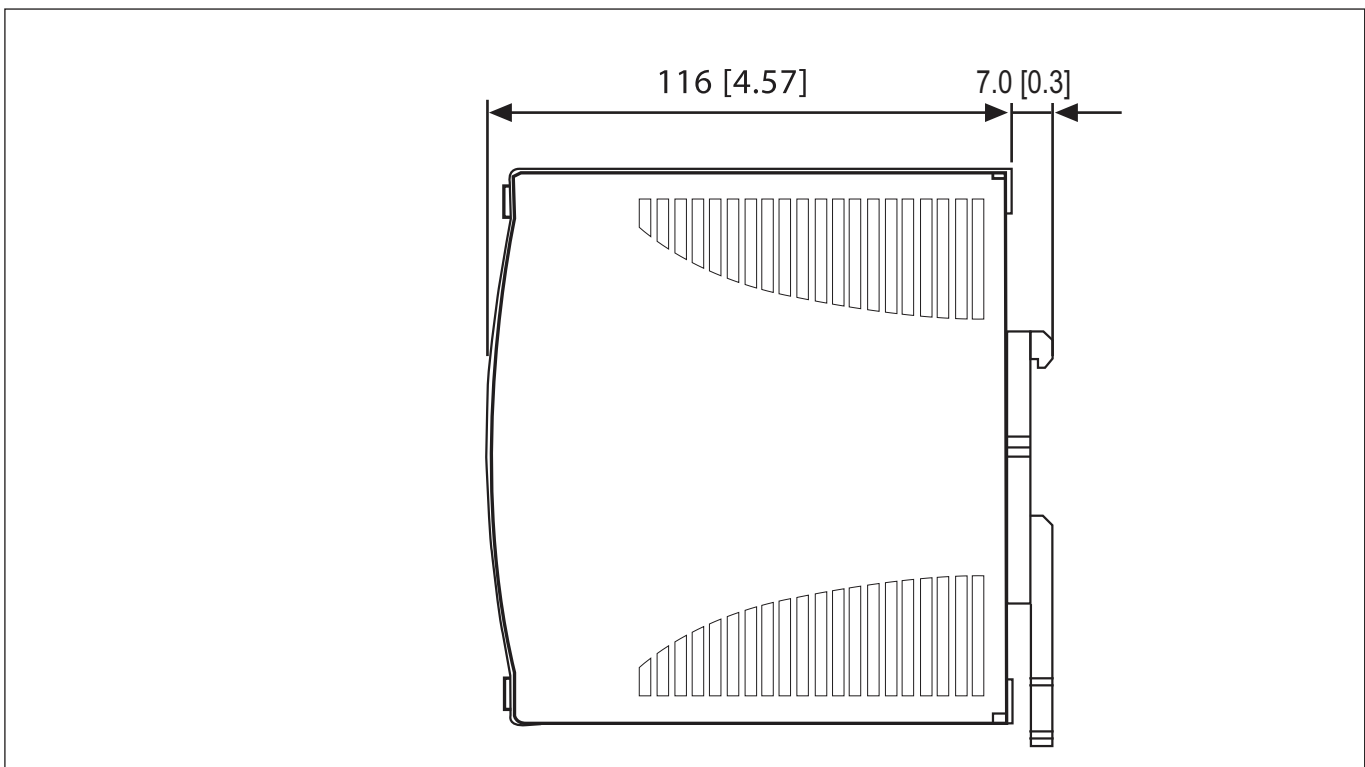
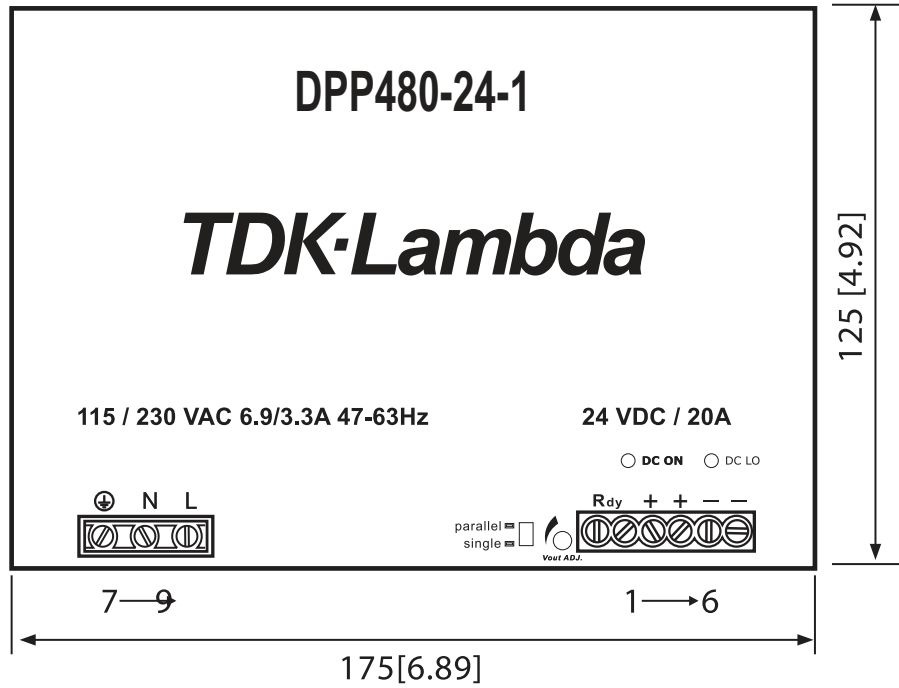
Model Selector					
Model	Output Voltage (V)	Output Adjust (V)	Output Curr. (A)	Max. Output Power (W)	Efficiency at Full Load (%)
DPP480-24-1	24	22.5 - 28.5	20	480	89
DPP480-48-1	48	47.0 - 56.0	10	480	90

For plug type connectors add suffix 'B' to part number

PIN Assignments	
Pin#	Function
1	DC Good Relay
2	DC Good Relay
3	V+
4	V+
5	V-
6	V-
7	GND
8	N
9	L

Outline Drawing DPP480 Series

Dimensions are in millimeters (inches)





## TDK-Lambda France SAS

Tel: +33 1 60 12 71 65  
tlf.fr.powersolutions@tdk.com  
www.emea.lambda.tdk.com/fr



## Italy Sales Office

Tel: +39 02 61 29 38 63  
tlf.it.powersolutions@tdk.com  
www.emea.lambda.tdk.com/it



## Netherlands

tlf.nl.powersolutions@tdk.com  
www.emea.lambda.tdk.com/nl



## TDK-Lambda Germany GmbH

Tel: +49 7841 666 0  
tlg.powersolutions@tdk.com  
www.emea.lambda.tdk.com/de



## Austria Sales Office

Tel: +43 2256 655 84  
tlg.at.powersolutions@tdk.com  
www.emea.lambda.tdk.com/at



## Switzerland Sales Office

Tel: +41 44 850 53 53  
tlg.ch.powersolutions@tdk.com  
www.emea.lambda.tdk.com/ch



## Nordic Sales Office

Tel: +45 8853 8086  
tlg.dk.powersolutions@tdk.com  
www.emea.lambda.tdk.com/dk



## TDK-Lambda UK Ltd.

Tel: +44 (0) 12 71 85 66 66  
tlu.powersolutions@tdk.com  
www.emea.lambda.tdk.com/uk



## TDK-Lambda Ltd.

Tel: +9 723 902 4333  
tli.powersolutions@tdk.com  
www.emea.lambda.tdk.com/il-en



## TDK-Lambda Americas

Tel: +1 800-LAMBDA-4 or 1-800-526-2324  
tla.powersolutions@tdk.com  
www.us.lambda.tdk.com



## TDK Electronics do Brasil Ltda

Tel: +55 11 3289-9599  
sales.br@tdk-electronics.tdk.com  
www.tdk-electronics.tdk.com/en



## TDK-Lambda Corporation

Tel: +81-3-6778-1113  
www.jp.lambda.tdk.com



## TDK-Lambda (China) Electronics Co. Ltd.

Tel: +86 21 6485-0777  
tlc.powersolutions@tdk.com  
www.lambda.tdk.com.cn



## TDK-Lambda Singapore Pte Ltd.

Tel: +65 6251 7211  
tfs.marketing@tdk.com  
www.sg.lambda.tdk.com



## TDK India Private Limited, Power Supply Division

Tel: +91 80 4039-0660  
mathew.philip@tdk.com  
www.sg.lambda.tdk.com

