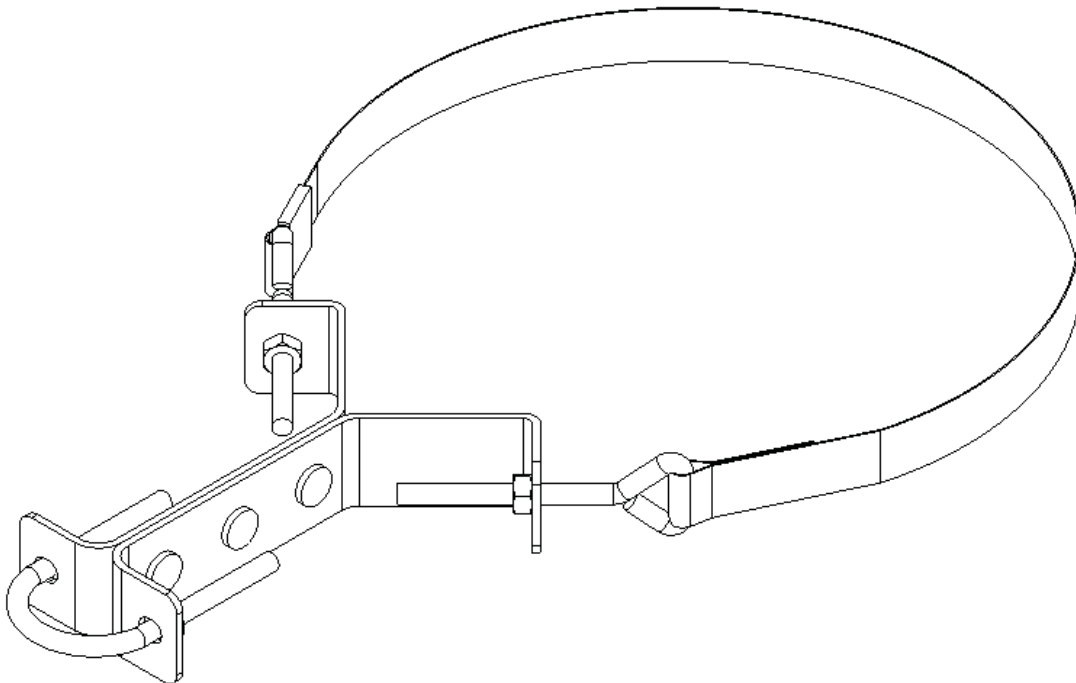


WMP

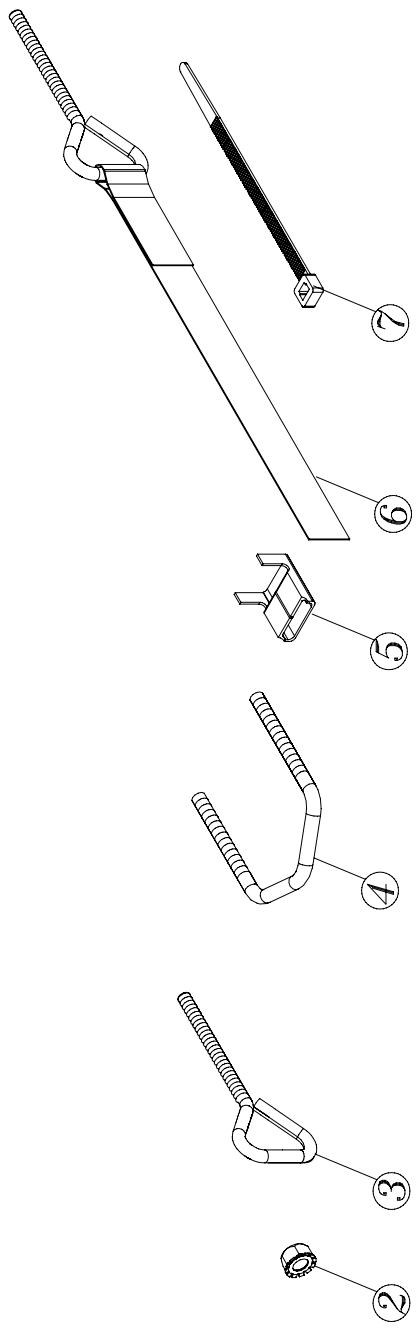
VIDEO MOUNT PRODUCTS

Instruction Sheet For:

Y-MOUNT

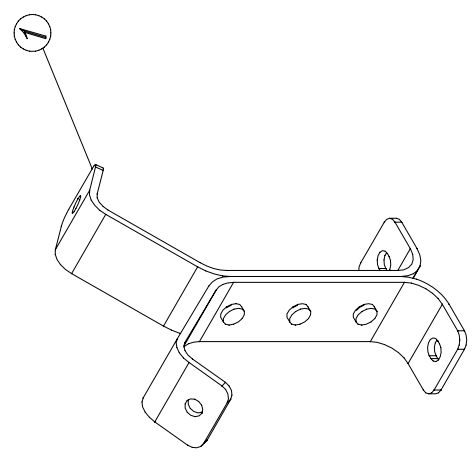


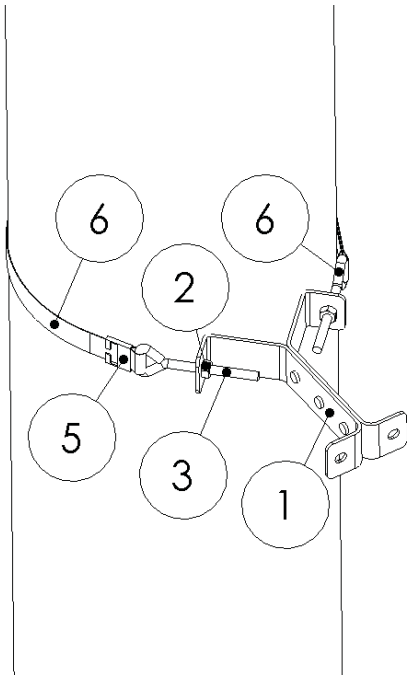
For more information, please contact us at:
345 Log Canoe Circle, Stevensville, Maryland 21666
Toll Free: 877.281.2169 Phone: 410.643.6390 Fax: 410.643.6615
www.videomount.com



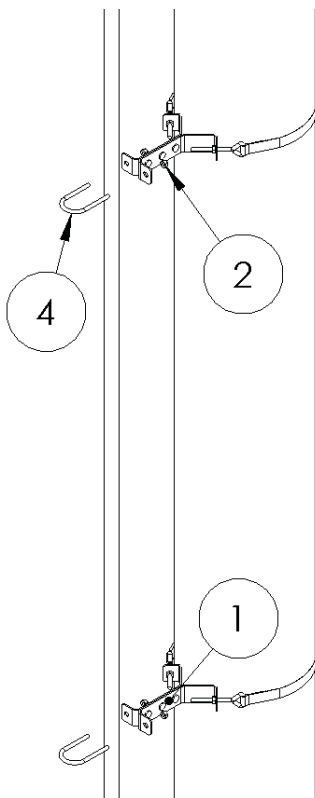
*** Y-MOUNT ***
 "Y" Style Chimney Mount

1	SUPPORT	2
2	NUT 1/4"-20UNC	8
3	HANDLE SCREW 1/4"-20UNC	2
4	"U" BOLT	2
5	CONNECT COMPONENT	2
6	STAINLESS STEEL STRAP	2
7	CABLE TIE	2





Step 2 and 3: Attaching the support to the chimney



Step 4: Attaching the antenna mast to the support

Step 1

Before starting, lay out all parts to your mount and match them to the partslist provided. Verify that you have all your parts before attempting to assemble the mount. *Note: It is highly recommended that the installation of this mount be done by a professional.*

Step 2

Take the support (1) and place the wide opening onto the circular chimney. Take the triangle screw attached the steel strap (6) and insert it through a hole in the support (1) on the flaps close to the chimney. Use a hex nut (2) to secure the triangle screw. Wrap the strap (6) around the chimney. *Note: When wrapping the band around the chimney, make sure the strap is resting on a solid surface which will support the weight of the combined load of the antenna mast and mount.*

Step 3

Slide the strap (6) through the connect component (5). Then take the free triangle screw (3) and insert it through the support (1) in the other hole which is close to the chimney. Use a hex nut (2) to secure the screw (3). Wrap the free end of the strap (6) through the triangle screw (3) and then take the free end of the strap and slide it back through the connect component (5). Pull the strap (6) tight and crimp the ears of the connect component (5) down to hold the strap in place. Tighten down hex nuts (2) until all slack is removed from the strap (6). Repeat steps 2 and 3 for the other support (1). *Note: Place the other support as far away from the first support as possible to give the antenna mast more stability. WARNING: Please verify your mounting surface will support the combined weight of your mount, mounting hardware and antenna. If in doubt, please contact a professional installer.*

Step 4

Place the antenna mast on the flap portion of the supports (1). Use the "U" bolts (4) and hex nuts (2) to secure the mast to the supports (1). Use the cable ties (7) as desired to secure loose wires.

Please verify that all nuts and screws are securely tightened and the connect component is firmly crimped down.



Enjoy Your Mount!

WARNING: The installer must verify the installation meets all applicable codes and survival requirements. Video Mount Products will not be held liable for the improper use or installation of its products.