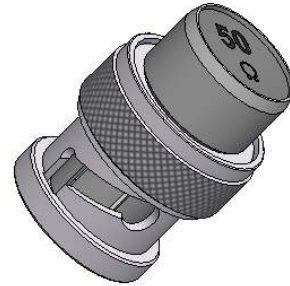
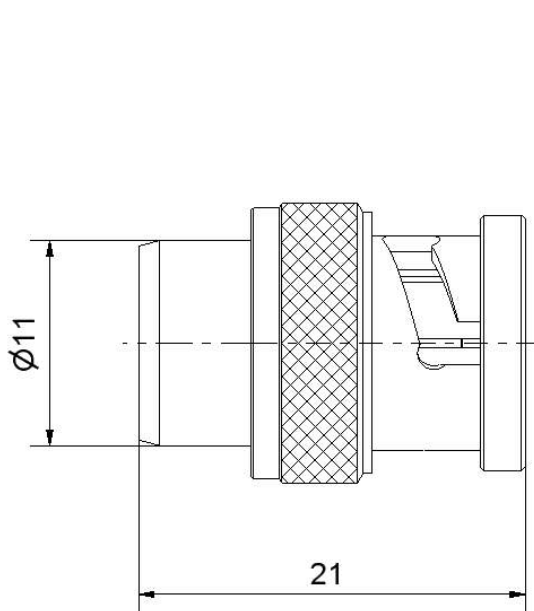


BNC 50 Ω

Termination
Plug 1 Watt

51S1RR-001N4



All dimensions are in mm; tolerances according to ISO 2768 m-H

Interface

According to IEC 61169-8

Documents

N/A

Material and plating

Connector parts

- Center contact
- Outer contact
- Body
- Dielectric
- Substrate
- Gasket

Material

- Brass
- Brass
- Brass
- PTFE
- Al₂O₃
- NeoprenCR 50C6

Plating

- Gold, min. 0.8 μm, over nickel
- White bronze(e.g. Optalloy®)
- White bronze(e.g. Optalloy®)

Dieses Dokument ist urheberrechtlich geschützt • This document is protected by copyright • Rosenberger Hochfrequenztechnik GmbH & Co. KG

RF_35/09.14/6.2

Electrical data

Impedance 50 Ω
 Frequency DC to 2 GHz
 Return loss ≥ 20.8 dB, DC to 1 GHz
 ≥ 15.6 dB, 1 GHz to 2 GHz
 Power handling (at 20 °C, sea level, VSWR 1.0) 1 W at 25°C
 derated linearity to 0 Watts at 125°C

Mechanical data

Mating cycles ≥ 500
 Center contact captivation) ≥ 27 N

Environmental data

Temperature range -55°C to +155°C
 RoHS compliant

Tooling

N/A

Suitable cables

N/A

Weight

10.0 g/pce

While the information has been carefully compiled to the best of our knowledge, nothing is intended as representation or warranty on our part and no statement herein shall be construed as recommendation to infringe existing patents. In the effort to improve our products, we reserve the right to make changes judged to be necessary.

Draft	Date	Approved	Date	Rev.	Engineering change number	Name	Date
Kerstin Herzog	19.08.04	F. Reiner	20.06.18	c01	18-1026	M.Ruf	20.06.18