

4

3

2

1

THIS DRAWING IS UNPUBLISHED.

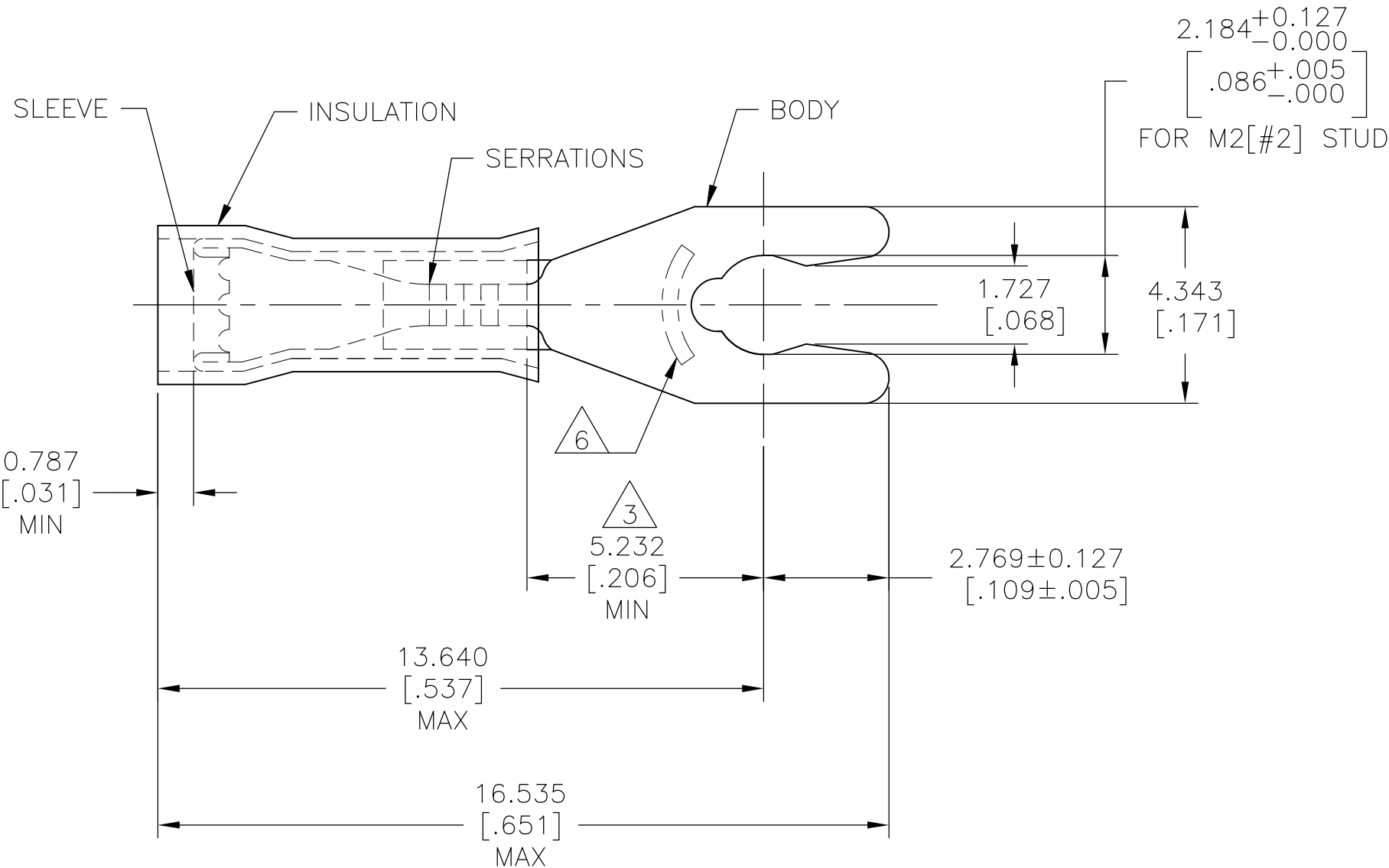
RELEASED FOR PUBLICATION

© COPYRIGHT - TE Connectivity Ltd.

ALL RIGHTS RESERVED.

REVISIONS

P	LTR	DESCRIPTION	DATE	DWN	APVD
G		REV & REDRAWN PER ECR 10-005247	09MAR10	JR	TM
G1		REVISED PER ECO-17-008114	31MAY2018	RS	DR



- 1 FOR 1.270 TO 2.083[.050 TO .082] WIRE INSULATION DIA
- 2 BODY MATERIAL THK: 0.457±0.051[.018±.002]
- 3 APPLIES FROM THE METAL EDGE OF THE BARREL TO THE CENTER OF THE STUD
- 4 MATERIAL:
BODY: PHOS BRONZE PER ASTM-B103
SLEEVE: COPPER PER ASTM-B152
INSULATION: NYLON PER ASTM-D4066 TYPE 1
- 5 FINISH:
BODY & SLEEVE: TIN PLATE PER ASTM-B545
INSULATION: COLOR - YELLOW
- 6 STAMP AMP 2S APPROX AS SHOWN

1000	WIRE TERMINAL	52921
QTY	DESCRIPTION	PART NO

AMP INCORPORATED
CUSTOMER SERVICE SYSTEMS

THIS DRAWING IS A CONTROLLED DOCUMENT.

DWN jr_ruth 09MAR10

CHK TOM MICHIELUTTI 09MAR10

APVD TOM MICHIELUTTI 09MAR10



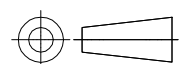
FOR ADDITIONAL PRODUCT INFORMATION OR COPIES OF DRAWINGS AND TECHNICAL DOCUMENTS

PRODUCT INFORMATION CENTER
1-800-522-6752

MAX RECOMMENDED OPERATING TEMPERATURE:
105°C [221°F]

VOLTAGE RATING:
300 V MAX

DIMENSIONS:
mm [INCHES]



TOLERANCES UNLESS OTHERWISE SPECIFIED:

- 0 PLC ± -
- 1 PLC ± -
- 2 PLC ± -
- 3 PLC ± 0.127[.005]
- 4 PLC ± -
- 4 PLC ANGLES ± 5°

PRODUCT SPEC

APPLICATION SPEC

114-2157

WEIGHT

NAME
WIRE TERMINAL, PIDG,
SPRING SPADE
WIRE SIZE: 26-22

SIZE	CAGE CODE	DRAWING NO	RESTRICTED TO
A3	00779	C-52921	-

FOR APPLICATION TOOLING INFORMATION

TOOLING ASSISTANCE CENTER
1-800-722-1111

WIRE CROSS SECTIONAL AREA RANGE,
0.10-0.41mm²[202-810] CIR MILS
STRANDED

MATERIAL
4

FINISH
5

CUSTOMER DRAWING

SCALE	SHEET	REV
8:1	1 OF 1	G1