

## Voltage Protection for 2-Series, 3-Series, or 4-Series Cell Li-Ion Batteries (Second-Level Protection)

Check for Samples: [bq29440](#), [bq2944L0](#), [bq29441](#), [bq29442](#), [bq29443](#), [bq29449](#), [bq2944L9](#)

### FEATURES

- 2-Series, 3-Series, or 4-Series Cell Secondary Protection
- External Capacitor-Controlled Delay Timer
- Low Power Consumption  $I_{CC} < 2 \mu\text{A}$  Typical [ $V_{\text{CELL(ALL)}} < V_{\text{PROTECT}}$ ]
- High-Accuracy Overvoltage Protection:  $\pm 25$  mV with  $T_A = 0^\circ\text{C}$  to  $60^\circ\text{C}$
- Fixed Overvoltage Protection Thresholds: 4.30 V, 4.35 V, 4.40 V, 4.45 V, 4.50 V
- Small 8L QFN Package

### APPLICATIONS

- Second-Level Protection in Li-Ion Battery Packs
  - Notebook Computers
  - Power Tools
  - Portable Equipment and Instrumentation

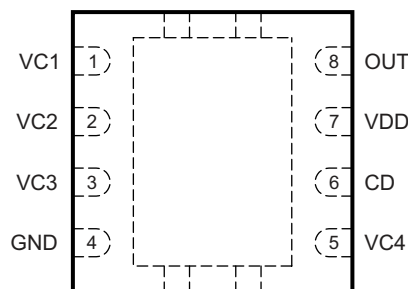
### DESCRIPTION

The bq2944x is a secondary overvoltage protection IC for 2-series, 3-series, or 4-series cell Li-Ion battery packs that incorporates a high-accuracy precision overvoltage detection circuit.

### FUNCTION

The voltage of each cell in a battery pack is compared to an internal reference voltage. If any cells reach an overvoltage condition, the bq2944x device starts a timer that provides a delay proportional to the capacitance on the CD pin. Upon expiration of the internal timer, the OUT pin changes from a low state to a high state. An optional latch configuration is available that holds the OUT pin in a high state indefinitely after an overvoltage condition has satisfied the specified delay timer period. The latch is released when the CD pin is shorted to GND.

DRB Package  
(Top View)



P0012-02



Please be aware that an important notice concerning availability, standard warranty, and use in critical applications of Texas Instruments semiconductor products and disclaimers thereto appears at the end of this data sheet.



These devices have limited built-in ESD protection. The leads should be shorted together or the device placed in conductive foam during storage or handling to prevent electrostatic damage to the MOS gates.

**Table 1. ORDERING INFORMATION<sup>(1)</sup>**

T <sub>A</sub>	PART NUMBER	OUT PIN LATCH OPTION	PACKAGE	PACKAGE DESIGNATOR	PACKAGE MARKING	OVP	ORDERING INFORMATION <sup>(2)</sup>	
							TAPE AND REEL (LARGE) <sup>(3)</sup>	TAPE AND REEL (SMALL) <sup>(4)</sup>
-40°C to +110°C	BQ29440	No	QFN-8	DRB	440	4.35 V	BQ29440DRBR	BQ29440DRBT
	BQ2944L0	Yes			44L0	4.35 V	BQ2944L0DRBR	BQ2944L0DRBT
	BQ29441	No			441	4.40 V	BQ29441DRBR	BQ29441DRBT
	BQ29442	No			442	4.45 V	BQ29442DRBR	BQ29442DRBT
	BQ29443	No			443	4.50 V	BQ29443DRBR	BQ29443DRBT
	BQ29449	No			449	4.30 V	BQ29449DRBR	BQ29449DRBT
	BQ2944L9	Yes			44L9	4.30 V	BQ2944L9DRBR	BQ2944L9DRBT

- (1) Example: bq2944L0DRBR is a device with the OUT latch option with a V<sub>OV</sub> threshold of 4.35 V. Contact Texas Instruments for other V<sub>OV</sub> threshold options.
- (2) For the most current package and ordering information, see the Package Addendum at the end of this document, or the TI website at www.ti.com.
- (3) Large tape and reel quantity is 3,000 units.
- (4) Small tape and reel quantity is 250 units.

## THERMAL INFORMATION

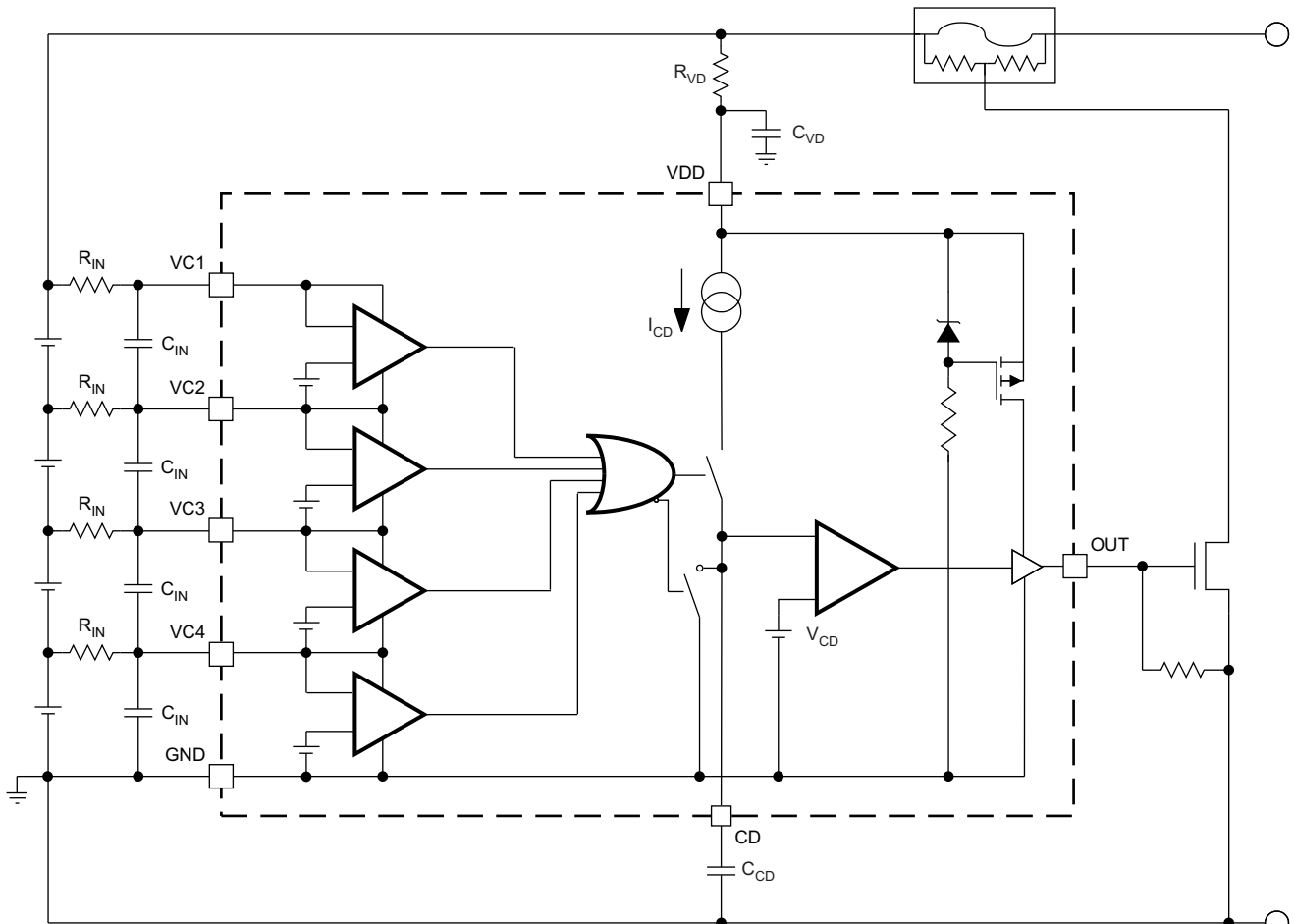
THERMAL METRIC <sup>(1)</sup>		bq2944x	UNITS
		DRB	
		8 PINS	
θ <sub>JA</sub>	Junction-to-ambient thermal resistance <sup>(2)</sup>	50.5	°C/W
θ <sub>JC(top)</sub>	Junction-to-case(top) thermal resistance <sup>(3)</sup>	25.1	
θ <sub>JB</sub>	Junction-to-board thermal resistance <sup>(4)</sup>	19.3	
ψ <sub>JT</sub>	Junction-to-top characterization parameter <sup>(5)</sup>	0.7	
ψ <sub>JB</sub>	Junction-to-board characterization parameter <sup>(6)</sup>	18.9	
θ <sub>JC(bottom)</sub>	Junction-to-case(bottom) thermal resistance <sup>(7)</sup>	5.2	

- (1) For more information about traditional and new thermal metrics, see the *IC Package Thermal Metrics* application report, [SPRA953](#).
- (2) The junction-to-ambient thermal resistance under natural convection is obtained in a simulation on a JEDEC-standard, high-K board, as specified in JESD51-7, in an environment described in JESD51-2a.
- (3) The junction-to-case (top) thermal resistance is obtained by simulating a cold plate test on the package top. No specific JEDEC-standard test exists, but a close description can be found in the ANSI SEMI standard G30-88.
- (4) The junction-to-board thermal resistance is obtained by simulating in an environment with a ring cold plate fixture to control the PCB temperature, as described in JESD51-8.
- (5) The junction-to-top characterization parameter, ψ<sub>JT</sub>, estimates the junction temperature of a device in a real system and is extracted from the simulation data for obtaining θ<sub>JA</sub>, using a procedure described in JESD51-2a (sections 6 and 7).
- (6) The junction-to-board characterization parameter, ψ<sub>JB</sub>, estimates the junction temperature of a device in a real system and is extracted from the simulation data for obtaining θ<sub>JA</sub>, using a procedure described in JESD51-2a (sections 6 and 7).
- (7) The junction-to-case (bottom) thermal resistance is obtained by simulating a cold plate test on the exposed (power) pad. No specific JEDEC standard test exists, but a close description can be found in the ANSI SEMI standard G30-88.

## PIN FUNCTIONS

PIN NAME	PIN NO.	DESCRIPTION
CD	6	Connection to external capacitor for programmable delay time
GND	4	Ground pin
OUT	8	Output
VC1	1	Sense voltage input for top cell
VC2	2	Sense voltage input for second-to-top cell
VC3	3	Sense voltage input for third-to-top cell
VC4	5	Sense voltage input for fourth-to-top cell (bottom cell)
VDD	7	Power supply

FUNCTIONAL BLOCK DIAGRAM



B0394-01

ABSOLUTE MAXIMUM RATINGS<sup>(1)</sup>

over operating free-air temperature range (unless otherwise noted)

		VALUE/UNIT
Supply voltage range, $V_{MAX}$	VDD–GND	–0.3 to 28 V
Input voltage range, $V_{IN}$	VC1–GND, VC2–GND, VC3–GND	–0.3 to 28 V
	VC1–VC2, VC2–VC3, VC3–VC4, VC4–GND	–0.3 to 8 V
	CD–GND	–0.3 to 8 V
Output voltage range, $V_{OUT}$	OUT–GND	–0.3 to 28 V
Storage temperature range, $T_{stg}$		–65°C to 150°C

(1) Stresses beyond those listed under *Absolute Maximum Ratings* may cause permanent damage to the device. These are stress ratings only and functional operation of the device at these or any other conditions beyond those indicated under *Recommended Operating Conditions* is not implied. Exposure to absolute-maximum-rated conditions for extended periods may affect device reliability.

RECOMMENDED OPERATING CONDITIONS

		MIN	NOM	MAX	UNIT
Supply voltage, VDD		4		25	V
Input voltage range	VC1–VC2, VC2–VC3, VC3–VC4, VC4–GND	0		5	V
$t_{d(CD)}$ delay-time capacitance	$C_{CD}$ (See Figure 7.)		0.1		$\mu$ F
Voltage monitor filter resistance	$R_{IN}$ (See Figure 7.)	0.1	1		k $\Omega$

## RECOMMENDED OPERATING CONDITIONS (continued)

		MIN	NOM	MAX	UNIT
Voltage monitor filter capacitance	$C_{IN}$ (See Figure 7.)	0.01	0.1		$\mu\text{F}$
Supply voltage filter resistance	$R_{VD}$ (See Figure 7.)	0.1		1	$\text{k}\Omega$
Supply voltage filter capacitance	$C_{VD}$ (See Figure 7.)		0.1		$\mu\text{F}$
Operating ambient temperature range, $T_A$		-40		110	$^{\circ}\text{C}$

## ELECTRICAL CHARACTERISTICS

Typical values stated where  $T_A = 25^{\circ}\text{C}$  and  $V_{DD} = 17\text{ V}$ , MIN/MAX values stated where  $T_A = -40^{\circ}\text{C}$  to  $110^{\circ}\text{C}$  and  $V_{DD} = 4\text{ V}$  to  $25\text{ V}$  (unless otherwise noted).

PARAMETER		TEST CONDITION	MIN	NOM	MAX	UNIT
$V_{PROTECT}$	Overvoltage detection voltage	bq29440		4.35		V
		bq29441		4.40		
		bq29442		4.45		
		bq29443		4.50		
		bq29449		4.30		
$V_{HYS}$	Overvoltage detection hysteresis	For non-latch devices only	200	300	400	mV
$V_{OA}$	Overvoltage detection accuracy	$T_A = 25^{\circ}\text{C}$	-10		10	mV
$V_{OA\_DRIFT}$	Overvoltage threshold temperature drift	$T_A = 0^{\circ}\text{C}$ to $60^{\circ}\text{C}$	-0.4		0.4	mV/ $^{\circ}\text{C}$
		$T_A = -40^{\circ}\text{C}$ to $110^{\circ}\text{C}$	-0.6		0.6	
$X_{DELAY}$	Overvoltage delay time scale factor	$T_A = 0^{\circ}\text{C}$ to $60^{\circ}\text{C}$ Note: Does not include external capacitor variation	6.0	9.0	12	s/ $\mu\text{F}$
		$T_A = -40^{\circ}\text{C}$ to $110^{\circ}\text{C}$ Note: Does not include external capacitor variation	5.5	9.0	13.5	
$X_{DELAY\_CTM}$	Overvoltage delay time scale factor in Customer Test Mode	See CUSTOMER TEST MODE.		0.08		s/ $\mu\text{F}$
$I_{CD(CHG)}$	Overvoltage detection charging current	See Figure 1.		140		nA
$I_{CD(DSG)}$	Overvoltage detection discharging current	See Figure 2.		60		$\mu\text{A}$
$V_{CD}$	Overvoltage detection external capacitor comparator threshold			1.2		V
$I_{CC}$	Supply current	(VC1-VC2), (VC2-VC3), (VC3-VC4) and (VC4-GND) = 3.5 V See Figure 3.		2	3.5	$\mu\text{A}$
$V_{OUT}$	OUT pin drive voltage	(VC1-VC2), (VC2-VC3), (VC3-VC4) or (VC4-GND) = $V_{PROTECT}$ , $V_{DD} = 20\text{ V}$ , $I_{OH} = 0$ to $-10\ \mu\text{A}$	6.5	8.0	9.5	V
		(VC1-VC2), (VC2-VC3), (VC3-VC4) or (VC4-GND) = $V_{PROTECT}$ , $V_{DD} = 4.35\text{ V}$ , $I_{OL} = -10\ \mu\text{A}$ , $T_A = 0^{\circ}\text{C}$ to $60^{\circ}\text{C}$	1.50	3.0		V
		(VC1-VC2), (VC2-VC3), (VC3-VC4) or (VC4-GND) = $V_{PROTECT}$ , $V_{DD} > 6\text{ V}$ , $I_{OH} = -10\ \mu\text{A}$ , $T_A = 0^{\circ}\text{C}$ to $60^{\circ}\text{C}$	2.0	3.0		V
		(VC1-VC2), (VC2-VC3), (VC3-VC4) or (VC4-GND) = 4 V, $I_{OL} = 0\ \mu\text{A}$			0.1	V
$I_{OUT(SHORT)}$	OUT short circuit current	OUT = 0 V, (VC1-VC2), (VC2-VC3), (VC3-VC4) or (VC4-GND) > $V_{PROTECT}$ , $V_{DD} = 18\text{ V}$			4	mA
$t_{r(OUT)}^{(1)}$	OUT output rise time	$C_L = 1\text{ nF}$ , $V_{DD} = 4\text{ V}$ to $25\text{ V}$ , $V_{OH(OUT)} = 0\text{ V}$ to $5\text{ V}$		5		$\mu\text{s}$
$Z_{O(OUT)}^{(1)}$	OUT output impedance			2		$\text{k}\Omega$

(1) Specified by design. Not 100% tested in production.

### ELECTRICAL CHARACTERISTICS (continued)

Typical values stated where  $T_A = 25^\circ\text{C}$  and  $V_{DD} = 17\text{ V}$ , MIN/MAX values stated where  $T_A = -40^\circ\text{C}$  to  $110^\circ\text{C}$  and  $V_{DD} = 4\text{ V}$  to  $25\text{ V}$  (unless otherwise noted).

PARAMETER	TEST CONDITION	MIN	NOM	MAX	UNIT
$I_{IN}$ Input current at VCx pins	Measured at VC1, (VC1–VC2), (VC2–VC3), (VC3–VC4) and (VC4–GND) = 3.5 V, $T_A = 0^\circ\text{C}$ to $60^\circ\text{C}$ See Figure 3.	-0.3		1.5	$\mu\text{A}$
	Measured at VC2, VC3 OR VC4, (VC1–VC2), (VC2–VC3), (VC3–VC4) and (VC4–GND) = 3.5 V, $T_A = 0^\circ\text{C}$ to $60^\circ\text{C}$ See Figure 3.	-0.3		0.3	$\mu\text{A}$

### TYPICAL CHARACTERISTICS

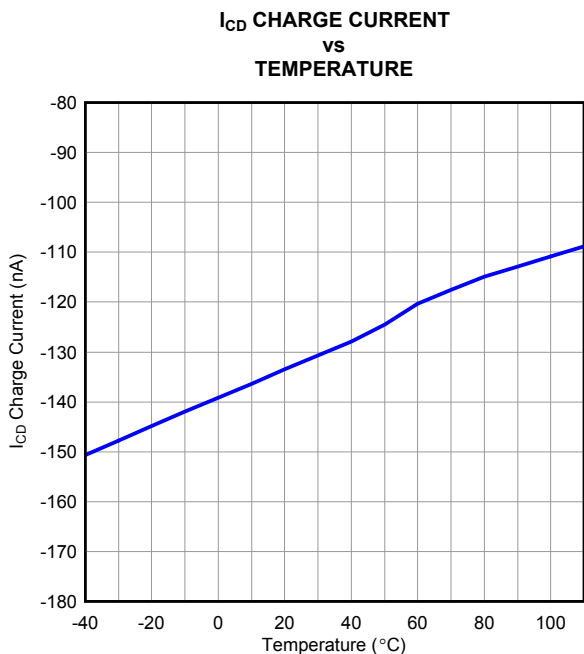


Figure 1.  $I_{CD}$  Charge Current

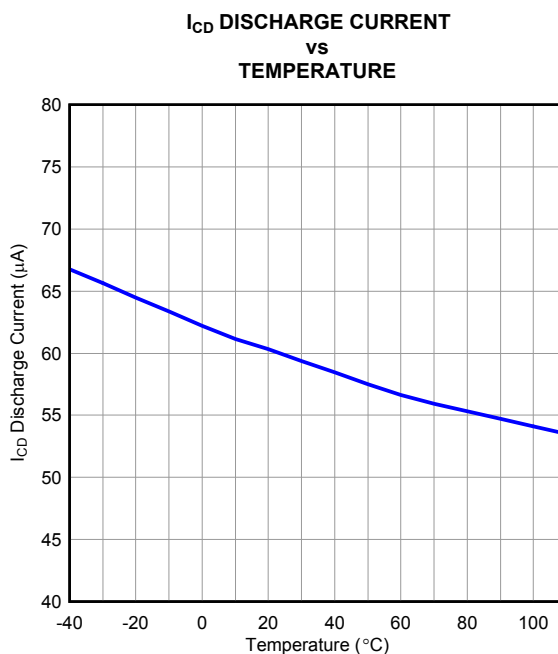


Figure 2.  $I_{CD}$  Discharge Current

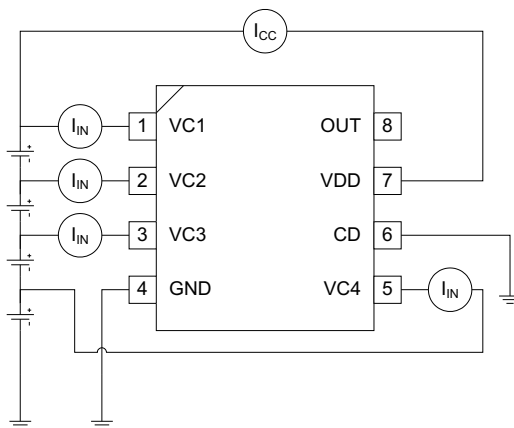
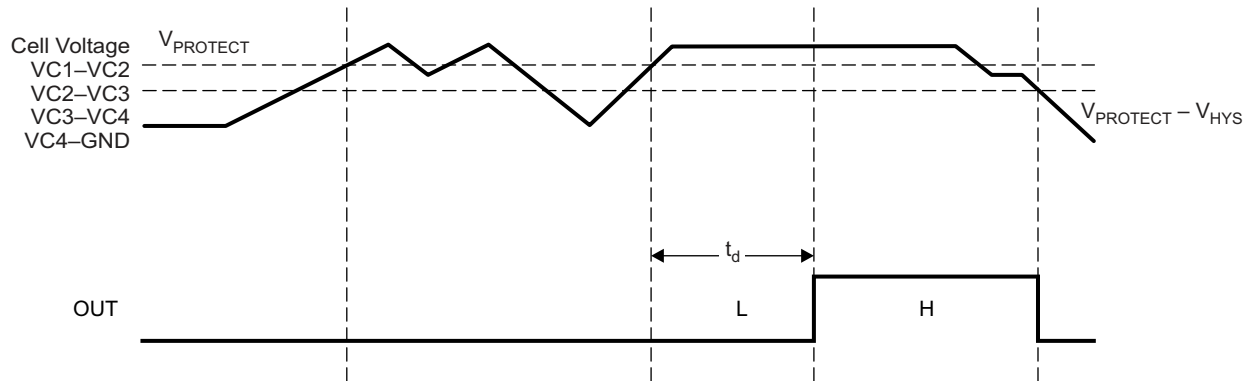


Figure 3.  $I_{CC}$ ,  $I_{IN}$  Measurement

## APPLICATIONS INFORMATION

### PROTECTION (OUT) TIMING AND DELAY TIME CAPACITOR SIZING

The bq2944x uses an external capacitor to set delay timing during an overvoltage condition. When any of the cells exceed the overvoltage threshold, the bq2944x activates an internal current source of nominally 140 nA, which charges the external capacitor. When the external capacitor charges up to a voltage of nominally 1.2 V, the OUT pin transitions from a low state to a high state, by means of an internal pull-up network, to a regulated voltage of no more than 9.5 V when  $I_{OH} = 0$  mA.



T0461-01

**Figure 4. Timing for Overvoltage Sensing**

Sizing the external capacitor is based on the desired delay time as follows:

$$C_{CD} = \frac{t_d}{X_{DELAY}}$$

Where  $t_d$  is the desired delay time and  $X_{DELAY}$  is the overvoltage delay time scale factor, expressed in seconds per microFarad.  $X_{DELAY}$  is nominally 9.0 s/ $\mu$ F. For example, if a nominal delay of 3 seconds is desired, the customer should use a  $C_{CD}$  capacitor that is  $3 \text{ s}/9.0 \text{ s}/\mu\text{F} = 0.33 \mu\text{F}$ .

The delay time is calculated as follows:

$$t_d = C_{CD} \times X_{DELAY}$$

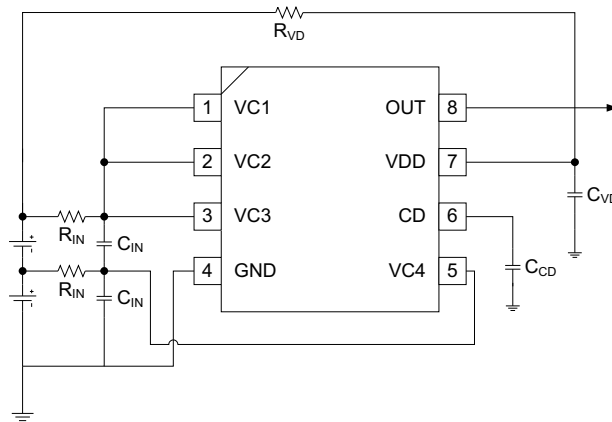
If the cell overvoltage condition is removed before the external capacitor reaches the reference voltage, the internal current source is disabled and an internal discharge block is employed to discharge the external capacitor down to 0 V. In this instance, the OUT pin remains in a low state.

For latched versions of the bq2944x, if an overvoltage condition has caused the OUT pin to transition to a high state, the external capacitor remains charged even after the overvoltage condition has been removed. In this instance, the OUT pin remains in a high state.

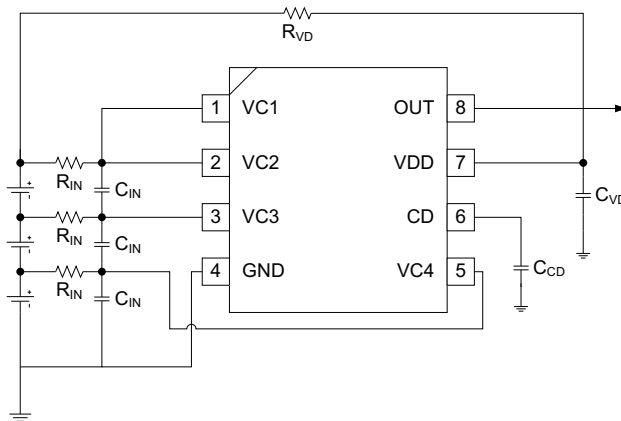
For non-latched versions, the OUT pin is allowed to transition back from a high to low state when the overvoltage condition is no longer present, and the external capacitor is discharged down to 0 V.

**BATTERY CONNECTION FOR 2-SERIES, 3-SERIES, AND 4-SERIES CELL CONFIGURATIONS**

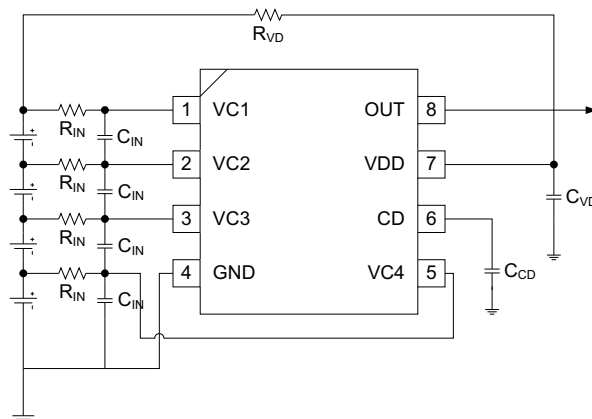
Figure 5, Figure 6, and Figure 7 show the 2-series, 3-series, and 4-series cell configurations.



**Figure 5. 2-Series Cell Configuration**



**Figure 6. 3-Series Cell Configuration**



**Figure 7. 4-Series Cell Configuration**

## CELL CONNECTION SEQUENCE

### NOTE

Before connecting the cells, propagate the overvoltage delay timing capacitor,  $C_{CD}$ .

The recommended cell connection sequence begins from the bottom of the stack, as follows:

1. GND
2. VC4
3. VC3
4. VC2
5. VC1

While not advised, connecting the cells in a sequence other than that described above does not result in errant activity on the OUT pin. For example:

1. GND
2. VC4, VC3, VC2, or VC1
3. Remaining VCx pin
4. Remaining VCx pin
5. Remaining VCx pin

## CUSTOMER TEST MODE

Customer Test Mode (CTM) helps to greatly reduce the overvoltage detection delay time and enable quicker customer production testing. This mode is intended for quick-pass board-level verification tests, and, as such, individual cell overvoltage levels may deviate slightly from the specifications ( $V_{PROTECT}$ ,  $V_{OA}$ ). If accurate overvoltage thresholds are to be tested, use the standard delay settings that are intended for normal use.

To enter CTM, VDD should be set to approximately 9.5 V higher than VC1. When CTM is entered, the device switches from the normal overvoltage delay time scale factor,  $X_{DELAY}$ , to a significantly reduced factor,  $X_{DELAY\_CTM}$ , thereby reducing the delay time during an overvoltage condition. The CTM overvoltage delay time is similar to the equation presented in [PROTECTION \(OUT\) TIMING AND DELAY TIME CAPACITOR SIZING](#) with the substitution of  $X_{DELAY\_CTM}$  in place of  $X_{DELAY}$ :

$$t_{d\_CTM} = C_{CD} \times X_{DELAY\_CTM}$$

### CAUTION

Avoid exceeding any Absolute Maximum Voltages on any pins when placing the part into Customer Test Mode. Also, avoid exceeding Absolute Maximum Voltages for the individual cell voltages (VC1–VC2), (VC2–VC3), (VC3–VC4), and (VC4–GND). Stressing the pins beyond the rated limits may cause permanent damage to the device.

To exit CTM, power off the device and then power it back on.

For latched versions of the bq2944x, the external  $C_{CD}$  capacitor must be externally discharged if any overvoltage functionality is exercised during protection testing. This can be accomplished by shorting the CD pin to GND. If the  $C_{CD}$  capacitor is not explicitly discharged, a residual charge may cause the overvoltage delay time to be inaccurate.



## REVISION HISTORY

Changes from Revision B (June 2010) to Revision C	Page
• Added new protection thresholds .....	1
• Changed occurrences of $V_{DD}$ to VDD throughout document .....	1
• Added part numbers .....	2
• Changed the Functional Block Diagram .....	3
• Changed the Electrical Characteristics .....	4
• Deleted 3.5 from one of the maximum values from the $V_{OUT}$ specification .....	4
• Changed nominal delay time .....	6

**PACKAGING INFORMATION**

Orderable Device	Status (1)	Package Type	Package Drawing	Pins	Package Qty	Eco Plan (2)	Lead finish/ Ball material (6)	MSL Peak Temp (3)	Op Temp (°C)	Device Marking (4/5)	Samples
BQ29440DRBR	ACTIVE	SON	DRB	8	3000	RoHS & Green	NIPDAU	Level-2-260C-1 YEAR	-40 to 85	440	<a href="#">Samples</a>
BQ29440DRBT	ACTIVE	SON	DRB	8	250	RoHS & Green	NIPDAU	Level-2-260C-1 YEAR	-40 to 85	440	<a href="#">Samples</a>
BQ29441DRBR	ACTIVE	SON	DRB	8	3000	RoHS & Green	NIPDAU	Level-2-260C-1 YEAR	-40 to 85	441	<a href="#">Samples</a>
BQ29441DRBT	ACTIVE	SON	DRB	8	250	RoHS & Green	NIPDAU	Level-2-260C-1 YEAR	-40 to 85	441	<a href="#">Samples</a>
BQ29442DRBR	ACTIVE	SON	DRB	8	3000	RoHS & Green	NIPDAU	Level-2-260C-1 YEAR	-40 to 85	442	<a href="#">Samples</a>
BQ29442DRBT	ACTIVE	SON	DRB	8	250	RoHS & Green	NIPDAU	Level-2-260C-1 YEAR	-40 to 85	442	<a href="#">Samples</a>
BQ29443DRBR	ACTIVE	SON	DRB	8	3000	RoHS & Green	NIPDAU	Level-2-260C-1 YEAR	-40 to 85	443	<a href="#">Samples</a>
BQ29443DRBT	ACTIVE	SON	DRB	8	250	RoHS & Green	NIPDAU	Level-2-260C-1 YEAR	-40 to 85	443	<a href="#">Samples</a>
BQ29449DRBR	ACTIVE	SON	DRB	8	3000	RoHS & Green	NIPDAU	Level-2-260C-1 YEAR	-40 to 85	449	<a href="#">Samples</a>
BQ29449DRBT	ACTIVE	SON	DRB	8	250	RoHS & Green	NIPDAU	Level-2-260C-1 YEAR	-40 to 85	449	<a href="#">Samples</a>

(1) The marketing status values are defined as follows:

**ACTIVE:** Product device recommended for new designs.

**LIFEBUY:** TI has announced that the device will be discontinued, and a lifetime-buy period is in effect.

**NRND:** Not recommended for new designs. Device is in production to support existing customers, but TI does not recommend using this part in a new design.

**PREVIEW:** Device has been announced but is not in production. Samples may or may not be available.

**OBSOLETE:** TI has discontinued the production of the device.

(2) **RoHS:** TI defines "RoHS" to mean semiconductor products that are compliant with the current EU RoHS requirements for all 10 RoHS substances, including the requirement that RoHS substance do not exceed 0.1% by weight in homogeneous materials. Where designed to be soldered at high temperatures, "RoHS" products are suitable for use in specified lead-free processes. TI may reference these types of products as "Pb-Free".

**RoHS Exempt:** TI defines "RoHS Exempt" to mean products that contain lead but are compliant with EU RoHS pursuant to a specific EU RoHS exemption.

**Green:** TI defines "Green" to mean the content of Chlorine (Cl) and Bromine (Br) based flame retardants meet JS709B low halogen requirements of <=1000ppm threshold. Antimony trioxide based flame retardants must also meet the <=1000ppm threshold requirement.

(3) MSL, Peak Temp. - The Moisture Sensitivity Level rating according to the JEDEC industry standard classifications, and peak solder temperature.

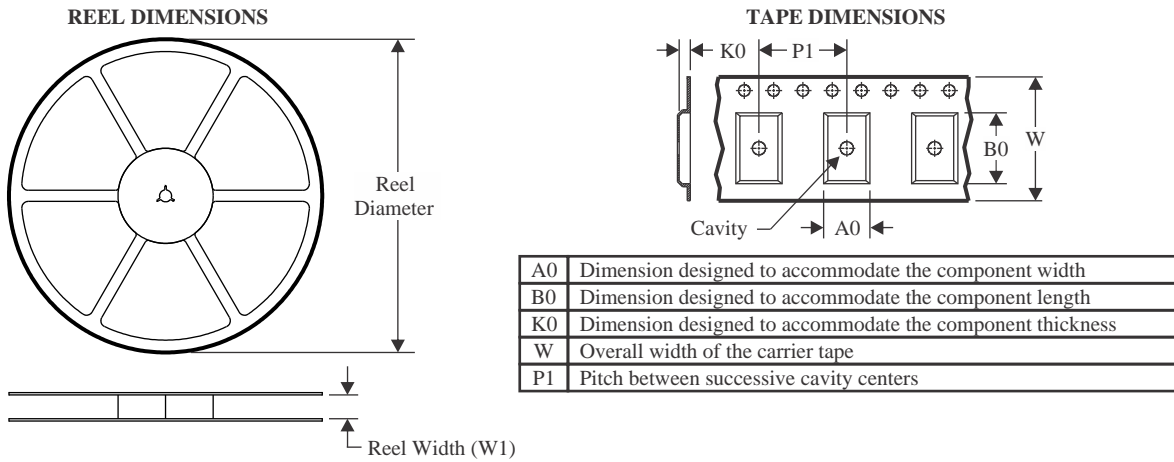
(4) There may be additional marking, which relates to the logo, the lot trace code information, or the environmental category on the device.

<sup>(5)</sup> Multiple Device Markings will be inside parentheses. Only one Device Marking contained in parentheses and separated by a "~" will appear on a device. If a line is indented then it is a continuation of the previous line and the two combined represent the entire Device Marking for that device.

<sup>(6)</sup> Lead finish/Ball material - Orderable Devices may have multiple material finish options. Finish options are separated by a vertical ruled line. Lead finish/Ball material values may wrap to two lines if the finish value exceeds the maximum column width.

**Important Information and Disclaimer:**The information provided on this page represents TI's knowledge and belief as of the date that it is provided. TI bases its knowledge and belief on information provided by third parties, and makes no representation or warranty as to the accuracy of such information. Efforts are underway to better integrate information from third parties. TI has taken and continues to take reasonable steps to provide representative and accurate information but may not have conducted destructive testing or chemical analysis on incoming materials and chemicals. TI and TI suppliers consider certain information to be proprietary, and thus CAS numbers and other limited information may not be available for release.

In no event shall TI's liability arising out of such information exceed the total purchase price of the TI part(s) at issue in this document sold by TI to Customer on an annual basis.

**TAPE AND REEL INFORMATION**

**QUADRANT ASSIGNMENTS FOR PIN 1 ORIENTATION IN TAPE**


\*All dimensions are nominal

Device	Package Type	Package Drawing	Pins	SPQ	Reel Diameter (mm)	Reel Width W1 (mm)	A0 (mm)	B0 (mm)	K0 (mm)	P1 (mm)	W (mm)	Pin1 Quadrant
BQ29440DRBR	SON	DRB	8	3000	330.0	12.4	3.3	3.3	1.1	8.0	12.0	Q2
BQ29440DRBT	SON	DRB	8	250	180.0	12.4	3.3	3.3	1.1	8.0	12.0	Q2
BQ29441DRBR	SON	DRB	8	3000	330.0	12.4	3.3	3.3	1.1	8.0	12.0	Q2
BQ29441DRBT	SON	DRB	8	250	180.0	12.4	3.3	3.3	1.1	8.0	12.0	Q2
BQ29442DRBR	SON	DRB	8	3000	330.0	12.4	3.3	3.3	1.1	8.0	12.0	Q2
BQ29442DRBT	SON	DRB	8	250	180.0	12.4	3.3	3.3	1.1	8.0	12.0	Q2
BQ29443DRBR	SON	DRB	8	3000	330.0	12.4	3.3	3.3	1.1	8.0	12.0	Q2
BQ29443DRBT	SON	DRB	8	250	180.0	12.4	3.3	3.3	1.1	8.0	12.0	Q2
BQ29449DRBR	SON	DRB	8	3000	330.0	12.4	3.3	3.3	1.1	8.0	12.0	Q2
BQ29449DRBT	SON	DRB	8	250	180.0	12.4	3.3	3.3	1.1	8.0	12.0	Q2

**TAPE AND REEL BOX DIMENSIONS**


\*All dimensions are nominal

Device	Package Type	Package Drawing	Pins	SPQ	Length (mm)	Width (mm)	Height (mm)
BQ29440DRBR	SON	DRB	8	3000	346.0	346.0	33.0
BQ29440DRBT	SON	DRB	8	250	210.0	185.0	35.0
BQ29441DRBR	SON	DRB	8	3000	346.0	346.0	33.0
BQ29441DRBT	SON	DRB	8	250	210.0	185.0	35.0
BQ29442DRBR	SON	DRB	8	3000	346.0	346.0	33.0
BQ29442DRBT	SON	DRB	8	250	210.0	185.0	35.0
BQ29443DRBR	SON	DRB	8	3000	346.0	346.0	33.0
BQ29443DRBT	SON	DRB	8	250	210.0	185.0	35.0
BQ29449DRBR	SON	DRB	8	3000	346.0	346.0	33.0
BQ29449DRBT	SON	DRB	8	250	210.0	185.0	35.0

**DRB 8**

**GENERIC PACKAGE VIEW**

**VSON - 1 mm max height**

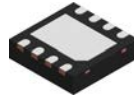
PLASTIC SMALL OUTLINE - NO LEAD



Images above are just a representation of the package family, actual package may vary.  
Refer to the product data sheet for package details.

4203482/L

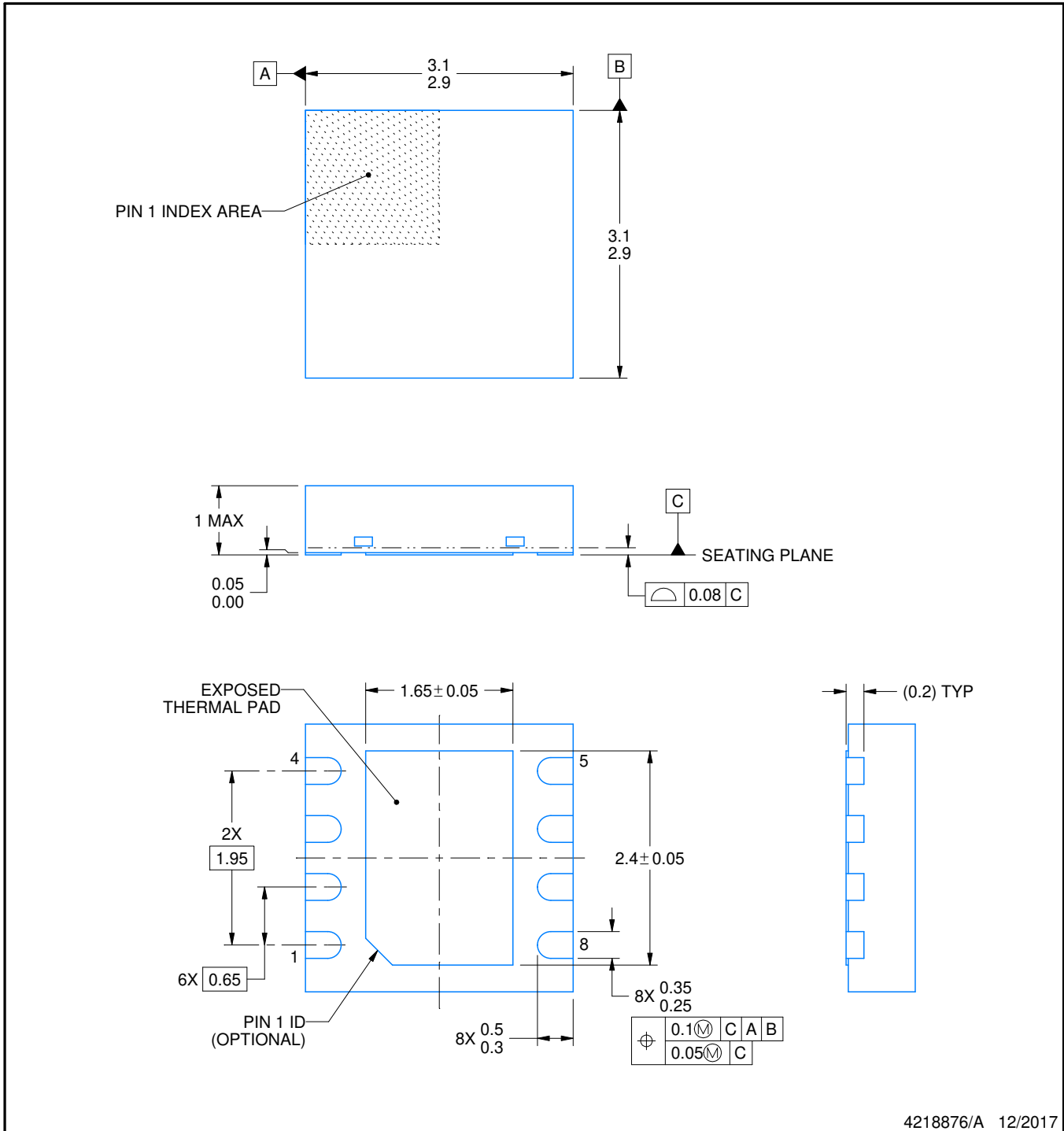
DRB0008B



# PACKAGE OUTLINE

VSON - 1 mm max height

PLASTIC SMALL OUTLINE - NO LEAD



4218876/A 12/2017

NOTES:

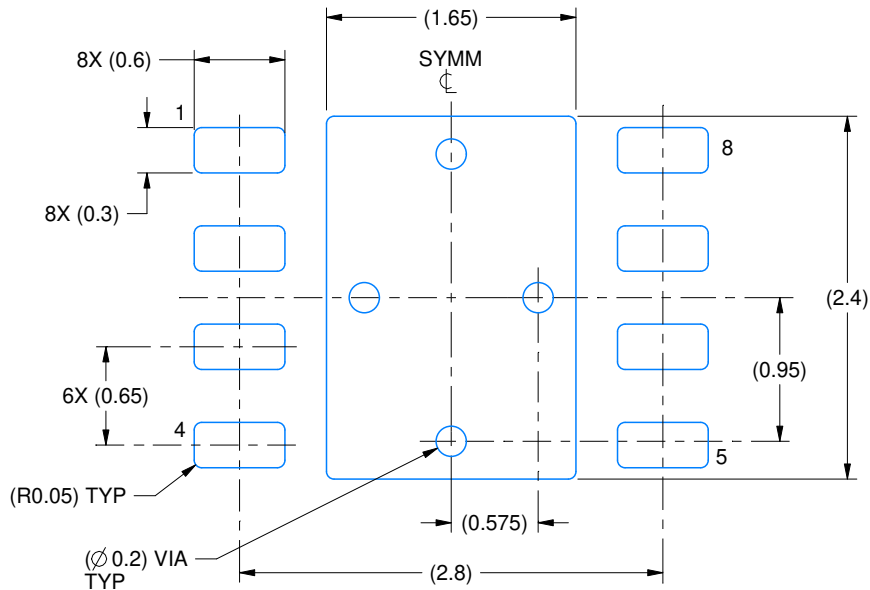
1. All linear dimensions are in millimeters. Any dimensions in parenthesis are for reference only. Dimensioning and tolerancing per ASME Y14.5M.
2. This drawing is subject to change without notice.
3. The package thermal pad must be soldered to the printed circuit board for thermal and mechanical performance.

# EXAMPLE BOARD LAYOUT

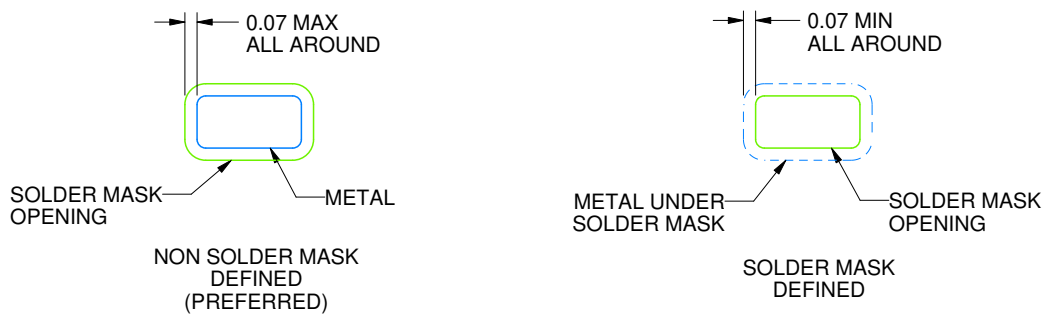
DRB0008B

VSON - 1 mm max height

PLASTIC SMALL OUTLINE - NO LEAD



LAND PATTERN EXAMPLE  
SCALE:20X



SOLDER MASK DETAILS

4218876/A 12/2017

NOTES: (continued)

4. This package is designed to be soldered to a thermal pad on the board. For more information, see Texas Instruments literature number SLUA271 ([www.ti.com/lit/slue271](http://www.ti.com/lit/slue271)).
5. Vias are optional depending on application, refer to device data sheet. If any vias are implemented, refer to their locations shown on this view. It is recommended that vias under paste be filled, plugged or tented.

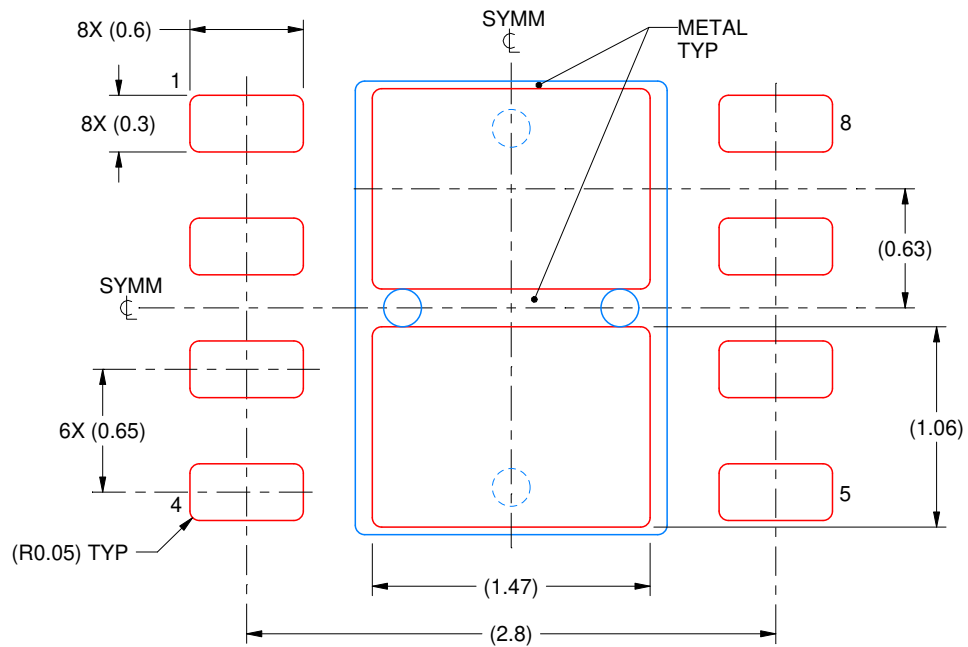


# EXAMPLE STENCIL DESIGN

DRB0008B

VSON - 1 mm max height

PLASTIC SMALL OUTLINE - NO LEAD



SOLDER PASTE EXAMPLE  
BASED ON 0.125 mm THICK STENCIL  
EXPOSED PAD  
81% PRINTED SOLDER COVERAGE BY AREA  
SCALE:25X

4218876/A 12/2017

NOTES: (continued)

6. Laser cutting apertures with trapezoidal walls and rounded corners may offer better paste release. IPC-7525 may have alternate design recommendations.

## IMPORTANT NOTICE AND DISCLAIMER

TI PROVIDES TECHNICAL AND RELIABILITY DATA (INCLUDING DATA SHEETS), DESIGN RESOURCES (INCLUDING REFERENCE DESIGNS), APPLICATION OR OTHER DESIGN ADVICE, WEB TOOLS, SAFETY INFORMATION, AND OTHER RESOURCES "AS IS" AND WITH ALL FAULTS, AND DISCLAIMS ALL WARRANTIES, EXPRESS AND IMPLIED, INCLUDING WITHOUT LIMITATION ANY IMPLIED WARRANTIES OF MERCHANTABILITY, FITNESS FOR A PARTICULAR PURPOSE OR NON-INFRINGEMENT OF THIRD PARTY INTELLECTUAL PROPERTY RIGHTS.

These resources are intended for skilled developers designing with TI products. You are solely responsible for (1) selecting the appropriate TI products for your application, (2) designing, validating and testing your application, and (3) ensuring your application meets applicable standards, and any other safety, security, regulatory or other requirements.

These resources are subject to change without notice. TI grants you permission to use these resources only for development of an application that uses the TI products described in the resource. Other reproduction and display of these resources is prohibited. No license is granted to any other TI intellectual property right or to any third party intellectual property right. TI disclaims responsibility for, and you will fully indemnify TI and its representatives against, any claims, damages, costs, losses, and liabilities arising out of your use of these resources.

TI's products are provided subject to [TI's Terms of Sale](#) or other applicable terms available either on [ti.com](https://www.ti.com) or provided in conjunction with such TI products. TI's provision of these resources does not expand or otherwise alter TI's applicable warranties or warranty disclaimers for TI products.

TI objects to and rejects any additional or different terms you may have proposed.

Mailing Address: Texas Instruments, Post Office Box 655303, Dallas, Texas 75265  
Copyright © 2023, Texas Instruments Incorporated