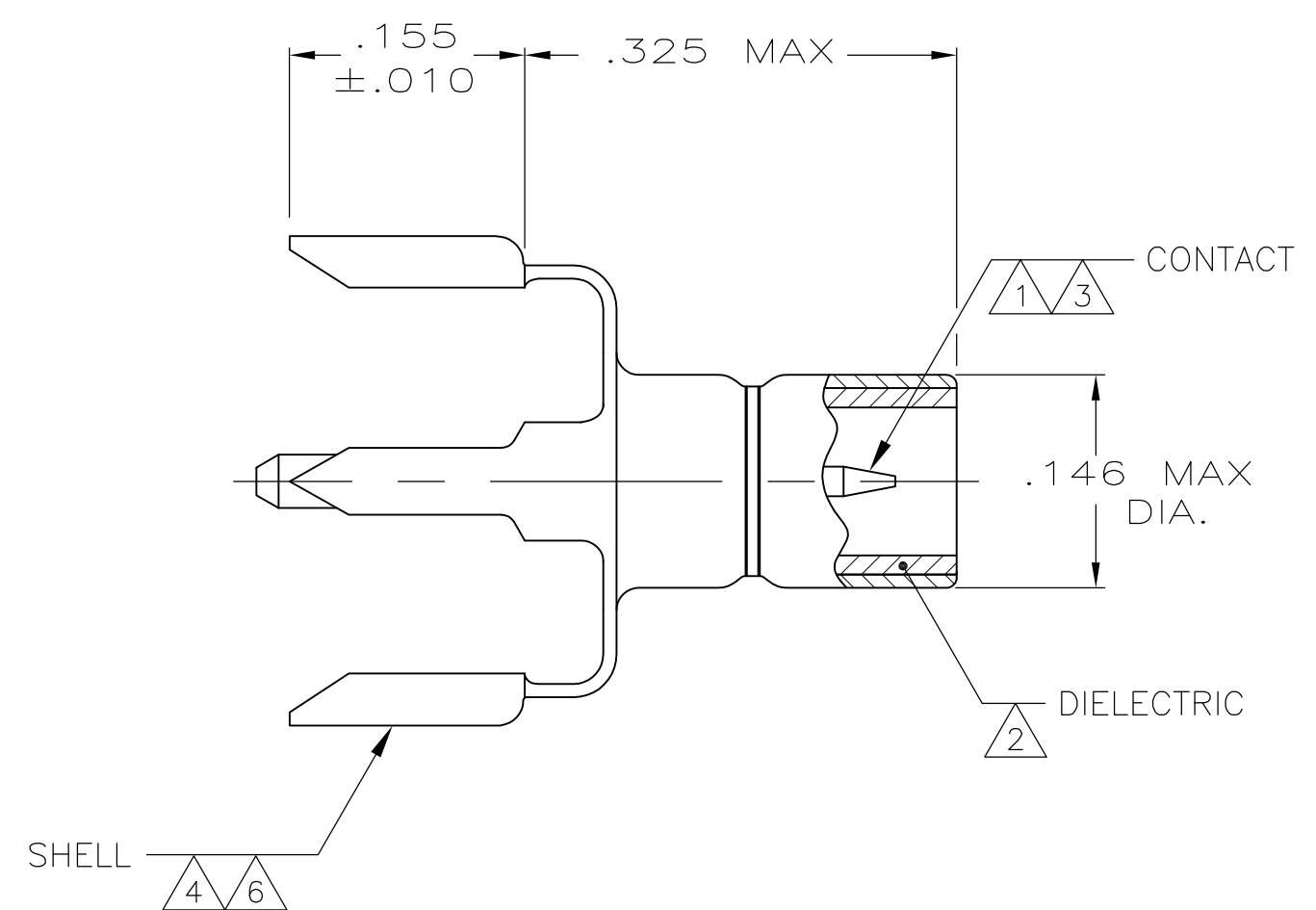
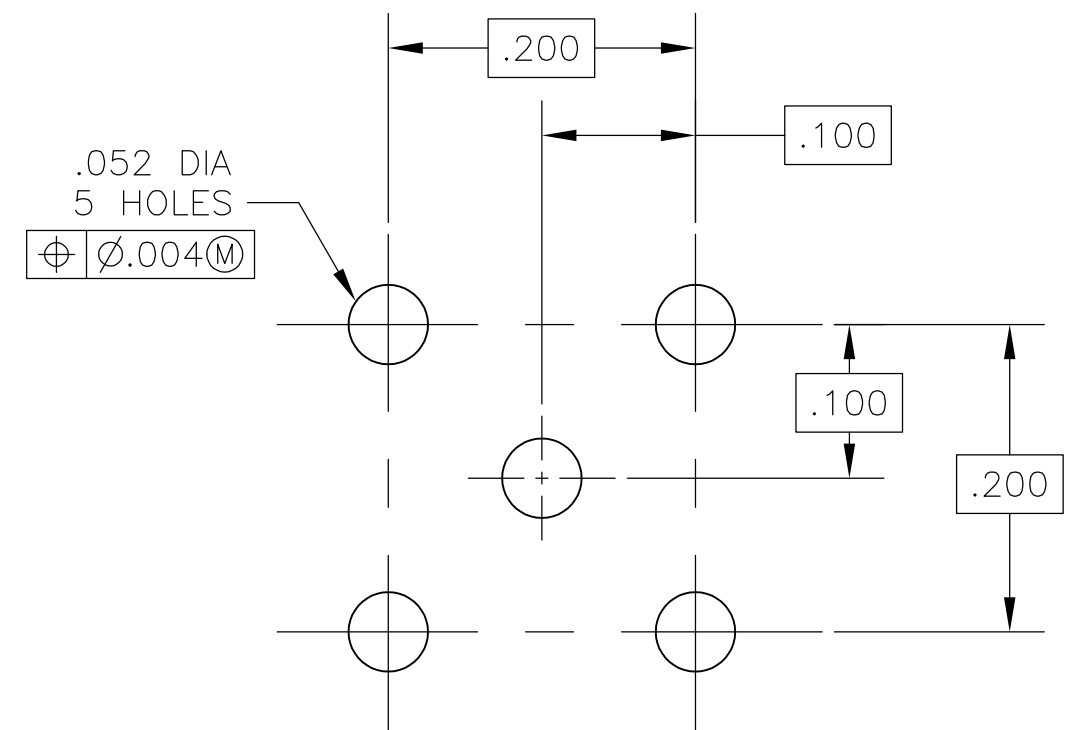


THIS DRAWING IS UNPUBLISHED. RELEASED FOR PUBLICATION
 © COPYRIGHT - By - ALL RIGHTS RESERVED.

LOC	DIST	REVISIONS			
P	LTR	DESCRIPTION	DATE	DWN	APVD
AJ	53	B1	ECR-12-005726	27MAR12	RK MY



- 1 BRASS PER ASTM-B-16.
- 2 PTFE PER ASTM-D-1710.
- 3 GOLD PLATE PER ASTM-B-488.
- 4 TIN PLATE PER ASTM-B-545.
- 5 NICKEL PLATE PER QQ-N-290.
- 6 BRASS PER ASTM-B-36.



RECOMMENDED PCB HOLE CONFIGURATION

221111-1
 PART NUMBER

THIS DRAWING IS A CONTROLLED DOCUMENT.		DWN T.SMITH 2-29-84	TE Connectivity			
DIMENSIONS: INCHES		CHK D.S.HEIDE 3-2-84				
TOLERANCES UNLESS OTHERWISE SPECIFIED:		APVD R.E.CAPP 3-2-84	NAME JACK,PCB, VERTICAL SMB			
0 PLC ± -		PRODUCT SPEC -	SIZE	CAGE CODE	DRAWING NO	RESTRICTED TO
1 PLC ± -		APPLICATION SPEC -	A3 00779		C=221111-1	-
2 PLC ± -		WEIGHT -	CUSTOMER DRAWING		SCALE 8:1	SHEET 1 OF 1
3 PLC ± .002					REV B1	
4 PLC ± -						
ANGLES ± -						
MATERIAL SEE NOTES		FINISH SEE NOTES				