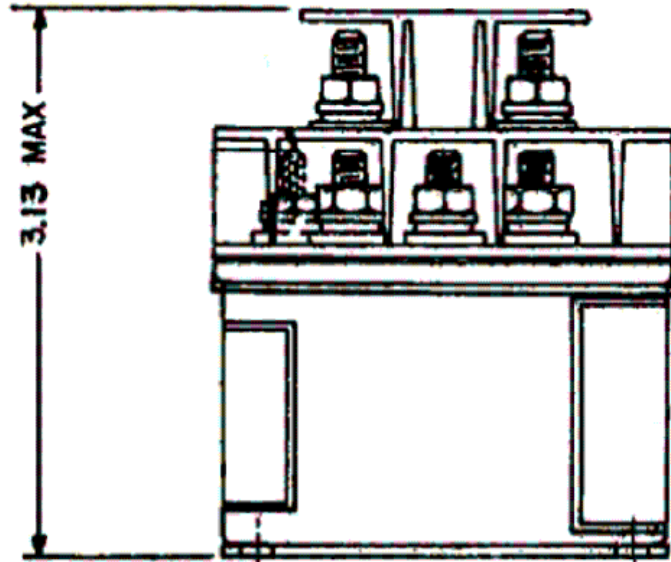
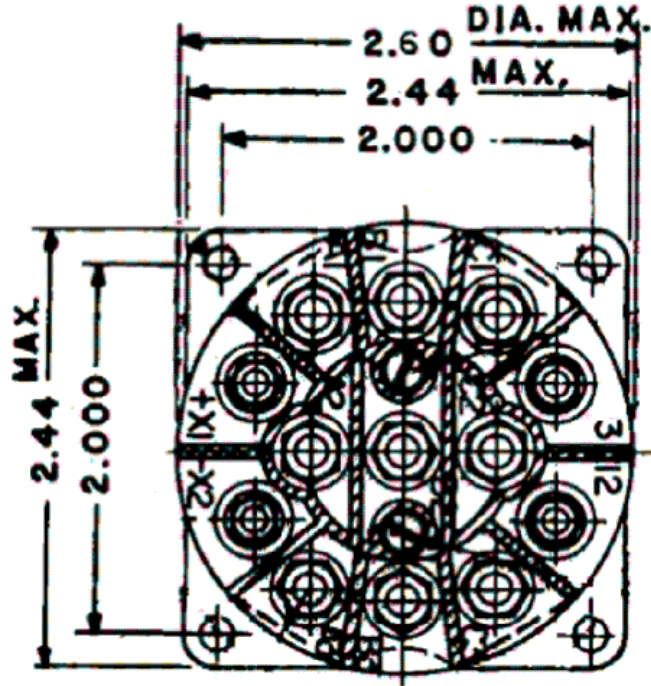


REVISIONS

REV.	ECO	DESCRIPTION	DATE	APPROVED
A	19043	2.60 WAS 2.50	02SEP1988	RS

D-7BC
 CONT. 60AMP 115/208 400 Hz
 3PDT SIDESTABLE SINGLE BREAK



ALL DIMENSIONS ARE IN INCHES



TE CONNECTIVITY
 175 N. DIAMOND STREET MANSFIELD,
 OHIO 44902

TITLE

CONT. 60AMP 115/208 400 Hz
 3PDT SIDESTABLE SINGLE BREAK

TE P.N.

1-1616522-5

DWG NO.

D-7BC

DS

DATA SHEET

CAGE CODE
 74063

SCALE
 NONE

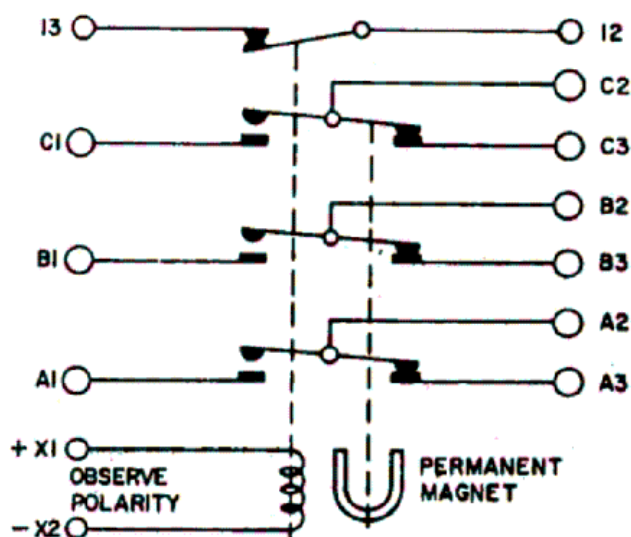
SHEET
 1 OF 2

REV
 A

GENERAL SPECIFICATION

CONSTRUCTION	GASKET SEALED
NOMINAL VOLTAGE	115/208 V, 400 HZ
CONTACT RATING	60 AMP, 115 V, 400 HZ
COIL DATA (MAX VDC)	30 VDC AT 71°C
(MIN VDC)	18 V, 71°C
DROPOUT	7 TO 1.5 VDC AT 71°C
RATED DUTY	CONTINUOUS
VIBRATION	PROC I, MIL-E - 5272
AUX CONTACT	SPST NC
AUX CONTACT RATING	5 AMP, 28 VDC OR 115V, 400 HZ
MAX WEIGHT	14 1/2 OZ.
MAX INTERRUPTING CAPACITY	450 A, 400 HZ
AMBIENT TEMP	-55° TO +71°C

SCHEMATIC



TE CONNECTIVITY
175 N. DIAMOND STREET MANSFIELD,
OHIO 44902

TITLE

CONT. 60AMP 115/208 400 Hz
3PDT SIDESTABLE SINGLE BREAK

TE P.N.

1-1616522-5

DWG NO.

D-7BC

DS

DATA SHEET

CAGE CODE
74063

SCALE
NONE

SHEET
1 OF 2

REV
A