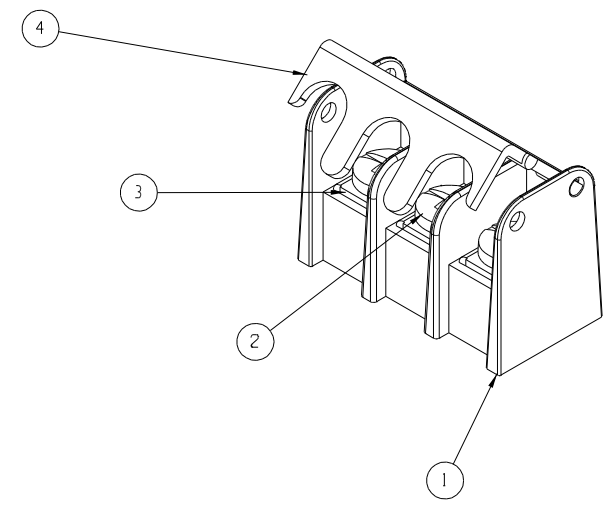
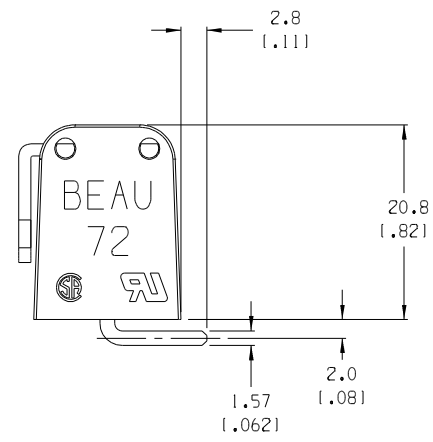
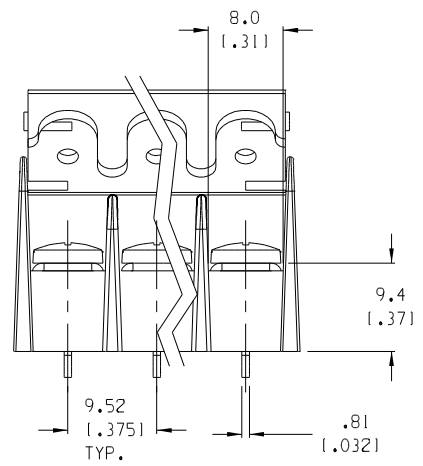
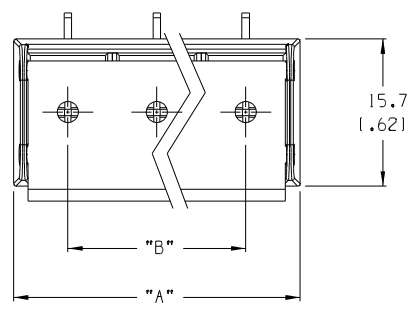


NUMBER OF CIRCUITS	"A" DIM.	"B" DIM.	MATERIAL NUMBER
03	30.68 (1.208)	19.05 (.750)	387291280
05	49.73 (1.959)	38.10 (1.500)	387291527



- NOTES:
1. MATERIAL: SEE TABLE
 2. FINISHES: SEE TABLE
 3. PRODUCT SPECIFICATION: NOT REQUIRED
 4. INCH DIMS ARE SHOWN IN PARENTHESIS (XXX)
 5. "XX" REFERS TO THE NUMBER OF CIRCUITS

FRONT VIEW SHOWN
WITH COVER ROTATED UP

ITEM	QTY.	DESCRIPTION	MATERIAL	FINISH
4	1	HINGED COVER	THERPLASTIC	BLACK
3	3	TERMINAL RIGHT ANGLE	BRASS	TIN
2	3	SCREW #6-32 X .250 BINDING HEAD	STEEL	ZN, CLEAR CHROMATE
1	1	INSULATOR	VALOX 457 Δ	BLACK

EC NO. ECO 11590
 DRWN: RS 09-10-04
 CH'K: APPR:
 DESCRIPTION: MAJOR CRITICAL SPC S
 REV: D

QUALITY SYMBOLS	GENERAL TOLERANCES* (UNLESS SPECIFIED)
4 PLACES	mm ±.0015 INCH ±.0015
3 PLACES	mm ±.038 INCH ±.005
2 PLACES	mm ±.13 INCH ±.01
1 PLACE	mm ±.3
ANGULAR: ±2°	
DRAFT WHERE APPLICABLE MUST REMAIN WITHIN DIMENSIONS	

SCALE	DESIGN UNITS	THIRD ANGLE PROJECTION
2:1	<input type="checkbox"/> mm <input checked="" type="checkbox"/> INCH	<input checked="" type="checkbox"/> THIRD ANGLE PROJECTION
DRAWN BY & DATE R. KEMP 10-21-02		
CHECKED BY & DATE R. STONE 10-23-02		
APPROVED BY & DATE P. WALTZ 10-23-02		
CAD FILENAME 72R8XX-C-H- Δ		

PROJECT NO.	SHT	REV
	1	-
DIMENSIONS:		
<input checked="" type="checkbox"/> mm INCH	<input type="checkbox"/> INCH mm	<input type="checkbox"/> mm ONLY
REVISE ON CAD ONLY		
TITLE:		
SR BTS, CS, PC RA, HINGED COVER		
MOLEX INCORPORATED		
MATERIAL NO.	DRAWING NO.	SHEET NO.
SEE CHART	SD-38729-025	1 OF 1
THIS DRAWING CONTAINS INFORMATION THAT IS PROPRIETARY TO MOLEX INCORPORATED AND SHOULD NOT BE USED WITHOUT WRITTEN PERMISSION.		
SIZE		B