

AIMB-256

Intel® Core™2 Duo Socket 479 Mini-ITX
with CRT/DVI/LVDS, 4 COM and Dual LAN



Features

- Supports Intel® Core™2 Duo/ Celeron® M mobile processor uFC-PGA 478 - GME965 and ICH8M
- Two 200-pin SODIMM sockets support up to 4 GB dual channel DDR2 533/667 MHz SDRAM
- Supports dual display for CRT, LVDS, and DVI
- Supports 4 serial ports, 3 SATA ports, 2 LAN ,CF and TPM1.2 (optional)
- Supports SUSIAccess and Embedded Software APIs

Software APIs:  SMBus  H/W Monitor  Watchdog  GPIO  Brightness

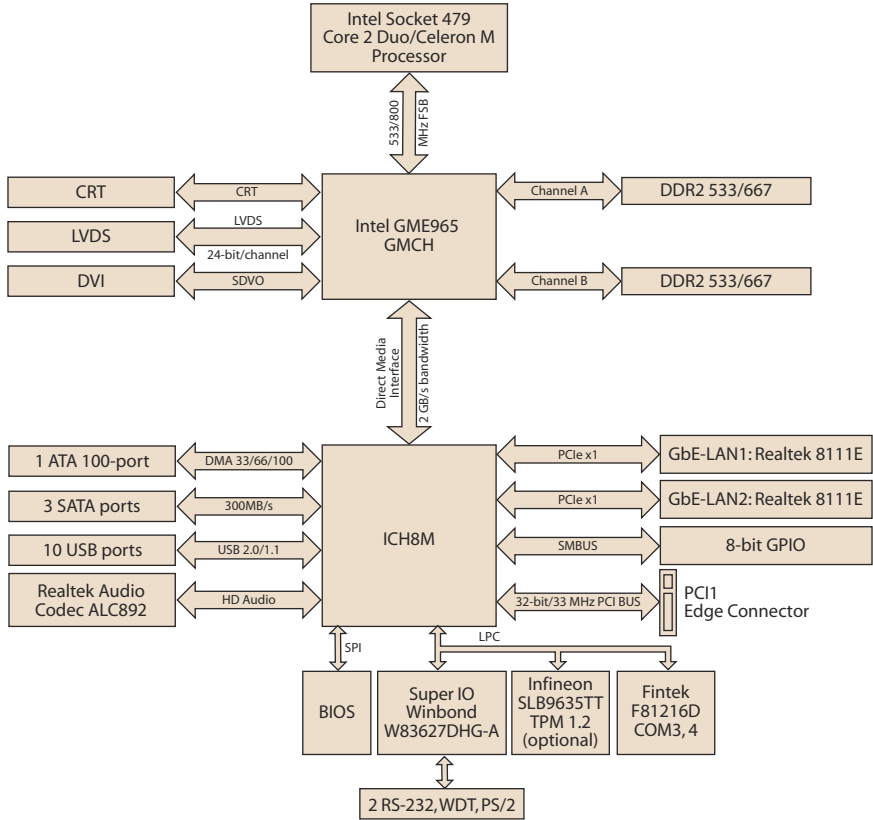
Utilities:  BIOS flash  Monitoring



Specifications

Processor System	CPU (65 nm μFC-PGA 478, Socket P)	Intel Core 2 Duo	Intel Celeron M	Intel ULV Core 2 Duo	
	Max. Speed	T7500 2.2 GHz	550 2.0 GHz	U7500 1.06 GHz on board	
	Front Side Bus	800 MHz	533 MHz	533 MHz	
	L2 Cache	2 x 2 MB	1 MB	1 MB	
	Chipset	Intel GME965 + ICH8M			
	BIOS	AMI 16 Mbit, SPI			
	Expansion Slot	PCI	32-bit/33 MHz, 1 slot		
Mini-PCI		-			
PCIe		-			
Memory	Technology	Dual channel DDR2 533/667 MHz SDRAM			
	Max. Capacity	4 GB			
	Socket	2 x 200-pin SODIMM (Non-ECC)			
Graphics	Controller	Intel GME965 GMCH integrated Graphics Media Accelerator X3100			
	VRAM	DVMT 4.0 supports shared system memory up to 384 MB video memory			
	LVDS	Single channel 18/24-bit/Dual channel 36/48-bit LVDS			
	TV-Out	-			
	DVI	Yes, via Chronitel CH7307C SDVO transmitter			
	Dual Display	CRT+LVDS, CRT+DVI, LVDS+DVI			
Ethernet	Interface	10/100/1000 Mbps			
	Controller	GbE LAN1: Realtek RTL8111E; GbE LAN2: Realtek RTL8111E			
	Connector	RJ-45 x 2			
SATA	Max Data Transfer Rate	300 MB/s			
	Channel	3			
EIDE	Mode	EIDE (Ultra DMA 100)			
	Channel	1			
SSD	CompactFlash	Supports CompactFlash Type I/II			
	CRT	1			
Rear I/O	DVI	1			
	Ethernet	2			
	USB	4 (USB 2.0 compliant)			
	Audio	3 (Mic-in, Line-out, Line-in)			
	Serial	2 (2 x RS-232, supplies 5 V & 12 V)			
	PS/2	2 (1 x keyboard and 1 x mouse)			
	LVDS	1			
	USB	6 (USB 2.0 compliant)			
Internal Connector	Serial	2 (2 x RS-232, supplies 5 V & 12 V)			
	IDE	1			
	SATA	3			
	CompactFlash	1			
	Parallel	-			
	IrDA	-			
	FDD	-			
	GPIO	8-bit			
Watchdog Timer	Output	System reset			
	Interval	Programmable 1 ~ 255 sec/min			
Power Requirements	Power On	Intel Core 2 Duo T7300 2.0 GHz FSB 800 MHz, 2 GB DDR2 SDRAM			
		+5 V	+3.3 V	+12 V	+5 VSB
		2.75 A	1.76 A	4.13 A	1.42 A
		Operating	Non-Operating		
Environment	Temperature	0 ~ 60° C (32 ~ 140° F)		-20 ~ 70° C (-4 ~ 158° F)	
	Physical Characteristics	Dimensions	170 mm x 170 mm (6.69" x 6.69")		

Block Diagram



Ordering Information

Part Number	CPU	GbE	DVI	SATA
AIMB-256G2-00A1E	-	2	1	3

Optional Accessories

Part Number	Description
1700003195	USB cable with two ports, 17.5 cm
1700002204	USB cable with two ports, 27 cm
1700008461	USB cable with four ports, 30.5 cm

Packing List

Description	Quantity
AIMB-256 SBC	1
IDE HDD cable (40-pin)	1
SATA HDD data cable	2
SATA HDD power cable	2
Serial cables	2
CPU cooler	1
I/O port bracket	1
Startup manual	1
Driver CD	1

Embedded OS/API

OS/API	Part No.	Description
Win XPE	2070004369	XPE SP2 FP2007AIMB-256 V3.01 ENG
Software API	205E000021	SUSI 3.0 SW API for AIMB-256 XP

I/O View



AIMB-256G2-00A1E