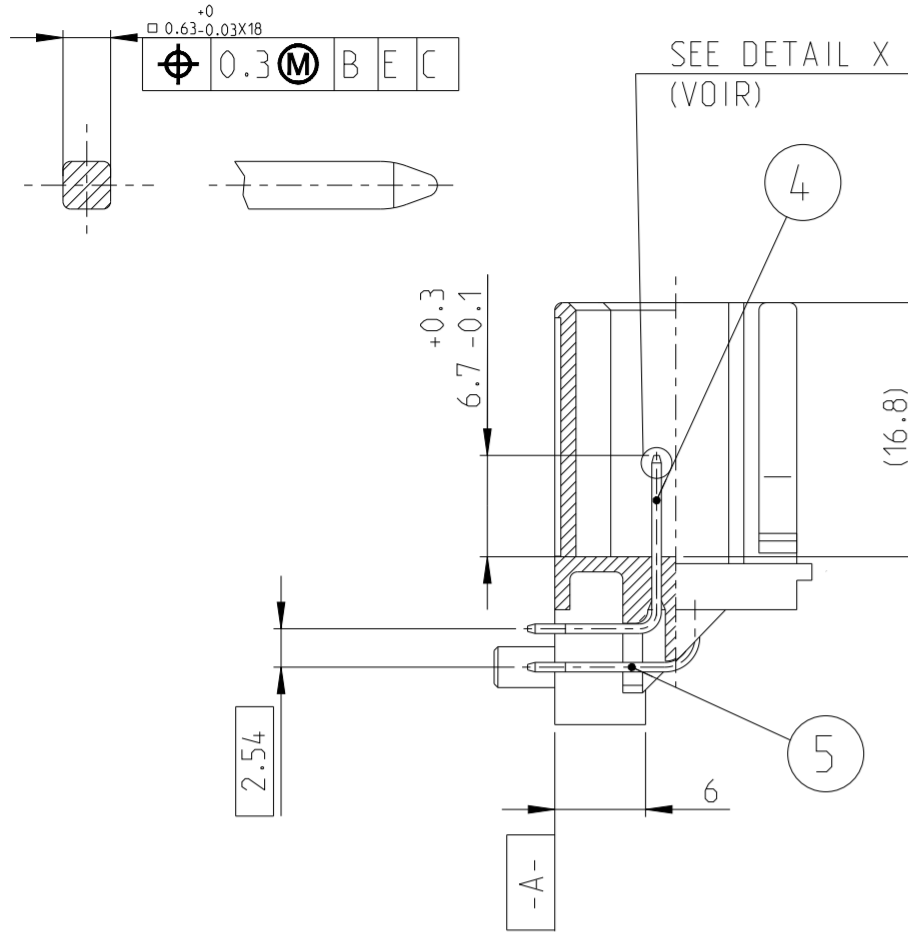


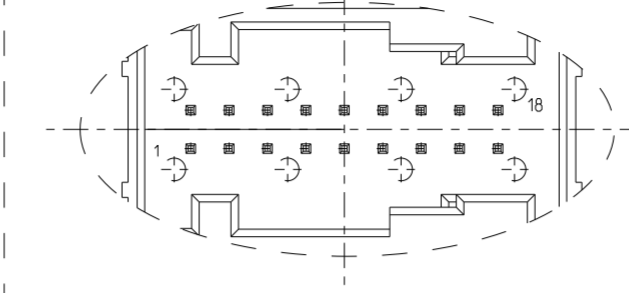
DETAIL X

SCALE(ECH.) 10:1



DETAIL W

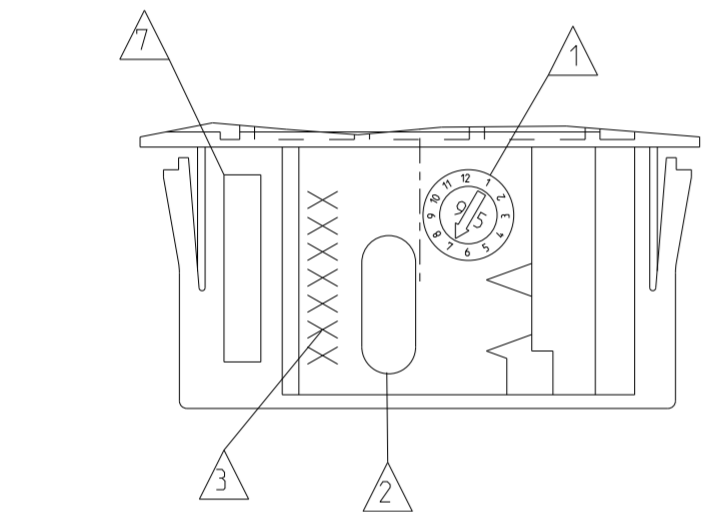
OTHER FORM POSSIBLE (AUTRE FORME POSSIBLE)



REVISIONS				
P	LTR	DESCRIPTION	DATE	APVD
L		UPDATE THE DRAWING AND ADD NEW P/N 1-1379731-1	03MAR2020	RSR
M		OBS. 185680-1/-2, 1379731-2 AND 6-1379731-2	20AUG21	MN

NOTES:

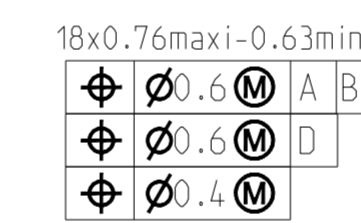
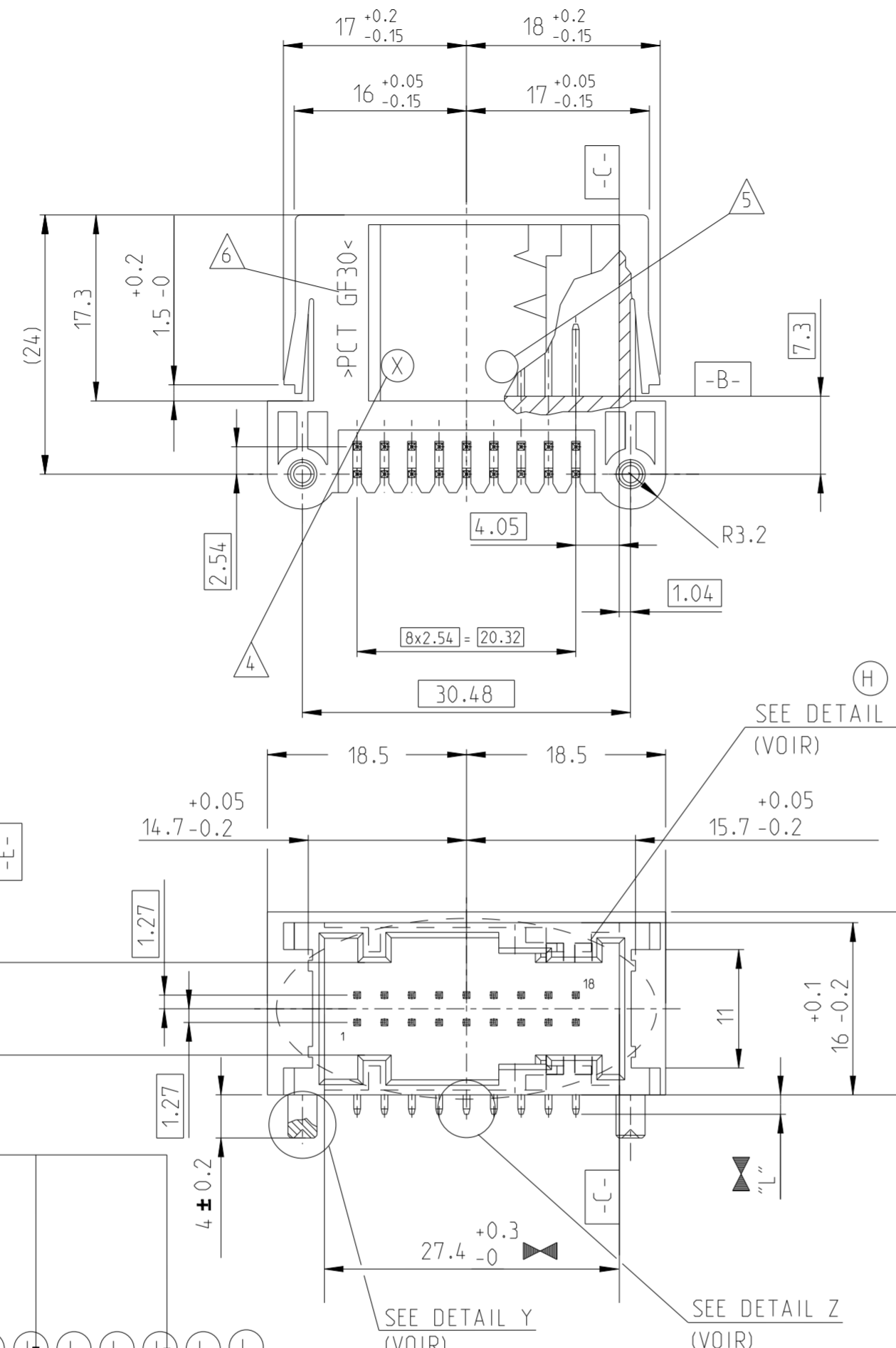
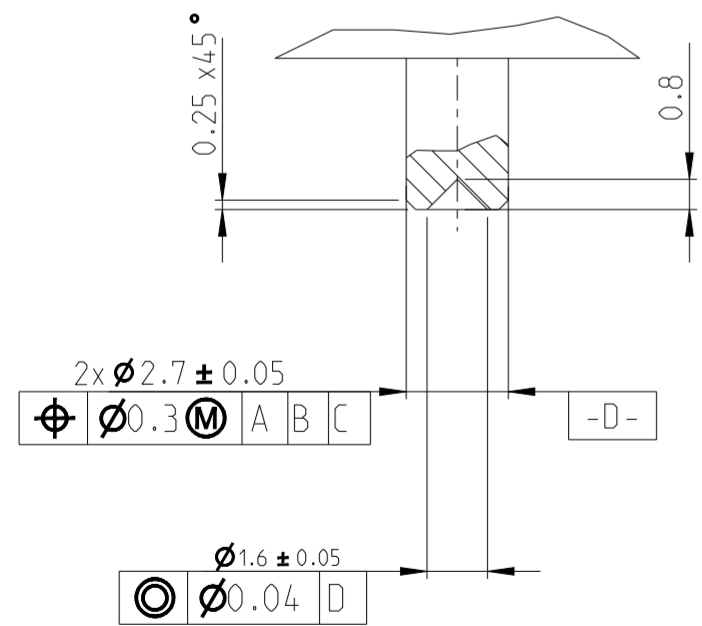
- 1 PRODUCTION DATE OF PLASTIC PART  
DATE PRODUCTION DU BOITIER PLASTIQUE
- 2 TE LOGO  
LOGO DE TE
- 3 ASSEMBLY PART NUMBER  
REFERENCE DU PRODUIT ASSEMBLE
- 4 MOLD STATUS REVISION  
INDICE REVISION DU MOULE
- 5 MOLD CAVITY IDENTIFICATION NUMBER  
NUMERO D'EMPREINTE DU MOULE
- 6 PLASTIC MATERIAL IDENTIFICATION  
IDENTIFICATION DE LA MATIERE PLASTIQUE
- 7 ASSEMBLY DATE MARKING  
MARQUAGE DE DATE D'ASSEMBLAGE
- 8 CAPABILITY DIMENSION FOR THE TOOLINGS QUALIFICATION ONLY  
COTE DE CAPABILITE UNIQUEMENT POUR LA QUALIFICATION D'OUTILLAGES
- 9 ONLY COMPATIBLE WITH THE CONNECTORS UNDER P/Ns : 185307-X ; 185315-X  
COMPATIBLE UNIQUEMENT AVEC LES CONNECTEURS SOUS REF. : 185307-X ; 185315-X
- 10 TRAY-PACKAGING FOR MANUAL OPERATION ACC. TO V-SPEC. V1379731
- 11 TRAY-PACKAGING FOR AUTOMATIC OPERATION ACC. TO V-SPEC. V1379731



**OBSOLETE**

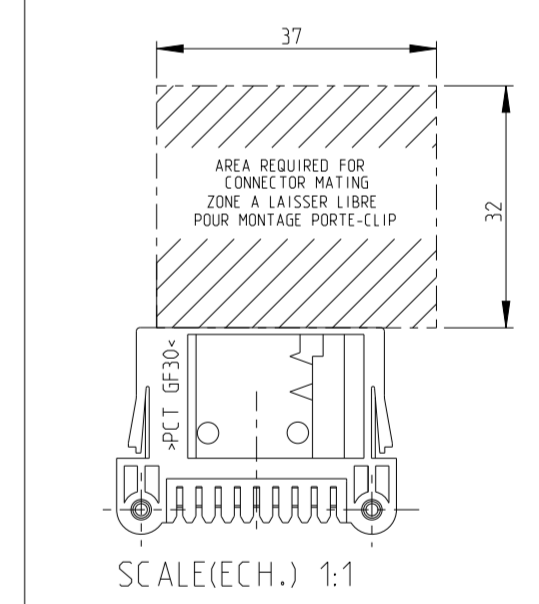
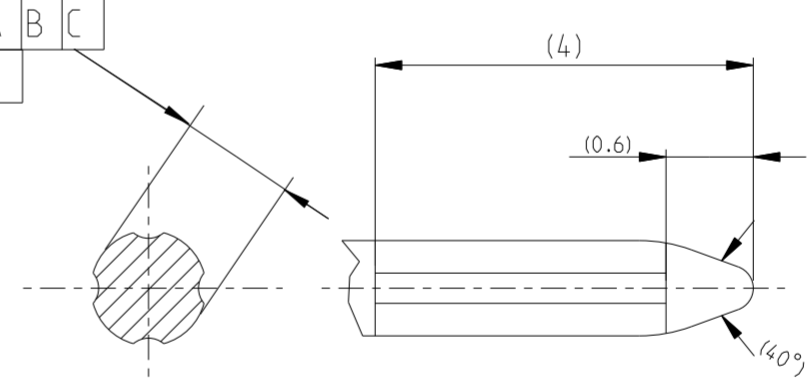
DETAIL Y

Scale(Ech.) 5:1



DETAIL Z

SCALE(ECH.) 20:1



ASSY P/N REF. ASSEMBLEE	9	9	9	9	9	9	9	9	10	PACKAGING IN TRAY THERMO. CONDITIONNEMENT EN PLATEAU THERMO.	PACKAGING IN STICK CONDITIONNEMENT EN TUBE
185680-1	X	X	X	X	X				X		
185680-2											X
1379731-1										X	
1379731-2										X	
1379731-3										X	
6-1379731-1										X	
6-1379731-2										X	
6-1379731-3										X	
1-1379731-1										X	

QTY/QTE	P/N TO BE MARKED REF. A MARQUER	2.7 ± 0.3	1.8 ± 0.3	CuSn6	LONG PIN MQS CONTACT LONG MQS	SHORT PIN MQS CONTACT COURT MQS	POST TIN PLATED POST-ETAME	REP.
								5
								4
								5
								4
								3
								2
								1
								2
								1

DESIGNATION	COLOR/FINISH COULEUR/FINITION	REP.
LONG PIN MQS CONTACT LONG MQS	BLUE BLEU	5
SHORT PIN MQS CONTACT COURT MQS	WHITE BLANC	4
LONG PIN MQS CONTACT LONG MQS	BLACK NOIR	5
SHORT PIN MQS CONTACT COURT MQS	WHITE BLANC	4
HOUSING CODING 3 EMBASE CODAGE 3	BLUE BLEU	3
HOUSING CODING 2 EMBASE CODAGE 2	WHITE BLANC	2
HOUSING CODING 1 EMBASE CODAGE 1	BLACK NOIR	1
HOUSING CODING 2 EMBASE CODAGE 2	WHITE BLANC	2
HOUSING CODING 1 EMBASE CODAGE 1	BLACK NOIR	1

THIS DRAWING IS A CONTROLLED DOCUMENT.

W. IVANOVIC 03MAY96  
S. LAQUERBE 26JUN97  
J. REVIL 26JUN97

TE Connectivity

18W MQS HEADER BENT LEFT  
WITH CROSSING PIN  
EMBASE 18V MQS COUDEE G AVEC PION

SIZE A2 CAGE CODE 00779 DRAWING NO. C-185680

SCALE 2:1 SHEET 1 OF 1 REV M