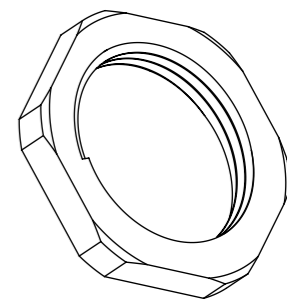
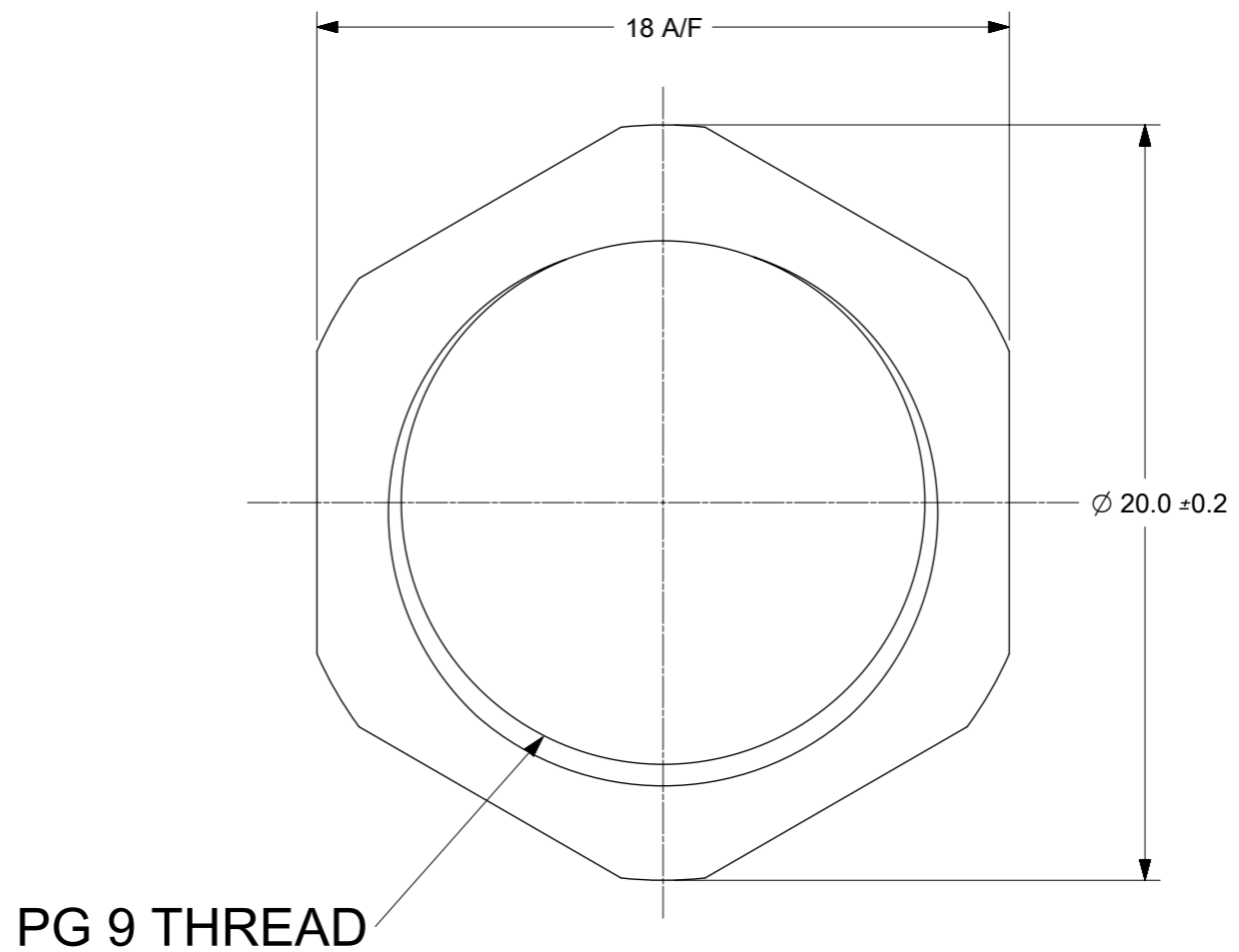
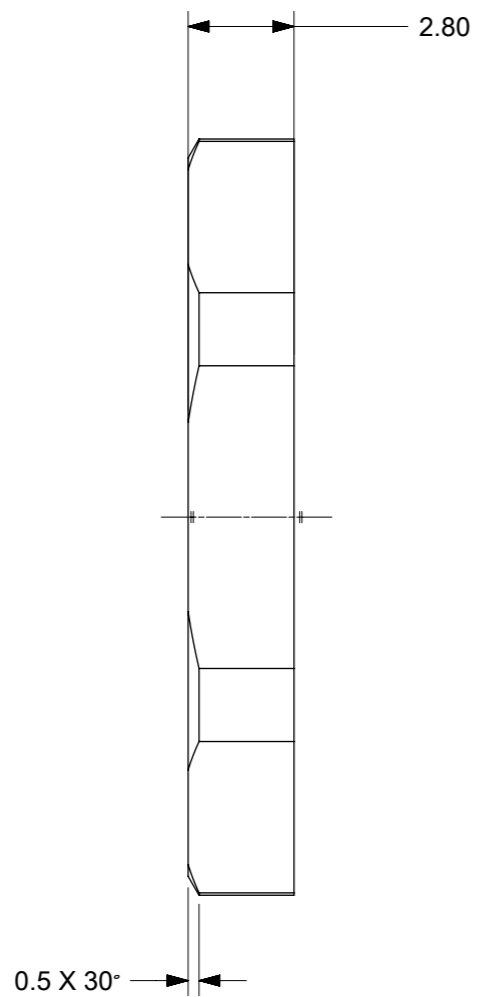


MATERIAL: BRASS, NICKEL PLATED



SCALE 2:1

THIS DRAWING CONTAINS INFORMATION THAT IS PROPRIETARY TO MOLEX INCORPORATED AND SHOULD NOT BE USED WITHOUT WRITTEN PERMISSION														
EC DESCRIPTION EC NO: 104940 DRWN: BBRAUCH CHK'D: CBRUNS APPR: CBRUNS	2016/05/12 2016/05/12 2016/05/12	QUALITY SYMBOLS	GENERAL TOLERANCES (UNLESS SPECIFIED)		DIMENSION UNITS	SCALE								
		▽ = 0 ▽ = 0 ▽ = 0 ▼ = 0 ◻ = 0 ■ = 0 ▽ = 0	ANGULAR TOL ± 1.0 ° 4 PLACES ± 3 PLACES ± 2 PLACES ± 0.1 1 PLACE ± 0.25 0 PLACES ± 0.5		mm	5:1								
		DRWN BY		DATE		BBRAUCH		2016/05/12		NUT PG9 BRASS NI HEX				
		CHK'D BY		DATE		CBRUNS		2016/05/12						
		APPR BY		DATE		DRAWING SIZE		THIRD ANGLE PROJECTION		PRODUCT CUSTOMER DRAWING				
A		REV		A3				SERIES	MATERIAL NUMBER	CUSTOMER				
								120329	1203290012					
								DOCUMENT NUMBER		DOC TYPE	DOC PART	SHEET NUMBER		
								1203290012		PSD	000	1 OF 1		