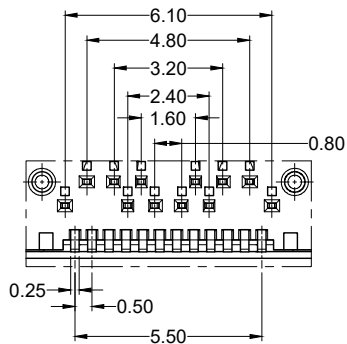
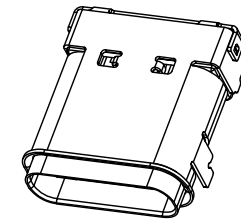


Recommended PCB Layout (Top Side)



Detail A

Pin	Signal Name	Mating Sequence	Pin	Signal Name	Mating Sequence
A1	GND	First	B12	GND	First
A2	SSTXp1	Second	B11	SSRXp1	Second
A3	SSTXn1	Second	B10	SSRXn1	Second
A4	VBUS	First	B9	VBUS	First
A5	CC1	Second	B8	SBU2	Second
A6	Dp1	Second	B7	Dn2	Second
A7	Dn1	Second	B6	Dp2	Second
A8	SBU1	Second	B5	CC2	Second
A9	VBUS	First	B4	VBUS	First
A10	SSRXn2	Second	B3	SSTXn2	Second
A11	SSRXp2	Second	B2	SSTXp2	Second
A12	GND	First	B1	GND	First
SHELL	GND		SHELL	GND	



Part Number	Contact Area Plating Finish	Packaging
KUSB67X-SMTTH-CS4-BTR	Gold Flash (standard)	Tape & Reel
KUSB67X-SMTTH-CS4-B30TR	30u" Gold (30 option)	Tape & Reel

Tolerances

X.X ± 0.35
X.XX ± 0.25
Unless Stated
Otherwise

Materials and Finish

Insulator: High Temp.
UL94V-0 rated
Color- Black
Contact Material:
Copper Alloy
Contact plating:
Standard: Gold Flash on Contact
Area, Tin Plated on Solder Tails,
All over Nickel Underplate
30 Option: 30u" Gold Plated on
Contact Area, Tin Plated on Solder
Tails, All over Nickel Underplate

Shield: Stainless Steel,
Nickel plated

Electrical Characteristics

Rated Current: 5A for Collectively
Power supply Pins (A1, A4, A9, A12,
B1, B4, B9, B12), 1.25A For Vconn Pin,
0.25A For Other Signal Pins.

Insulation Resistance:
100 Megohms Min.
Contact Resistance:
40 milliohms Max. Initial,
50 milliohms Max. After Life Test
Dielectric Withstanding Voltage:
100V AC (RMS) For 1 Minute

Mechanical Characteristics

Durability: 10,000 Mating Cycles
Insertion Force: 5N~20N
Extraction Force :
6N~20N After Life Test
Operating Temperature:
-40°C to +85°C

RoHS COMPLIANT

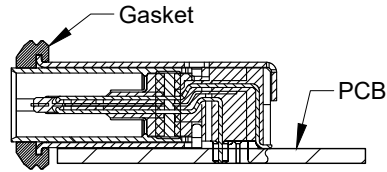
REV.	DATE	DESCRIPTION	REV. BY	CHK. BY	DRAWN BY	DATE
A0.1	05/29/19	New Drawing	H. MA	D. Shehan	H. MA	05/29/19
A0.2	06/25/19	Added O-Ring Info	D. Shehan	G. Serrato		
A0.3	07/15/19	Corrected PCB layout	D. Shehan	G. Serrato		
A1	10/23/19	Release Drawing	C. Kelleher	D. Shehan		

KUSB67X-SMTTH-CS4-BTR

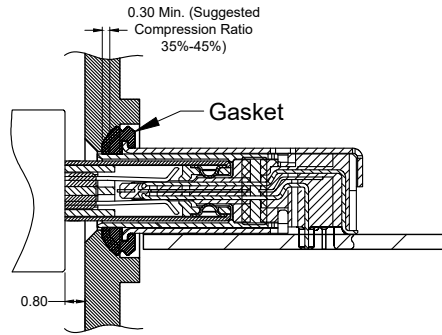
UNITS
mm

USB 3.2 Gen 2, Type C Socket
IP67, Right Angle, Black, T/R

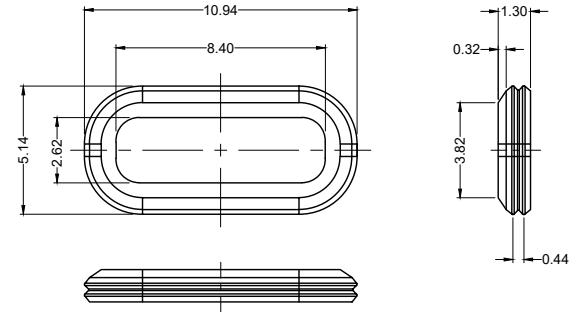




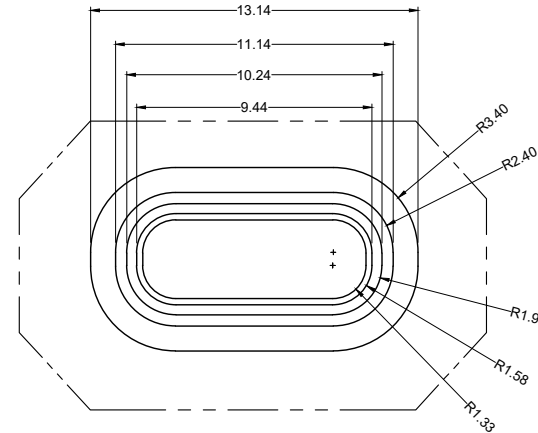
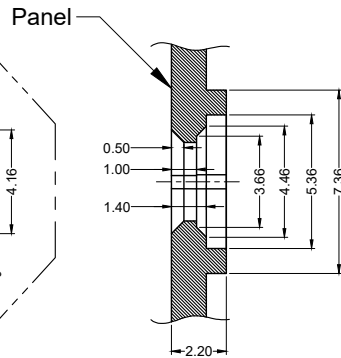
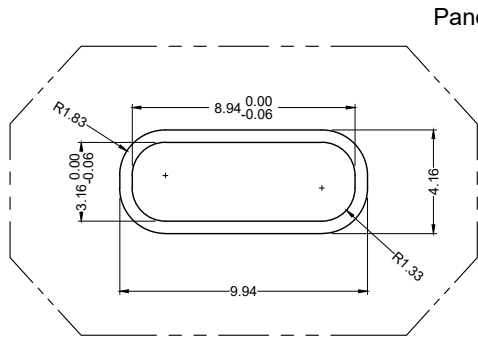
Assembly Orientation



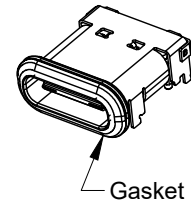
Suggested Panel Fit



Gasket Detail
Material: Silicone, Black



Recommended Panel Opening Dimensions
Tolerance $\pm 0.03\text{mm}$



Gasket

Tolerances

X.X ± 0.35
X.XX ± 0.25
Unless Stated
Otherwise

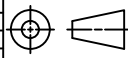
RoHS COMPLIANT

REV.	DATE	DESCRIPTION	REV. BY	CHK. BY	DRAWN BY	DATE
A0.1	05/29/19	New Drawing	H. MA	D. Shehan	H. MA	05/29/19
A0.2	06/25/19	Added O-Ring Info	D. Shehan	G. Serrato		
A0.3	07/15/19	Corrected PCB layout	D. Shehan	G. Serrato		
A1	10/23/19	Release Drawing	C. Kelleher	D. Shehan		

KUSB67X-SMTTH-CS4-BTR

USB 3.2 Gen 2, Type C Socket

IP67, Right Angle, Black, T/R



UNITS
mm