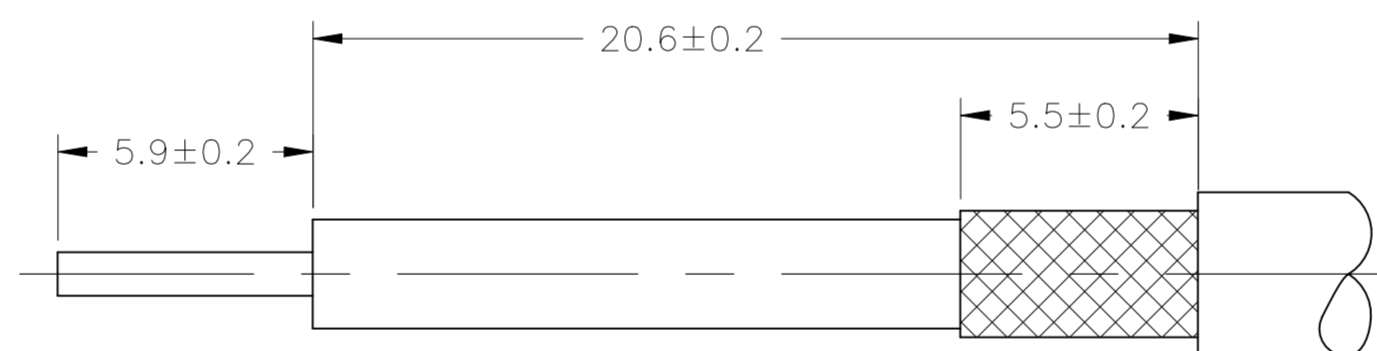
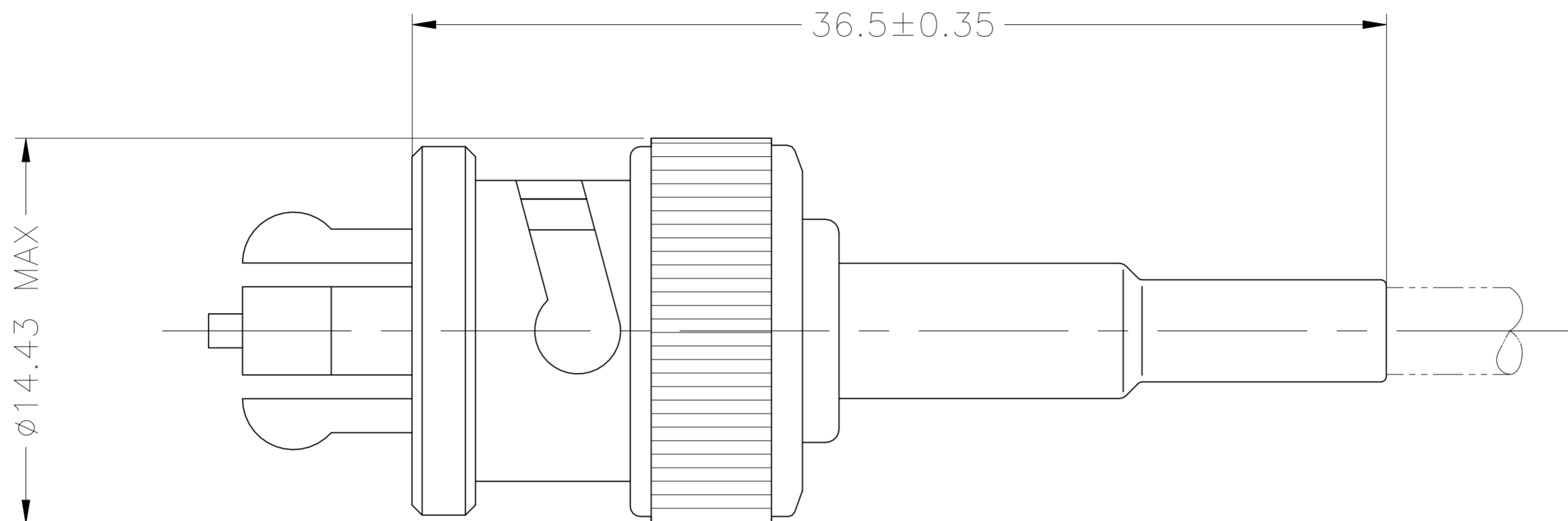


REVISIONS

P	LTR	DESCRIPTION	DATE	DWN	APVD
B		REVISED PER ECN-23-224938	11AUG2023	ED	WH

1. SEE INSTRUCTION SHEET 408-2187



RECOMMENDED STRIP LENGTH

RG-174/U & RG-188/U	-	220009-1	21427-5	9-328666-0	225418-3	51437-6	5051426-8
RG-59/U, 59A/U, 59B/U, 62/U, 62A/U & 62B/U	.496	220022-2	-	9-50428-0	51475-3	51437-4	5051426-5
RG-58A/U & RG-58C/U	.512	220022-1	-	9-50427-1	51427-3	51437-3	5051426-4
RG-59/U, 59A/U, 59B/U, 62/U, 62A/U & 62B/U	-	220022-2	-	9-50428-4	51475-3	51437-2	5051426-2
RG-58A/U & RG-58C/U	.458	220022-1	-	9-50427-3	51427-3	51437-1	5051426-1
CABLE SIZE	WEIGHT (OZ)	CRIMP TOOL	④ BUSHING QTY=1	③ FERRULE QTY=1	② CONTACT QTY=1	① PLUG ASSY QTY=1	PART NUMBER

THIS DRAWING IS A CONTROLLED DOCUMENT.

DWN	J. HAVENER	24JAN2005
CHK	J. HAVENER	24JAN2005
APVD	J. LIPPERT	24JAN2005

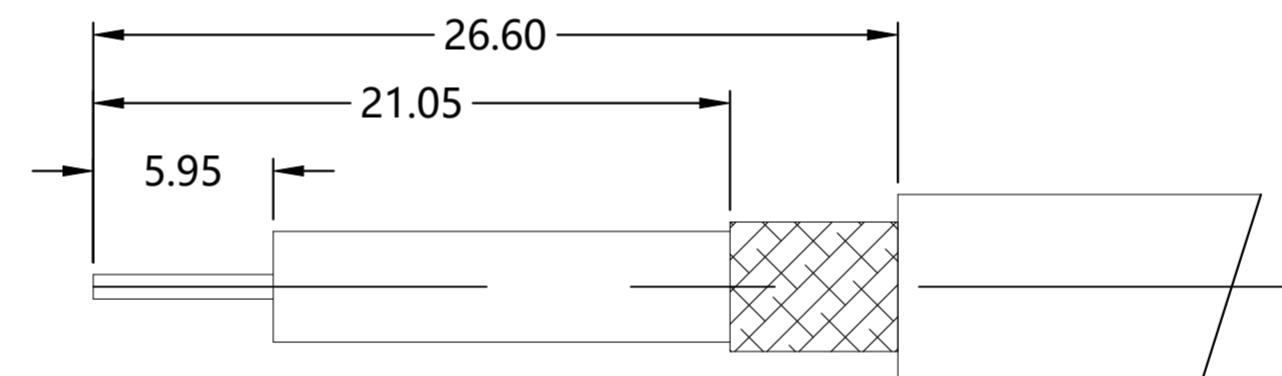
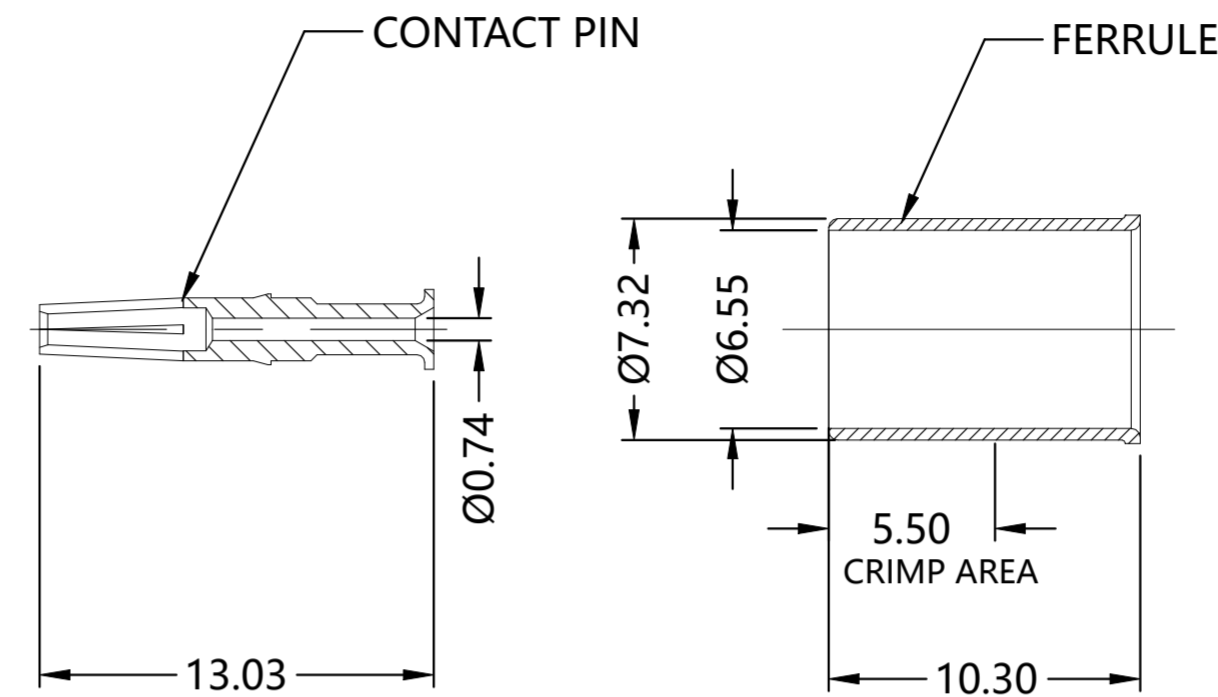
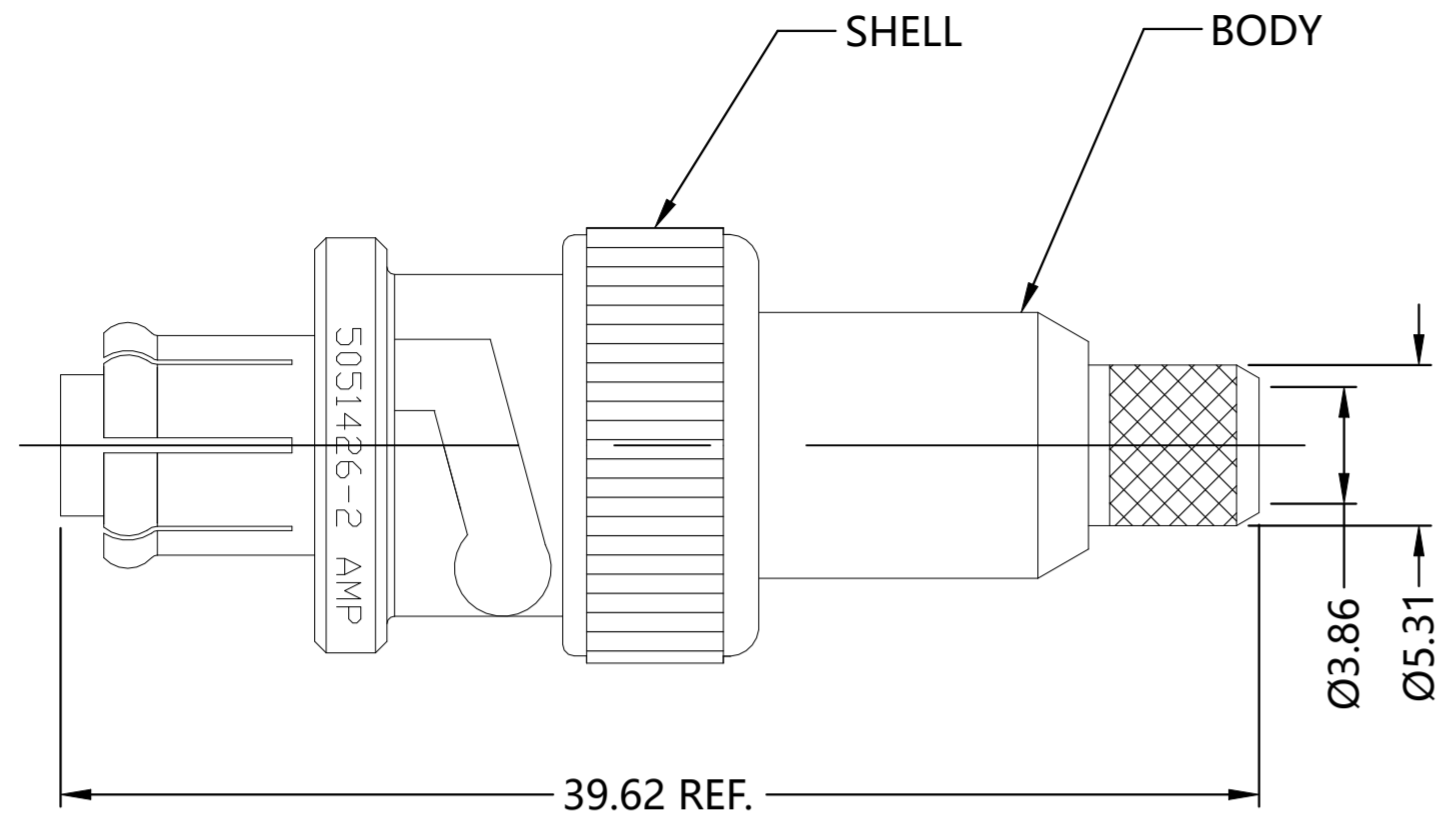
TE Connectivity

CONNECTOR, COAXIAL, PLUG, SERIES SHV

SIZE	A2	CAGE CODE	00779	DRAWING NO	C=5051426	RESTRICTED TO	-
WEIGHT	0.000000	SCALE	4:1	SHEET	1 of 4	REV	B

CUSTOMER DRAWING

P	LTR	DESCRIPTION	DATE	DWN	APVD
-	-	SEE SHEET 1	-	-	-



RECOMMENDED CABLE STRIPPING DIM'S

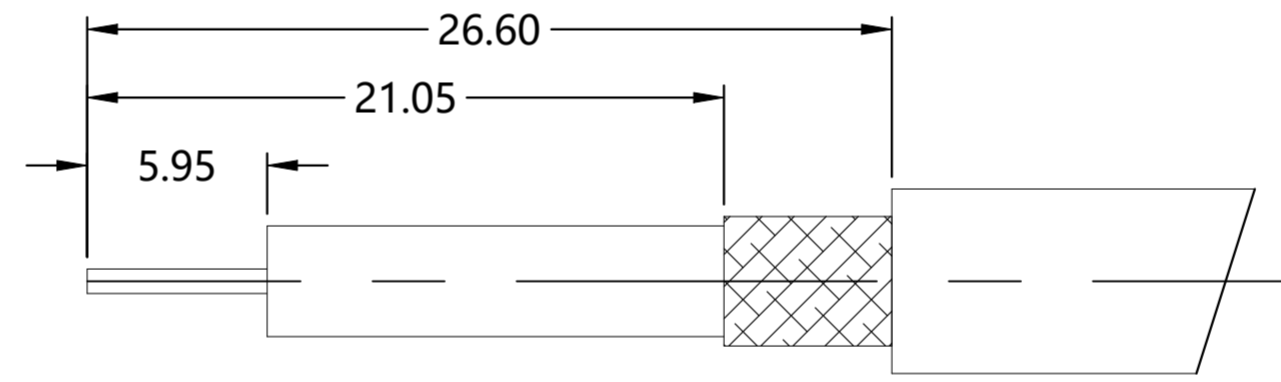
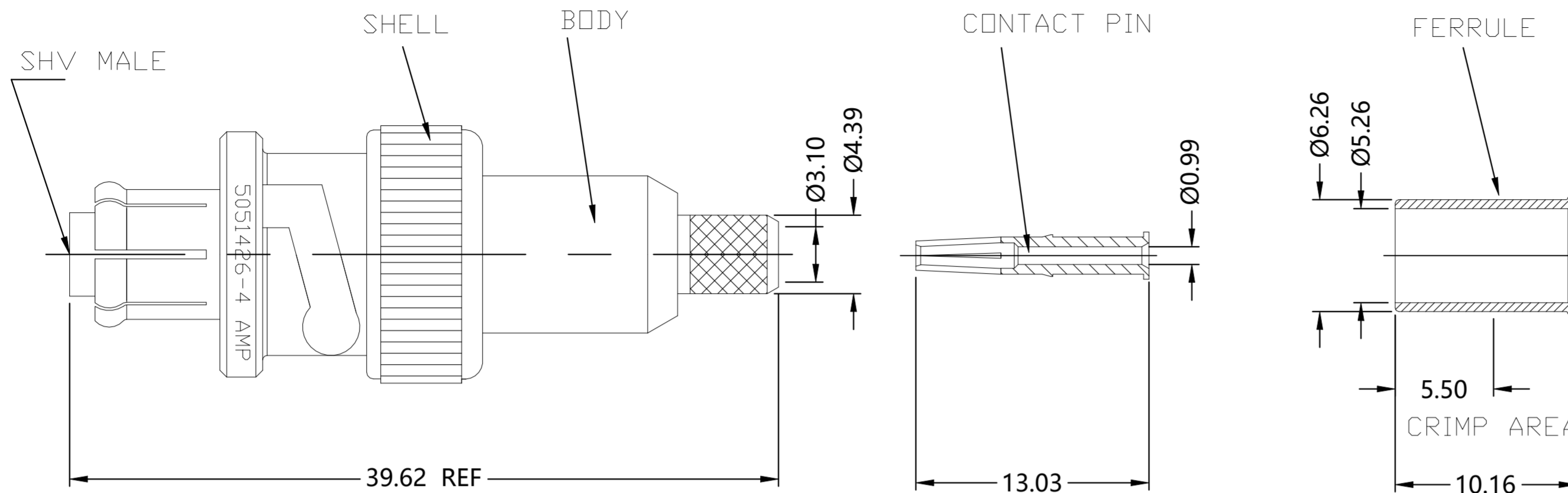
NOTES

- 1 PACK IN ACCORDANCE WITH TE SPEC 107-3275;
- 2 ALL DIMENSIONS ARE NOMINAL FOR REFERENCE ONLY UNLESS OTHERWISE STATED;
- 3 ELECTRICAL CHARACTERISTICS :  
 FREQUENCY RANGE : DC-300MHz  
 NOMINAL IMPEDANCE : 50 OHMS  
 INSULATION RESISTANCE : 5000 MOHMS  
 WORKING VOLTAGE : 3500 VOLTS MAX  
 DIELECTRIC WITHSTANDING VOLTAGE : 4500 VOLTS MAX  
 INSERTION LOSS : ACCORDING TO THE CABLE  
 CONTACT RESISTANCE :  
 CENTER CONTACT : 2.0 mOHMS MAX  
 OUTER CONTACT : 1.5 mOHMS MAX
- 4 ENVIRONMENTAL :  
 OPERATING TEMPERATURE : -40°C TO +125°C  
 CORROSION:MIL- STD 202, Meth. 101,Cond. B  
 VIBRATION:MIL- STD 202, Meth. 204,Cond. A  
 SHOCK:MIL- STD 202, Meth. 213,Cond. I  
 CLIMATIC CATEGORY-IEC 55 /155/21
- 5 DURABILITY : 500 CYCLES MIN
- 6 RoHS : COMPLIANT
- 7 FERRULE TO CRIMPED THE HEX. SIZE .248".  
 USE WITH HAND TOOL 2087631-1 AND DIE SET 2087632-3.  
 CONTACT PIN TO SOLDER OR CRIMP.

	1	SILVER 200 u"/COPPER	BRASS	FERRULE	5
	1	/	PTFE	INSULATOR	4
	1	GOLD 50 u"/NICKEL /COPPER	Becu	CONTACT PIN	3
	1	SILVER 200 u"/COPPER	BRASS	SHELL	2
	1	SILVER 200 u"/COPPER	BRASS	BODY	1
	5051426-2	PLATING	MATERIAL	DESCRIPTION	ITEM
QUANTITY PER ASSY		PARTS LIST			

THIS DRAWING IS A CONTROLLED DOCUMENT.		DWN	J. HAVENER	24JAN2005		TE Connectivity		
DIMENSIONS:		CHK	J. HAVENER	24JAN2005		NAME		
mm		APVD	J. LIPPERT	24JAN2005		PRODUCT SPEC		
TOLERANCES UNLESS OTHERWISE SPECIFIED:		APPLICATION SPEC				CONNECTION, COAXIAL, PLUG, SERIES SHV		
0 PLC	± -	WEIGHT	0.000000	SIZE	A2	CAGE CODE	00779	
1 PLC	± -	CUSTOMER DRAWING		DRAWING NO	C=5051426	RESTRICTED TO	-	
2 PLC	± -	SCALE	4:1	SHEET	2 of 4	REV	B	
3 PLC	± -							
4 PLC	± -							
ANGLES	± -							
FINISH	-							

REVISIONS					
P	LTR	DESCRIPTION	DATE	DWN	APVD
-	-	SEE SHEET 1	-	-	-



RECOMMENDED CABLE STRIPPING DIM'S

NOTES

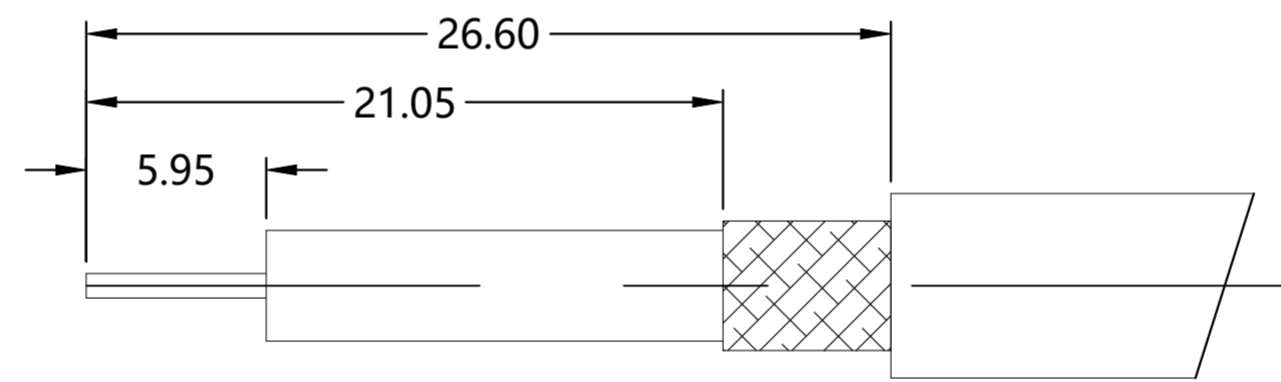
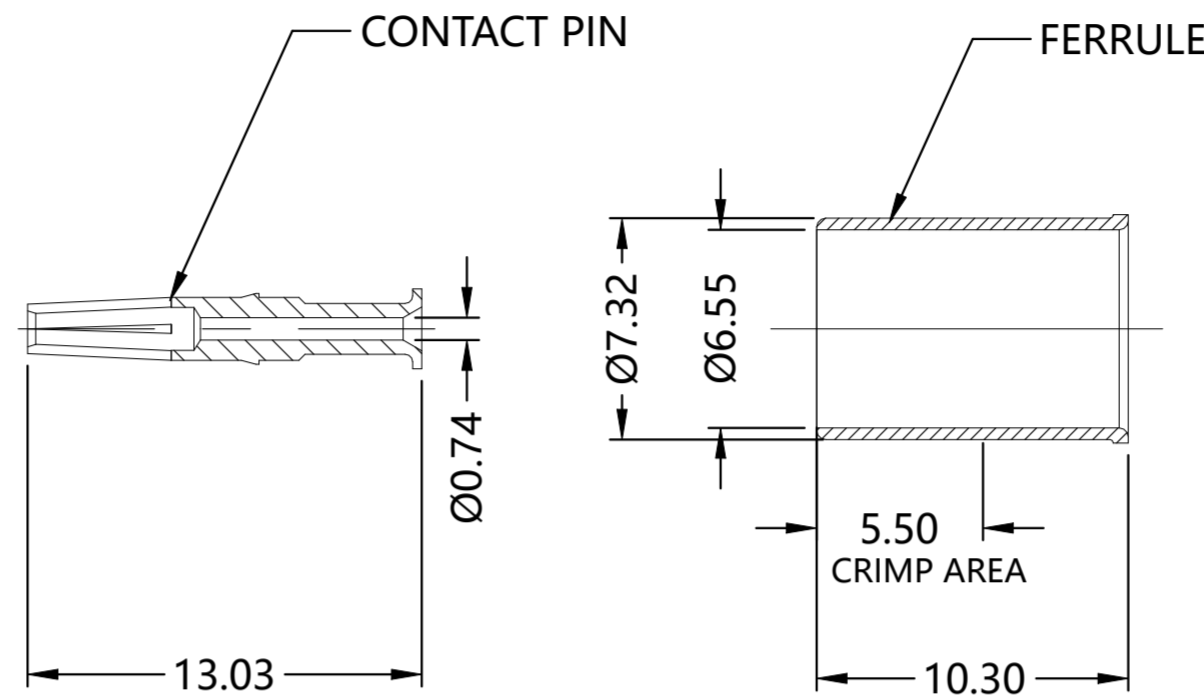
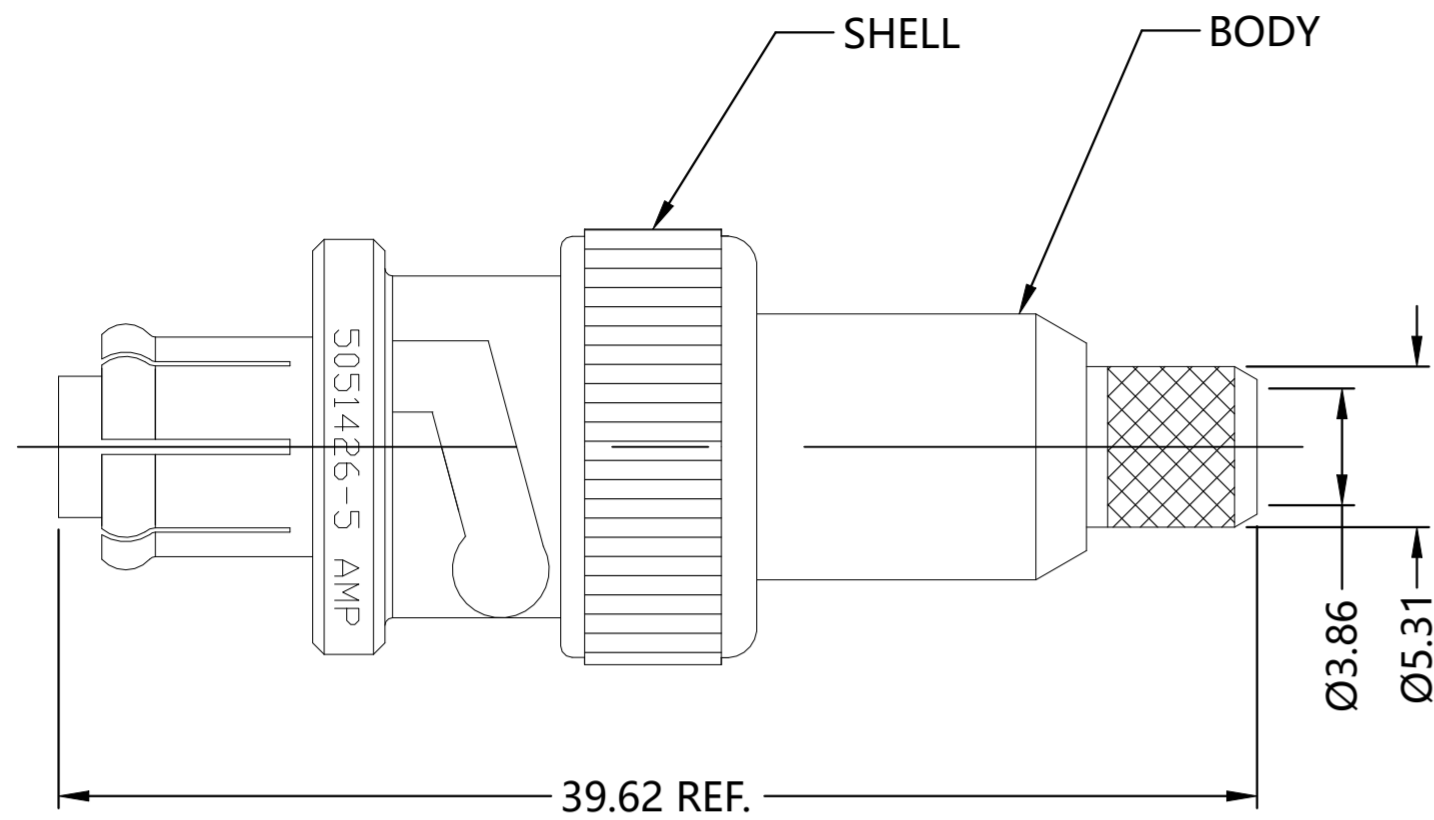
- 1 PACK IN ACCORDANCE WITH TE SPEC 107-3275;
- 2 ALL DIMENSIONS ARE NOMINAL FOR REFERENCE ONLY UNLESS OTHERWISE STATED;
- 3 ELECTRICAL CHARACTERISTICS :  
 FREQUENCY RANGE : DC-300MHz  
 NOMINAL IMPEDANCE : 50 OHMS  
 INSULATION RESISTANCE : 5000 MOHMS  
 WORKING VOLTAGE : 3500 VOLTS MAX  
 DIELECTRIC WITHSTANDING VOLTAGE : 4500 VOLTS MAX  
 INSERTION LOSS : ACCORDING TO THE CABLE  
 CONTACT RESISTANCE :  
 CENTER CONTACT : 2.0 mOHMS MAX  
 OUTER CONTACT : 1.5 mOHMS MAX
- 4 ENVIRONMENTAL :  
 OPERATING TEMPERATURE : -40°C TO +165°C  
 CORROSION:MIL- STD 202, Meth. 101,Cond. B  
 VIBRATION:MIL- STD 202, Meth. 204,Cond. A  
 SHOCK:MIL- STD 202, Meth. 213,Cond. I  
 CLIMATIC CATEGORY-IEC 55 /155/21
- 5 DURABILITY : 500 CYCLES MIN
- 6 RoHS : COMPLIANT
- 7 FERRULE TO CRIMPED THE HEX. SIZE .213".  
 USE WITH HAND TOOL 2087631-1 AND DIE SET 2087632-4.  
 CONTACT PIN TO SOLDER OR CRIMP.

QUANTITY PER ASSY	5051426-4	PLATING	MATERIAL	DESCRIPTION	ITEM
1		MATTE TIN 100 u"/COPPER	BRASS	FERRULE	5
1		/	PTFE	INSULATOR	4
1		GOLD 50 u"/NICKEL /COPPER	Becu	CONTACT PIN	3
1		BRIGHT NICKEL 175u"/COPPER	BRASS	SHELL	2
1		NICKEL 100 u"/COPPER	BRASS	BODY	1

PARTS LIST

THIS DRAWING IS A CONTROLLED DOCUMENT.		DWN J. HAVENER 24JAN2005		
DIMENSIONS: mm		CHK J. HAVENER 24JAN2005		
TOLERANCES UNLESS OTHERWISE SPECIFIED:		APVD J. LIPPERT 24JAN2005	NAME	
0 PLC ± -		PRODUCT SPEC	CONNECTOR, COAXIAL, PLUG, SERIES SHV	
1 PLC ± -		APPLICATION SPEC	SIZE	CAGE CODE
2 PLC ± -			A2	00779
3 PLC ± -			DRAWING NO	RESTRICTED TO
4 PLC ± -			C=5051426	-
ANGLES ± -		WEIGHT	SCALE	SHEET
FINISH		0.000000	4:1	3 of 4
MATERIAL		CUSTOMER DRAWING	REV	B

REVISIONS					
P	LTR	DESCRIPTION	DATE	DWN	APVD
-	-	SEE SHEET 1	-	-	-



NOTES

- 1 PACK IN ACCORDANCE WITH TE SPEC 107-3275;
- 2 ALL DIMENSIONS ARE NOMINAL FOR REFERENCE ONLY UNLESS OTHERWISE STATED;
- 3 ELECTRICAL CHARACTERISTICS :  
 FREQUENCY RANGE : DC-300MHz  
 NOMINAL IMPEDANCE : 50 OHMS  
 INSULATION RESISTANCE : 5000 MOHMS  
 WORKING VOLTAGE : 3500 VOLTS MAX  
 DIELECTRIC WITHSTANDING VOLTAGE : 4500 VOLTS MAX  
 INSERTION LOSS : ACCORDING TO THE CABLE  
 CONTACT RESISTANCE :  
 CENTER CONTACT : 2.0 mOHMS MAX  
 OUTER CONTACT : 1.5 mOHMS MAX
- 4 ENVIRONMENTAL :  
 OPERATING TEMPERATURE : -40°C TO +125°C  
 CORROSION:MIL- STD 202, Meth. 101,Cond. B  
 VIBRATION:MIL- STD 202, Meth. 204,Cond. A  
 SHOCK:MIL- STD 202, Meth. 213,Cond. I  
 CLIMATIC CATEGORY-IEC 55 /155/21
- 5 DURABILITY : 500 CYCLES MIN
- 6 RoHS : COMPLIANT
- 7 FERRULE TO CRIMPED THE HEX. SIZE .248".  
 USE WITH HAND TOOL 2087631-1 AND DIE SET 2087632-3.  
 CONTACT PIN TO SOLDER OR CRIMP.

RECOMMENDED CABLE STRIPPING DIM'S

	1	MATTE TIN 100 u"/COPPER	BRASS	FERRULE	5
	1	/	PTFE	INSULATOR	4
	1	GOLD 50 u"/NICKEL /COPPER	Becu	CONTACT PIN	3
	1	NICKEL 175u"/COPPER	BRASS	SHELL	2
	1	NICKEL 100 u"/COPPER	BRASS	BODY	1
	5051426-5	PLATING	MATERIAL	DESCRIPTION	ITEM
QUANTITY PER ASSY		PARTS LIST			

THIS DRAWING IS A CONTROLLED DOCUMENT.		DWN	J. HAVENER	24JAN2005		
DIMENSIONS:		CHK	J. HAVENER	24JAN2005		
mm		APVD	J. LIPPERT	24JAN2005		
TOLERANCES UNLESS OTHERWISE SPECIFIED:		NAME				
0 PLC	± -	PRODUCT SPEC			CONNECTOR, COAXIAL, PLUG, SERIES SHV	
1 PLC	± -	APPLICATION SPEC				
2 PLC	± -	SIZE	A2	CAGE CODE	00779	
3 PLC	± -	WEIGHT	0.000000	DRAWING NO	C=5051426	
4 PLC	± -	CUSTOMER DRAWING			RESTRICTED TO	
ANGLES	± -	SCALE	4:1	SHEET	4 of 4	
MATERIAL	FINISH				REV	B