

316292-1 ✓ ACTIVE

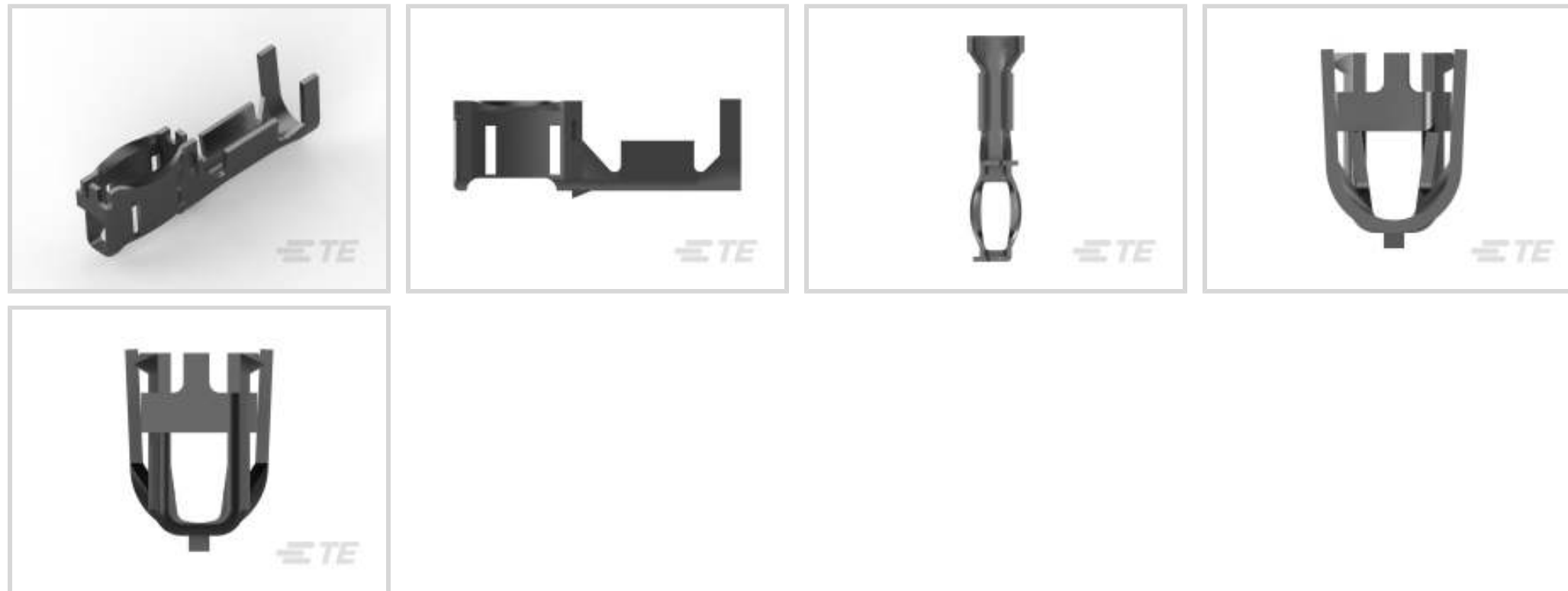
TE Internal #: 316292-1

Magnet Wire Terminals, Receptacle, .82 – 2.6 mm Magnet Wire, 18 – 13 AWG Magnet Wire, Crimp, Crimp Area Length 9.35 mm [.368 in], Tin Plating

[View on TE.com >](#)



Terminals & Splices > Magnet Wire Terminals



Magnet Wire Terminal Type: **Receptacle**

Mating Pin Diameter: **3.2 mm [.125 in]**

Compatible Insulation Diameter (Max): **4 mm [.157 in]**

Compatible Insulation Diameter Range: **1.6 – 4 mm [.062 – .157 in]**

Magnet Wire Size: **18 – 13 AWG**

Features

Product Type Features

Wire Insulation Support Retention Type	Insulation Support
Compatible With Discrete Wire Type	Magnet Wire, Solid

Contact Features

Magnet Wire Terminal Type	Receptacle
Mating Pin Diameter	3.2 mm [.125 in]
Terminal Plating Material	Tin
Terminal Orientation	Straight

Termination Features

Termination Method to Wire & Cable	Crimp
Crimp Area Length	9.35 mm [.368 in]

Mechanical Attachment

Wire Insulation Support	With
-------------------------	------

Dimensions

Terminal Height	7 mm [.276 in]
-----------------	----------------



Compatible Insulation Diameter (Max)	4 mm[.157 in]
--------------------------------------	---------------

Compatible Insulation Diameter Range	1.6 – 4 mm[.062 – .157 in]
--------------------------------------	----------------------------

Magnet Wire Size	.82 – 2.6 mm
------------------	--------------

Product Length	22.39 mm[.881 in]
----------------	-------------------

Usage Conditions

Insulation Option	Uninsulated
-------------------	-------------

Operating Temperature Range	-20 – 150 °C[-4 – 302 °F]
-----------------------------	---------------------------

Operation/Application

Compatible With Wire Base Material	Copper
------------------------------------	--------

Packaging Features

Packaging Quantity	3000
--------------------	------

Packaging Method	Reel
------------------	------

Product Compliance

[For compliance documentation, visit the product page on TE.com>](#)

EU RoHS Directive 2011/65/EU	Compliant
------------------------------	-----------

EU ELV Directive 2000/53/EC	Compliant
-----------------------------	-----------

China RoHS 2 Directive MIIT Order No 32, 2016	No Restricted Materials Above Threshold
---	---

EU REACH Regulation (EC) No. 1907/2006	Current ECHA Candidate List: JUNE 2023 (235) Candidate List Declared Against: JUNE 2023 (235) Does not contain REACH SVHC
--	---

Halogen Content	Low Halogen - Br, Cl, F, I < 900 ppm per homogenous material. Also BFR/CFR/PVC Free
-----------------	---

Solder Process Capability	Not applicable for solder process capability
---------------------------	--

Product Compliance Disclaimer

This information is provided based on reasonable inquiry of our suppliers and represents our current actual knowledge based on the information they provided. This information is subject to change. The part numbers that TE has identified as EU RoHS compliant have a maximum concentration of 0.1% by weight in homogenous materials for lead, hexavalent chromium, mercury, PBB, PBDE, DBP, BBP, DEHP, DIBP, and 0.01% for cadmium, or qualify for an exemption to these limits as defined in the Annexes of Directive 2011/65/EU (RoHS2). Finished electrical and electronic equipment products will be CE marked as required by Directive 2011/65/EU. Components may not be CE marked. Additionally, the part numbers that TE has identified as EU ELV compliant have a maximum concentration of 0.1% by weight in homogenous materials for lead, hexavalent chromium, and mercury, and 0.01% for cadmium, or qualify for an exemption to these limits as defined in the Annexes of Directive 2000/53/EC (ELV). Regarding the REACH Regulation, the information TE provides on SVHC in articles for this part number is based on the latest European Chemicals Agency (ECHA) 'Guidance on requirements for substances in articles' posted at this URL: <https://echa.europa.eu/guidance-documents/guidance-on-reach>

Compatible Parts



TE Part # 316293-1
3.2 CLUSTER BLOCK HSG NATURAL



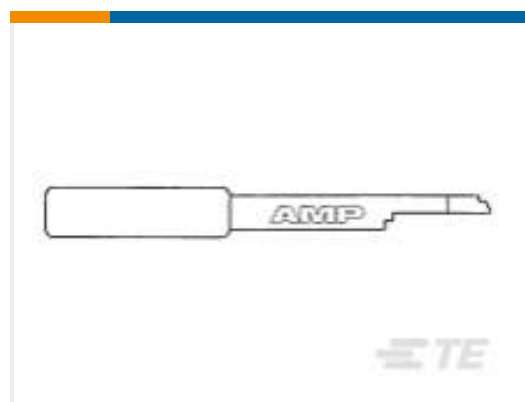
TE Part # 316293-2
DURABLE TYPE PBT FROM HYDROLYS



TE Part # 2-2150408-2
OCEAN_2.0_APPLICATOR-E-110F197F



TE Part # 2150408-2
OCEAN_2.0_APPLICATOR-E-110F197F



TE Part # 409643-1
EXT-TOOL FOR 3,2 CLUSTER REC



TE Part # 7-2150408-2
OCEAN_2.0_APPLICATOR-E-110F197F



TE Part # 7-2150408-7
OCEAN_2.0_SPARE_PART_KIT-110F197F

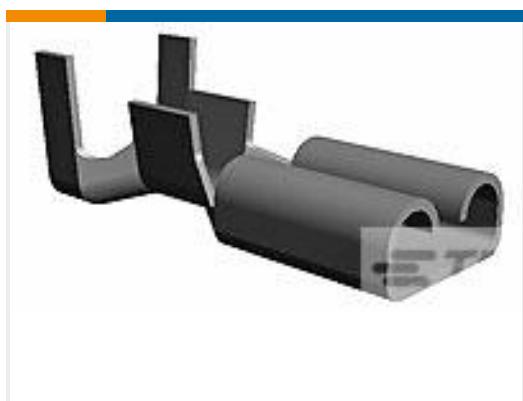
Customers Also Bought



TE Part #179938-1
AMP POWER DBL LOCK PLUG HSG 3P



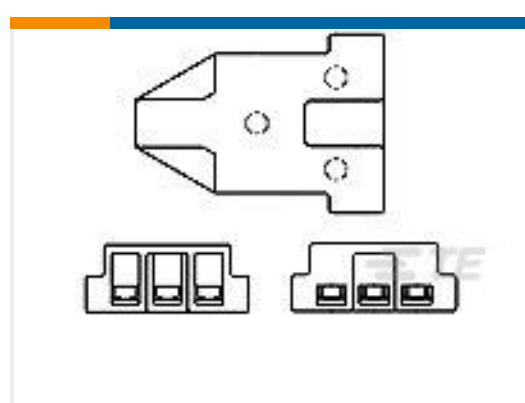
TE Part #170011-2
RING STRIP 18-14 MM2 0.503 X 11.938 TPBR



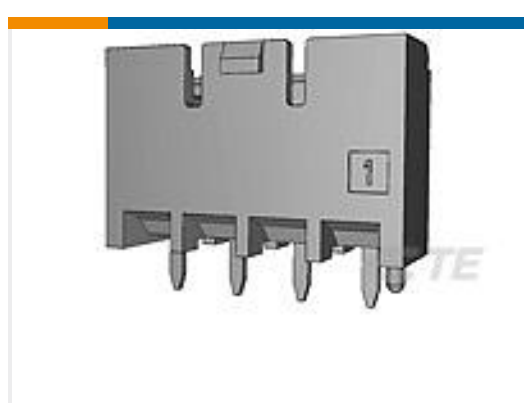
TE Part #170466-1
187 FASTON,REC.,18-14 AWG,TPBR



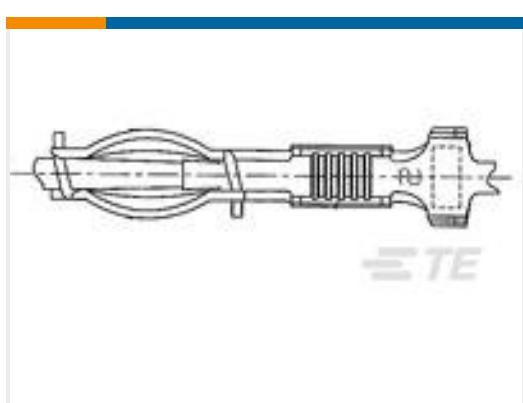
TE Part #170140-2
187 FASTON,FLAG,REC.,16-20 AWG, TPBR



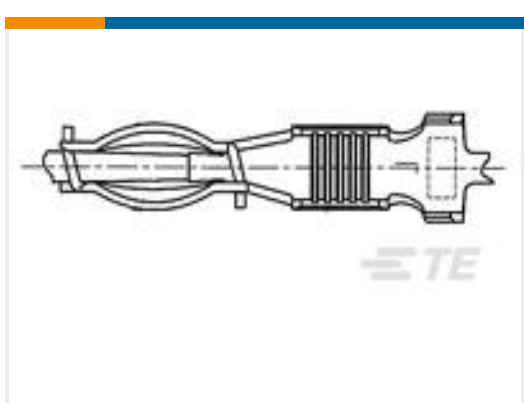
TE Part #171370-3
CLUSTER BLOCK HSG PBT



TE Part #5-1376382-1
5.0 POWER KEY CONNECTOR 2P HEA



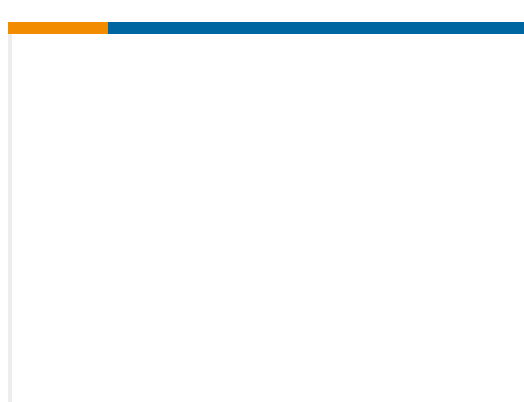
TE Part #1123655-1
2.3 DIA CLUSTER AMPLIVER S TIN



TE Part #353937-1
2.3 CLUSTER REC AMPLIVAR TYPE



TE Part #60873-1
250 FASTON FLAG REC 16-12 AWG TPBZ



TE Part #1-715283-1
BLADE, TRIM DOUBLE(MAG-MATE IN TPBZ)



Documents

Product Drawings

3.2 CLUSTER REC L-TYPE

English

CAD Files

3D PDF

3D

Customer View Model

[ENG_CVM_CVM_316292-1_E.2d_dxf.zip](#)

English

Customer View Model

[ENG_CVM_CVM_316292-1_E.3d_igs.zip](#)

English

Customer View Model

[ENG_CVM_CVM_316292-1_E.3d_stp.zip](#)

English

By downloading the CAD file I accept and agree to the [Terms and Conditions](#) of use.

Datasheets & Catalog Pages

Magnet Wire Terminals & Splices

English

Product Specifications

3.2DIA Cluster Receptacle

English

Application Specification

English

Product Environmental Compliance

[MD_316292-1_10142014919_dmtec](#)

English

[MD_316292-1_10142014919_dmtec](#)

English