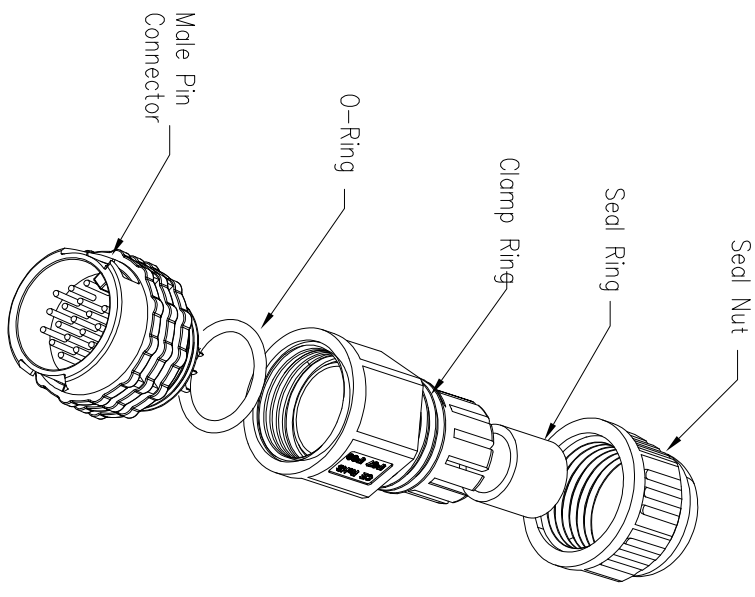
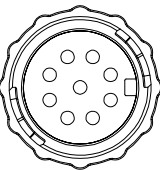
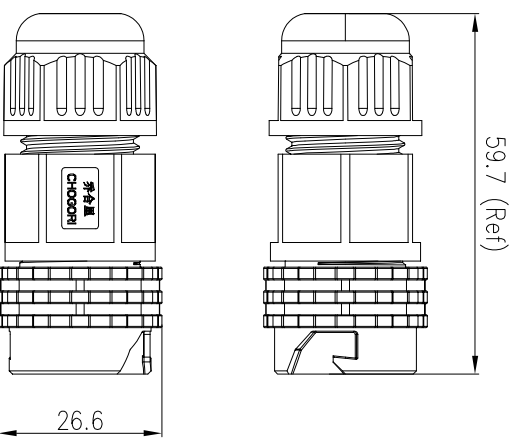
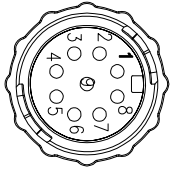


REV.	EN. NO.	DESCRIPTION	SIGN	DATE
C1	N/A	INITIAL DRAWING	Liu	2019/08/13

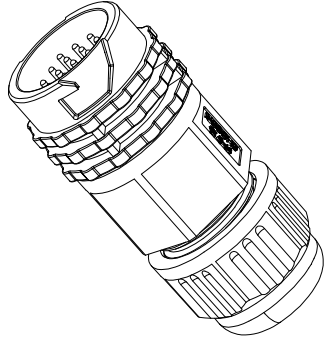


24XXX331-XX Cable Range OD  
 01 OD:  $\phi 3.5\text{mm} \sim \phi 6.8\text{mm}$   
 02 OD:  $\phi 6.8\text{mm} \sim \phi 10.5\text{mm}$



9 Pin P/N: 24009331-02  
 18 Pin P/N: 24018331-02

Pin Assignments Front View



- Specification:
1. Operation Temperature:  $-45^{\circ}\text{C} \sim 105^{\circ}\text{C}$ .
  2. Insulation Resistance:  $100\text{M}\Omega$  at DC500V.
  3. Contact Resistance:  $<10\text{m}\Omega$ .
  4. Withstand Voltage: 1500V AC
  5. Operating Current: 5A
  6. Operating Voltage: AC 125V
  7. Waterproof Rate: IP67 (Mated)
  8. Seal Nut: Nylon, Black
  9. Seal Ring: Silicon, Black.
  10. Clamp Ring: Nylon, Black
  11. O-Ring: Silicon, Red
  12. Male Pin: Copper Alloy, Gold Plated
  13. Connector: Nylon+GF, Black
  14. RoHS Compliant.
  15. Mating Cap: 806-00068-00

UNIT: mm	DESCRIPTION
TOLERANCE X: $\pm 0.25$ XX: $\pm 0.15$ XXX: $\pm 0.05$ ANGLES: $\pm 1'$	Large Series Push Lock Female Plug With Male Pin
SCALE: 1:1	SHEET 1 OF 1
REV: C1	SIZE: A4
* : Inspection Item	

**CHOGORI**

PART NO	24XXX331-XX	DRAWN BY	Liu	DATE	2019/08/13
DWG NO		CHECKED BY	Mo	DATE	2019/08/13
CUSTOMER		APPROVED BY	Panson	DATE	2019/08/13