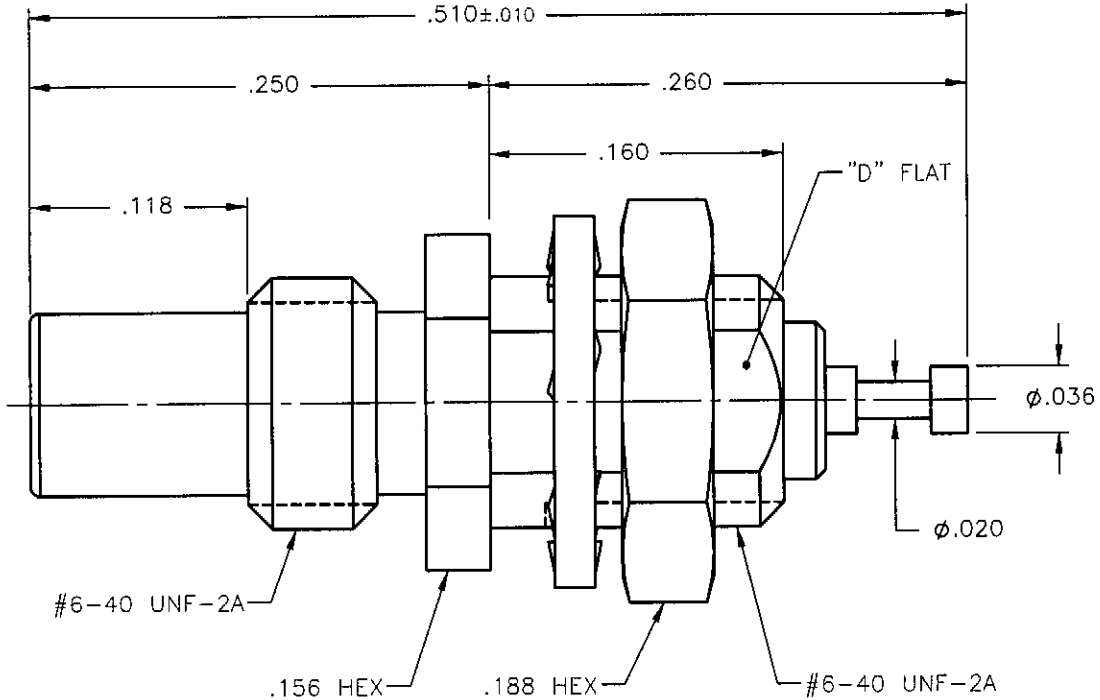


REVISIONS			
REV.	DESCRIPTION	DATE	APPROVED
C	ECO #7549	04/16/09	D.N.



NOTES:


MATERIALS:

1. BODY & CONTACT = BERYLLIUM COPPER PER ASTM B196, ALLOY C17300, TEMPER TD04.
2. INSULATOR = VIRGIN WHITE TEFLON PER ASTM D1710, GRADE 1, TYPE I, CLASS "B".
3. NUT = BRASS PER ASTM B16, ALLOY C36000, TEMPER H02.
4. LOCKWASHER = PHOSPHOR BRONZE PER ASTM B139, COPPER ALLOY C53400, TEMPER H04.

FINISHES:

1. CONTACT = GOLD PLATE PER MIL-G-45204, TYPE II, CLASS 1, GRADE C, OVER $.00010$ TO $.00020$ STRESS FREE SULFAMATE NICKEL PER QQ-N-290.
2. ALL OTHER METAL PARTS = GOLD PLATE PER MIL-G-45204, TYPE II, CLASS 0, GRADE C, OVER $.00010$ TO $.00020$ COPPER STRIKE PER MIL-C-14550.

Property of Radiall Incorporated
 This document cannot be reproduced or
 communicated to a third party without prior
 written permission of RADIALL Incorporated.

UNLESS OTHERWISE SPECIFIED DIMENSIONS ARE IN INCHES TOLERANCES ON	DWN:	DATE	 APPLIED ENGINEERING PRODUCTS 104 John W. Murphy Dr. New Haven, CT 06513 <i>a RADIALL company</i>		
	D.N.	04/16/09			
DECIMAL	ANGLE	CHKD:	DATE		
		A.D.M.	04/16/09		
		APVD:	DATE		
		J.M.	04/16/09		
REFERENCE:	MATERIALS & FINISHES:	SIZE	FSCM NO.	DWG NO.	REV
ORIGINATED: D.N. DATE: 03/04/91	SEE NOTES	A	19505	7119-1512-000	C
		SCALE	10:1	THIRD ANGLE PROJECTION	SHEET 1 OF 1

7119-1512-000