

XTOOL | D1 Pro

XTOOL



What is D1 Pro?

D1 Pro is a portable, intelligent laser dual-purpose machine that is easy to use and create work with ease. The laser energy is focused by compressed spot technology to achieve ultra-high precision engraving and cutting. The product supports multi-scene applications to meet the customized needs of different industries. Equipped with high power semiconductor laser, it is easy to engrave a variety of materials.

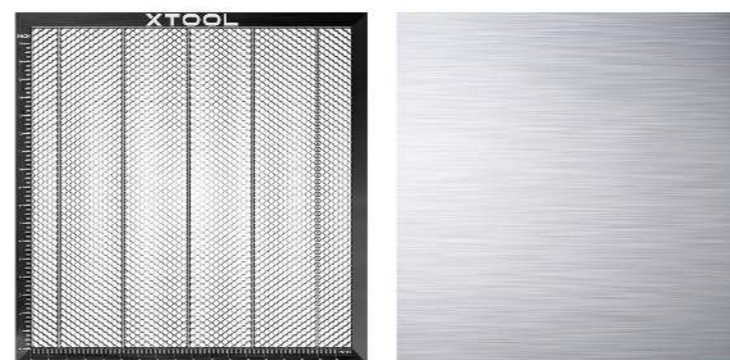


Available accessories



RA2 Professional

The world's first 4-in-1 rotary engraving module not only for normal cylinders but also for extra-long objects, irregular cylinders, balls, and rings.



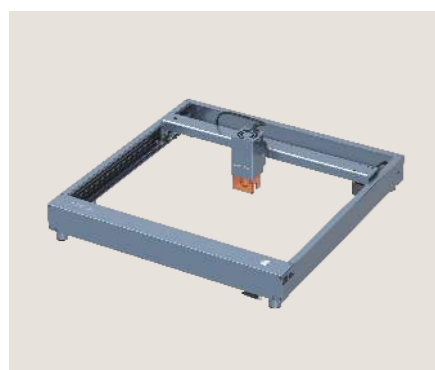
xTool Honeycomb Panel Set

Improves air circulation and protection to the workspace. User-friendly positioning and dimensional evaluation of processed objects thanks to the scales included.



Air Assist

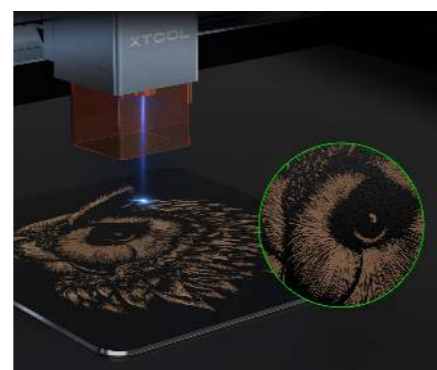
A steady stream of high-pressure air blows away smoke and residue, increasing the efficiency of laser use, saving processing time and significantly improving engraving and cutting results. It also reduces the noise and vibration generated by the machine during operation.



Aluminum alloy material design with professional structure design shows strong stability at high speed. Not only the strong performance but also the aesthetic design won the 2022 Red Dot Award.



Adopting the industry's most powerful 20W laser head, it is the thickest and fastest working semi-conductor machine, and can easily cut 12mm hard material / 10mm black acrylic at one time.



With 0.01mm accuracy and ultra-fine 0.08*0.08mm compressed laser spot to present the best details.



Ample working area of 430*400mm to carry out batch processing in one go and additional risers to support thicker objects and special attachments.



The laser shield automatically stops the machine when it moves or communication is interrupted, ensuring safe operation for the user.



Stainless steel, acrylic, kraft paper, cardboard, wood board, leather, plastic, MDF, glass, marble, ceramic, jade and more ideas to explore.

Tech Specification

	xTool D1 Pro-5W	xTool D1 Pro-10W	xTool D1 Pro-20W
Machine Power	36W	60W	120W
Laser Power	5W	10W	20W
Spot size	0.08mm	0.08mm	0.08mm
Wavelength	450-460nm	450-460nm	450-460nm
Connection method	USB/Wi-Fi	USB/Wi-Fi	USB/Wi-Fi
Operation System	Windows/macOS	Windows/macOS	Windows/macOS
Support Software	XCS/Lightburn	XCS/Lightburn	XCS/Lightburn
Product Weight	5kg	5kg	5.5kg
Product Size	600*590*150 mm	600*590*150 mm	600*590*150 mm