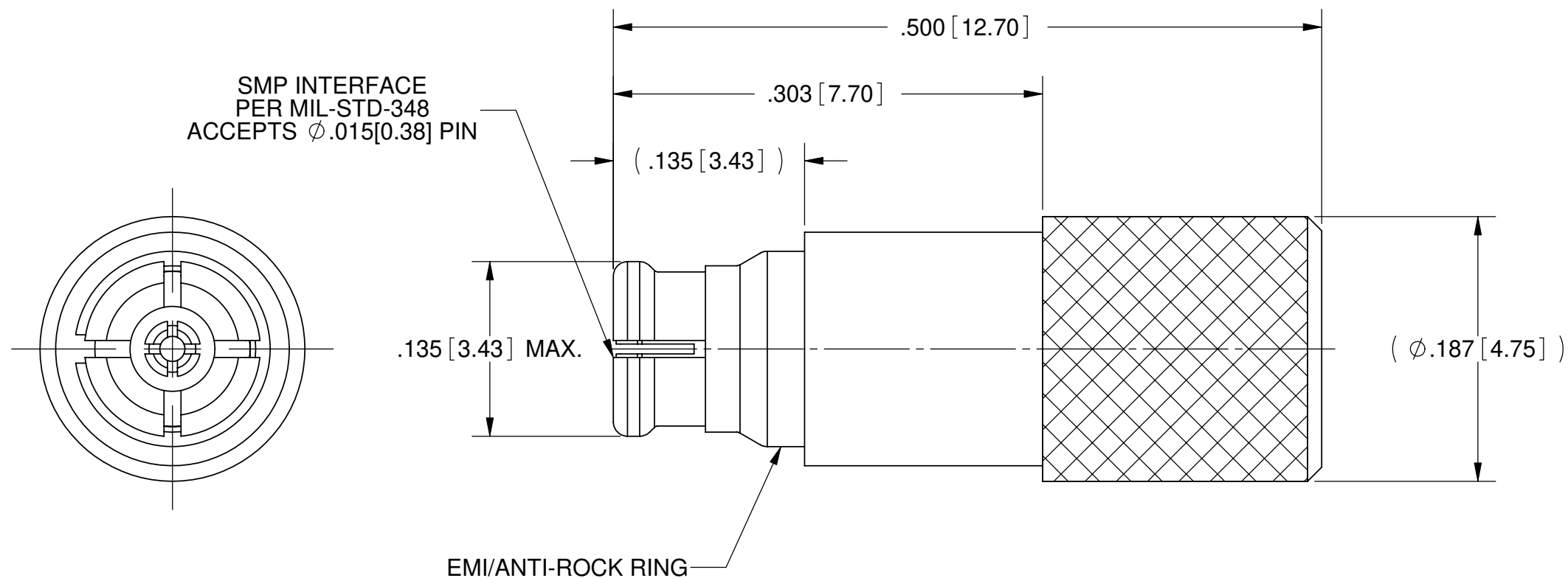


PRODUCT DATA DRAWING

REVISION HISTORY			
REV	DESCRIPTION	DATE	APPROVED
-	REL. DCN 36760	05/14/09	PS



MATERIALS:
 BODY, CONTACT,
 EMI/ANTI-ROCK RING: BERYLLIUM COPPER ALLOY PER ASTM B196
 ALLOY No. UNS17300 TD04

INSULATOR: PTFE PER ASTM D1710

FINISHES:
 BODY, CONTACT,
 EMI/ANTI-ROCK RING: GOLD PER ASTM B488, TYPE II, GRADE C,
 CLASS 1.27, OVER NICKEL PER AMS-QQ-N-290, CLASS 1

ELECTRICAL:
 IMPEDANCE: 50 OHMS

MATERIAL: SEE NOTES	DIMENSIONS ARE IN INCHES TOLERANCES: FRACTIONAL: ±1/64 ANGULAR: X° ±1'0" X°X' ±15'	UNLESS OTHERWISE SPECIFIED 1) ALL DIMENSIONS ARE IN INCHES (MILLIMETERS) 2) ALL DIMENSIONS ARE AFTER PLATING. 3) BREAK CORNERS & EDGES .005 R. MAX. 4) CHAM. 1ST & LAST THREADS. 5) SURFACE ROUGHNESS 63-MIL-STD-10. 6) DIA. 'S ON COMMON CENTERS TO BE CONCENTRIC WITHIN .005 T.I.R. 7) REMOVE ALL BURRS	SV Microwave, Inc. 2400 Centrepark West Drive, Suite 100 West Palm Beach, FL 33409
FINISH: SEE NOTES	DECIMAL: .X ±.030 .XX ±.010 .XXX ±.005	INTERPRET DIMENSIONS AND TOLERANCES PER ASME Y14.5M - 1994	TITLE: SMP SHORT, FEMALE
SURFACE AREA: N/A	THIRD ANGLE PROJECTION	DRAWN: JMC 05/14/09	SIZE: B CAGE CODE: 95077 DWG. NO. 8012-4008
<p>PROPRIETARY</p> <p>THE INFORMATION CONTAINED IN THIS DRAWING IS THE SOLE PROPERTY OF SV MICROWAVE, INC. ANY REPRODUCTION IN PART OR AS A WHOLE WITHOUT THE WRITTEN PERMISSION OF SV MICROWAVE, INC IS PROHIBITED.</p>		CHECKED: PS 05/14/09	SCALE: 10:1
		APPROVED: PS 05/14/09	SHEET 1 OF 1