

# Product data sheet

Specifications



Antimicrobial Flush mounted push button head, Harmony XB5, plastic, without cap, 30mm, spring return

ZB5FA0

## Main

Range of product	Harmony XB5
Product or component type	Head for non-illuminated push-button
Device short name	ZB5
Product compatibility	ZBYF... ZBZF32 ZBZF33 ZB5AZ
Bezel material	Dark grey plastic
Mounting diameter	1.20 in (30.5 mm)
Head type	Built-in-flush
Sale per indivisible quantity	1
Shape of signaling unit head	Round
Type of operator	spring return
Operator profile	without cap

## Complementary

CAD overall width	1.46 in (37 mm)
CAD overall height	1.46 in (37 mm)
CAD overall depth	1.18 in (30 mm)
Product weight	0.06 lb(US) (0.028 kg)
Mechanical durability	10000000 cycles
Electrical composition code	C1 9 single front mounting C2 9 single and double front mounting C11 3 single front mounting C15 1 single front mounting SF1 3 single front mounting

## Environment

Protective treatment	TH
Ambient air temperature for storage	-40...158 °F (-40...70 °C)
Ambient air temperature for operation	-40...158 °F (-40...70 °C)
Overtoltage category	Class II IEC 60536

<b>IP degree of protection</b>	IP66 IEC 60529 IP67 IEC 60529 IP69 IEC 60529 IP69K ISO 20653 Type 13 UL 50 E Type 12 UL 50 E Type 4 UL 50 E Type 4X UL 50 E
<b>Resistance to high pressure washer</b>	1015.26 psi (7000000 Pa) 131 °F (55 °C) 0.1 m
<b>IK degree of protection</b>	IK03 IEC 50102
<b>Standards</b>	JIS C8201-5-1 EN/IEC 60947-5-4 UL 508 EN/IEC 60947-1 EN/IEC 60947-5-1 CSA C22.2 No 14 JIS C8201-1 ISO 21702 ISO 22196:2011
<b>Product certifications</b>	CSA LROS (Lloyds register of shipping) UL listed BV GL DNV
<b>Shock resistance</b>	30 gn 18 ms) half sine wave acceleration IEC 60068-2-27 50 gn 11 ms) half sine wave acceleration IEC 60068-2-27 25 gn 6 ms) 1000 shocks on each axis IEC 60068-2-27
<b>Vibration resistance</b>	5 gn 10...500 Hz)IEC 60068-2-6 2 mm peak to peak 2...10 Hz)IEC 60068-2-6

## Packing Units

<b>Unit Type of Package 1</b>	PCE
<b>Number of Units in Package 1</b>	1
<b>Package 1 Height</b>	2.20 in (5.6 cm)
<b>Package 1 Width</b>	1.69 in (4.3 cm)
<b>Package 1 Length</b>	2.05 in (5.2 cm)
<b>Package 1 Weight</b>	0.78 oz (22 g)
<b>Unit Type of Package 2</b>	S02
<b>Number of Units in Package 2</b>	40
<b>Package 2 Height</b>	5.91 in (15 cm)
<b>Package 2 Width</b>	11.81 in (30 cm)
<b>Package 2 Length</b>	15.75 in (40 cm)
<b>Package 2 Weight</b>	2.62 lb(US) (1.187 kg)

## Offer Sustainability

<b>Sustainable offer status</b>	Green Premium product
<b>REACH Regulation</b>	<a href="#">REACH Declaration</a>
<b>EU RoHS Directive</b>	Pro-active compliance (Product out of EU RoHS legal scope) <a href="#">EU RoHS Declaration</a>
<b>Mercury free</b>	Yes
<b>China RoHS Regulation</b>	<a href="#">China RoHS declaration</a>
<b>RoHS exemption information</b>	<a href="#">Yes</a>
<b>Environmental Disclosure</b>	<a href="#">Product Environmental Profile</a>
<b>Circularity Profile</b>	<a href="#">End of Life Information</a>

# Contractual warranty

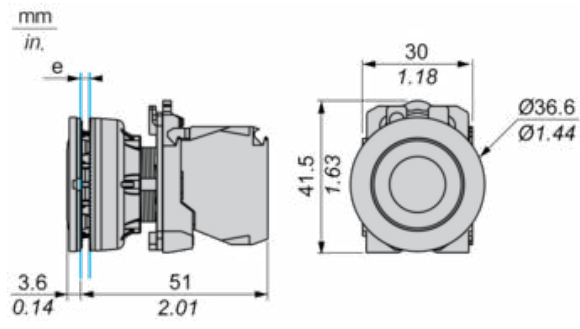
---

Warranty

18 months

Dimensions

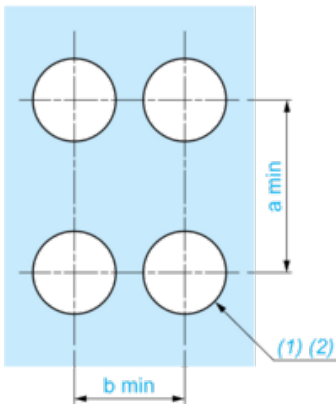
---



e: Clamping thickness: 1 to 6 mm / 0.04 to 0.24 in.

**Panel Cut-out for Pushbuttons, Switches and Pilot Lights (Finished Holes, Ready for Installation)**

**Connection by Screw Clamp Terminals or Plug-in Connectors**



(1) Diameter on finished panel or support

(2)  $\text{Ø}30.75 \text{ mm}$  recommended ( $\text{Ø}30.5 \text{ }_0^{+0.5}$ ) /  $\text{Ø}1.21 \text{ in.}$  recommended ( $\text{Ø}1.20 \text{ in. }_0^{+0.0196}$ )

Connections	a in mm	a in in.	b in mm	b in in.
By screw clamp terminals or plug-in connector	40	1.57	40	1.57
By Faston connectors	45	1.77	40	1.57

**Electrical Composition Corresponding to Code C1**

---



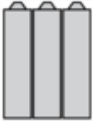
**Electrical Composition Corresponding to Code C2**

---



**Electrical Composition Corresponding to Codes C9, C11, SF1 and SR1**

---

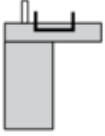




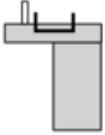
**Electrical Composition Corresponding to Code C15**

---

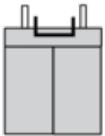
1 N/O



1 N/C



1 N/O + N/C or 1 N/O + N/O or 1 N/C + N/C



**Legend**

---

Single contact



Double contact



Light block

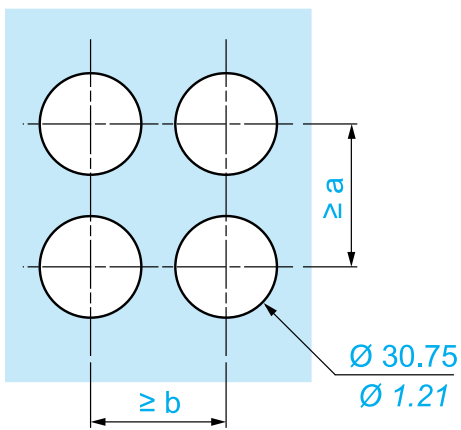
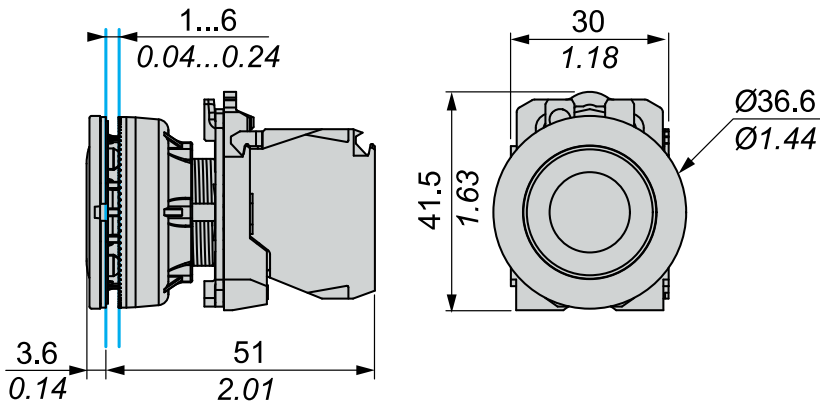


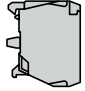
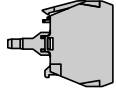
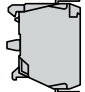
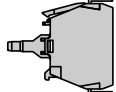
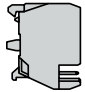
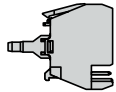
Possible location



**Dimensions**

mm  
in.



		a (mm)	a (in.)	b (mm)	b (in.)
		40	1.57	40	1.57
ZBE●●●●●	ZBV●●●●				
		45	1.77	40	1.57
ZBE●●●●●3	ZBV●●●●3				
		40	1.57	40	1.57
ZBE●●●●●4	ZBV●●●●4				

**Recommended replacement(s)**