

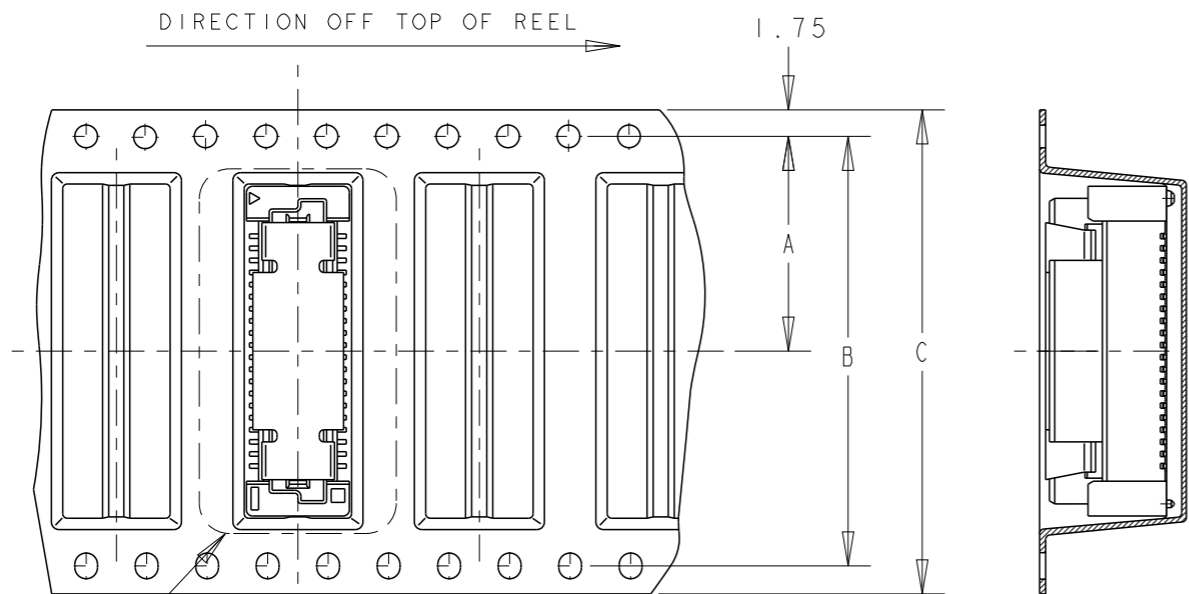
THIS DRAWING IS UNPUBLISHED. RELEASED FOR PUBLICATION 20
 © COPYRIGHT 20 BY - ALL RIGHTS RESERVED.

REVISIONS

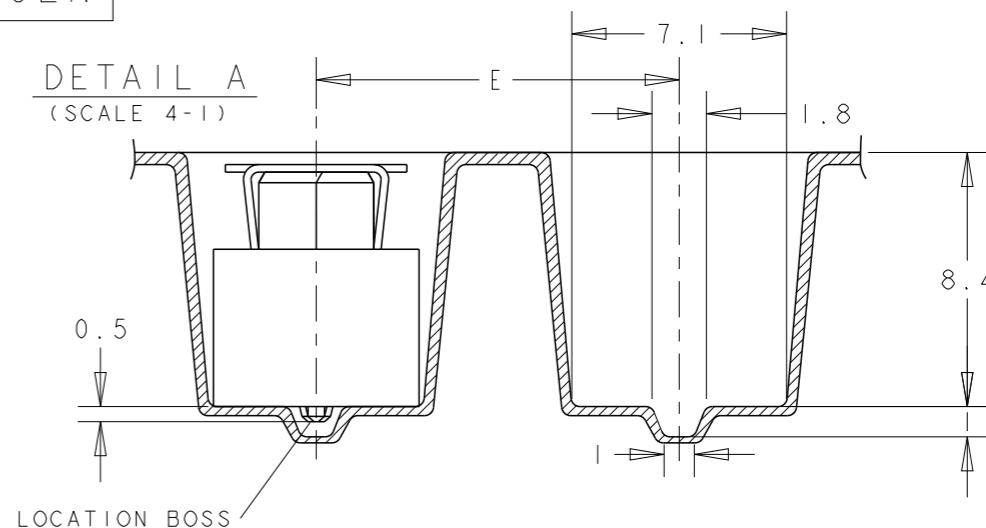
P	LTR	DESCRIPTION	DATE	DWN	APVD
D3		REVISED PER ECO-19-008170	18MAY2020	A.L	H.L

LOW HALOGEN

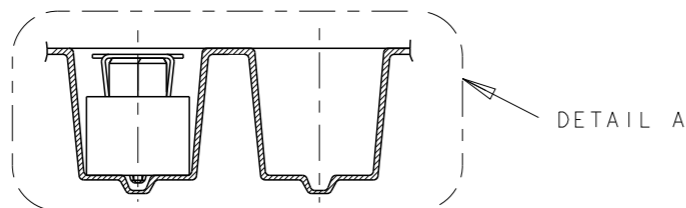
DIRECTION OFF TOP OF REEL



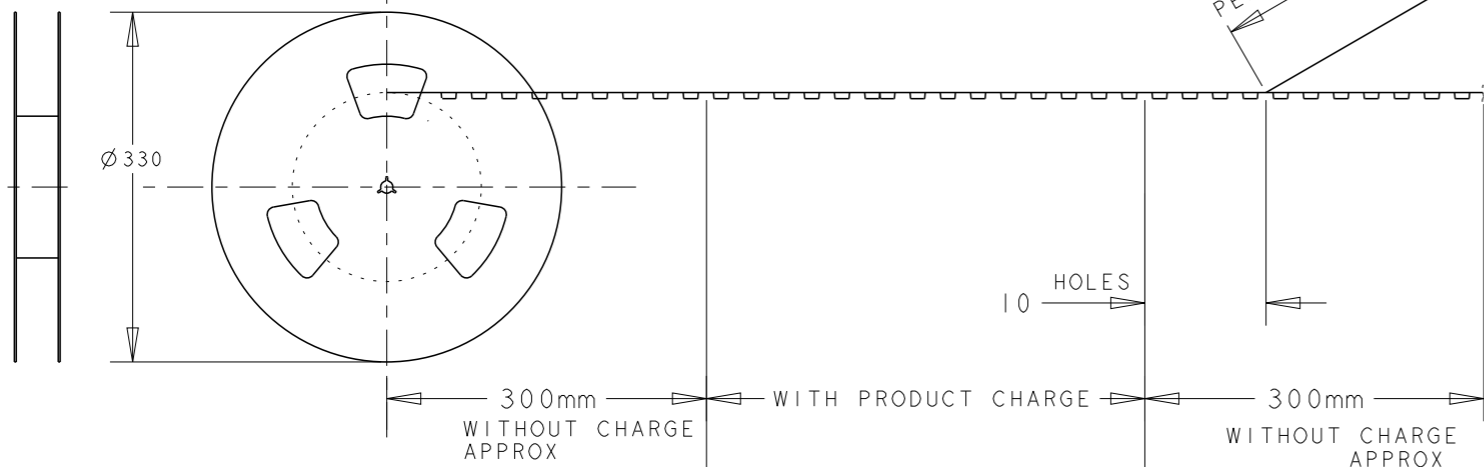
DETAIL A (SCALE 4-1)



DETAIL B



WINDING THE COVER TAPE AROUND THE OUTER PERIPHERY IN A TURN.

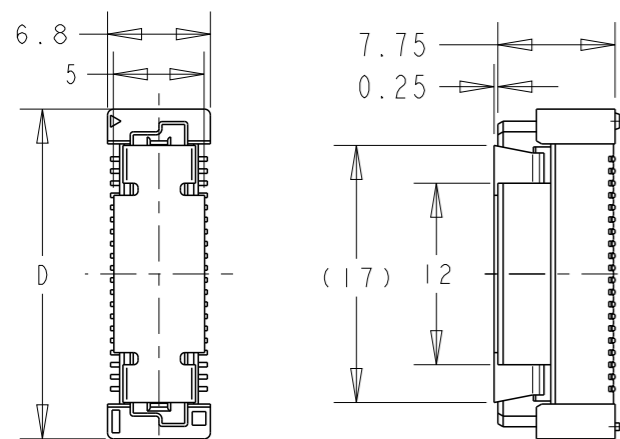


HOUSING COLOR	REMARKS	QTY	E	D	C	B	A	POS	PART NO	
NATURAL	4	400	16	45.8	72	68.4	34.2	100	9-	-4
		500	12	37.8	56	52.4	26.2	80	9-	-3
		500	12	29.8	44	40.4	20.2	60	9-	-2
		500	12	21.8	32	28.4	14.2	40	9-5179180-1	
	1	400	16	61.8	88	84.4	42.2	140	7-	-6
		400	16	53.8	72	68.4	34.2	120	7-	-5
		400	16	45.8	72	68.4	34.2	100	7-	-4
		500	12	37.8	56	52.4	26.2	80	7-	-3
		500	12	29.8	44	40.4	20.2	60	7-	-2
	2	500	12	21.8	32	28.4	14.2	40	7-5179180-1	
		400	16	61.8	88	84.4	42.2	140	5-	-6
		400	16	53.8	72	68.4	34.2	120	5-	-5
400		16	45.8	72	68.4	34.2	100	5-	-4	
500		12	37.8	56	52.4	26.2	80	5-	-3	
3	500	12	29.8	44	40.4	20.2	60	5-	-2	
	500	12	21.8	32	28.4	14.2	40	5-5179180-1		
	400	16	61.8	88	84.4	42.2	140	3-	-6	
	400	16	53.8	72	68.4	34.2	120	3-	-5	
	400	16	45.8	72	68.4	34.2	100	3-	-4	
4	500	12	37.8	56	52.4	26.2	80	3-	-3	
	500	12	29.8	44	40.4	20.2	60	3-	-2	
	500	12	21.8	32	28.4	14.2	40	3-5179180-1		

WITH STEEL COVER

NOTES:

- 1 0.00076 MIN GOLD PLATING. (30u INCHES GOLD PLATING)
- 2 0.00020 MIN GOLD PLATING. (8u INCHES GOLD PLATING)
- 3 0.00038 MIN GOLD PLATING. (15u INCHES GOLD PLATING)
- 4 0.000076 MIN GOLD PLATING (GOLD FLASH PLATING)



DETAIL B

THIS DRAWING IS A CONTROLLED DOCUMENT.

DIMENSIONS: mm		TOLERANCES UNLESS OTHERWISE SPECIFIED:	
		0 PLC	±
		1 PLC	±0.3
		2 PLC	±0.25
		3 PLC	±0.2
MATERIAL		4 PLC	±
		ANGLES	±3°
		FINISH	-

DWN	FLORENCE TAN	14SEP04
CHK	ERIC TNG	-
APVD	SE LEONG	-
PRODUCT SPEC	108-5390	
APPLICATION SPEC	114-5254	
WEIGHT	-	
CUSTOMER DRAWING		

STE TE Connectivity

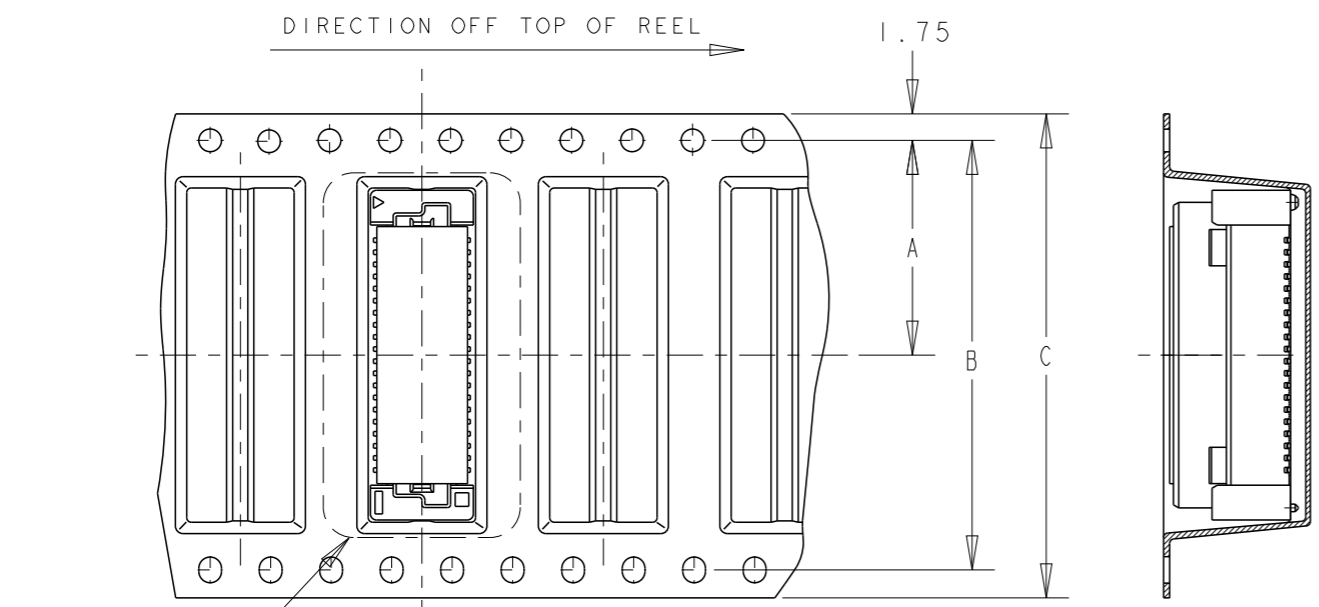
NAME: REC ASSY'Y 9H TYPE (0.5 BOSS L) FOR FH 0.8mm B-T-B CONN ON TAPING

SIZE	CAGE CODE	DRAWING NO	RESTRICTED TO
A3	00779	C-5179180	-

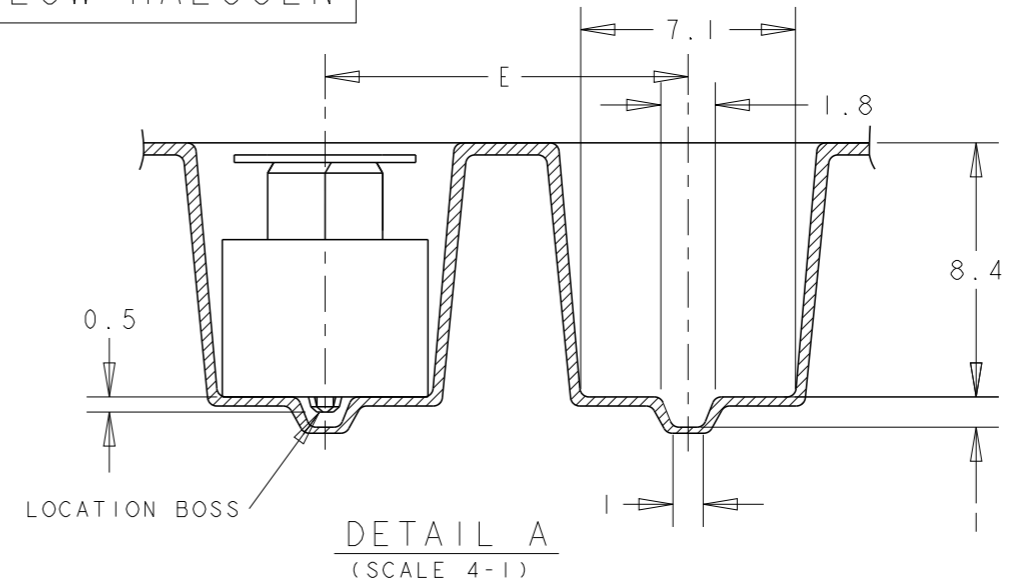
SCALE: 2:1 SHEET 1 OF 4 REV D3

THIS DRAWING IS UNPUBLISHED. RELEASED FOR PUBLICATION 20
© COPYRIGHT 20 BY - ALL RIGHTS RESERVED.

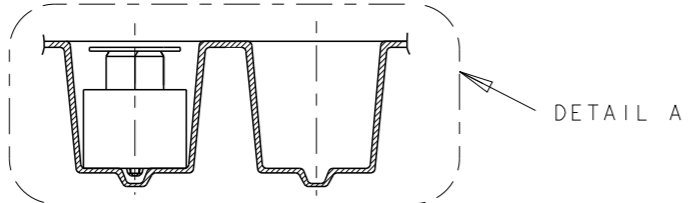
REVISIONS				
P	LTR	DESCRIPTION	DATE	APVD
		SEE SHEET 1		



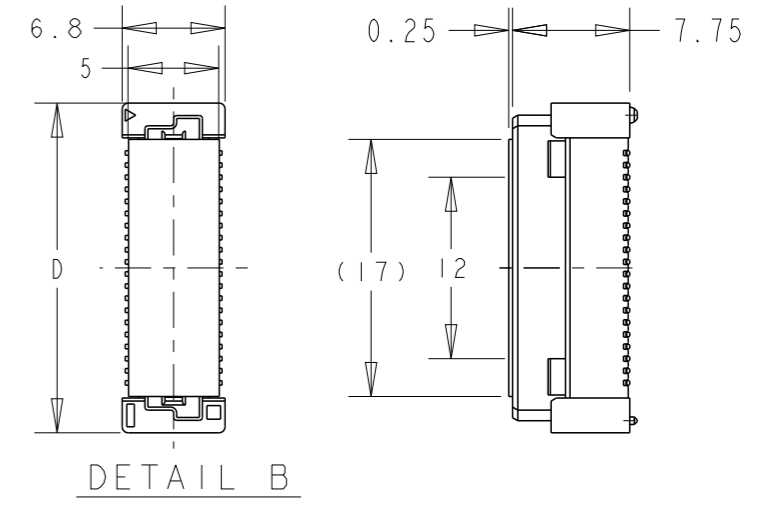
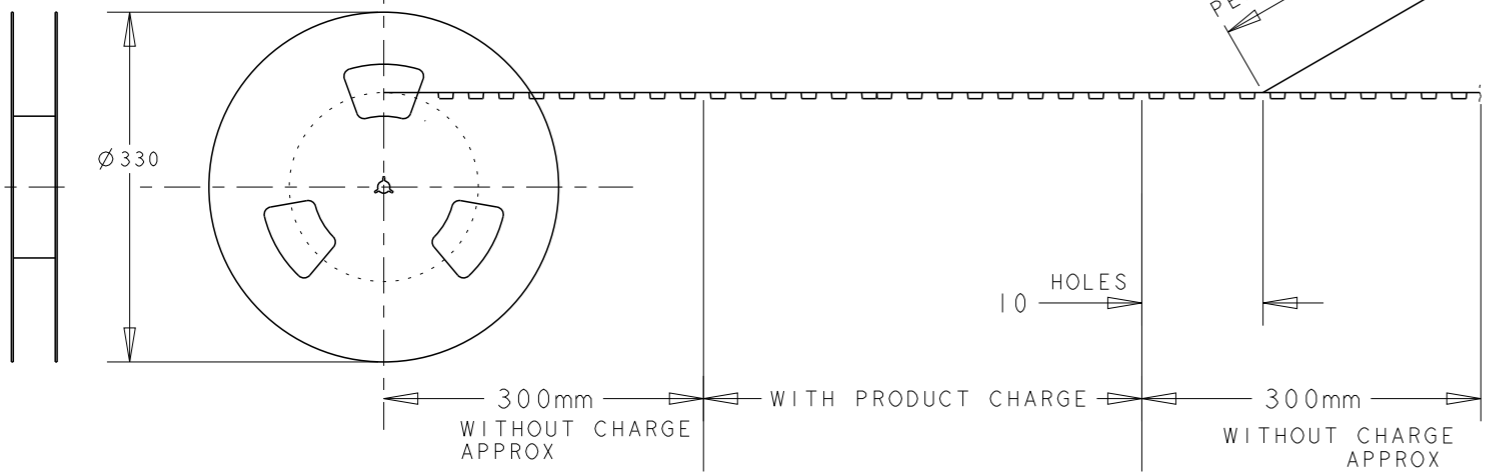
LOW HALOGEN



DETAIL B



WINDING THE COVER TAPE AROUND THE OUTER PERIPHERY IN A TURN.



WITH POLYIMIDE COVER

BLACK	△	400	16	61.8	88	84.4	42.2	140	9-5179180-6
HOUSING COLOR	REMARKS	QTY	E	D	C	B	A	POS	PART NO

THIS DRAWING IS A CONTROLLED DOCUMENT.	
DIMENSIONS: mm	TOLERANCES UNLESS OTHERWISE SPECIFIED:
	0 PLC ±0.3
	1 PLC ±0.25
	2 PLC ±0.2
	3 PLC ±0.2
	4 PLC ±0.2
	ANGLES ±3°
MATERIAL	FINISH
-	-

DWN	14SEP04
CHK	FLORENCE TAN
APVD	ERIC TNG
PRODUCT SPEC	SF LEONG
APPLICATION SPEC	108-5390
WEIGHT	114-5254
CUSTOMER DRAWING	-

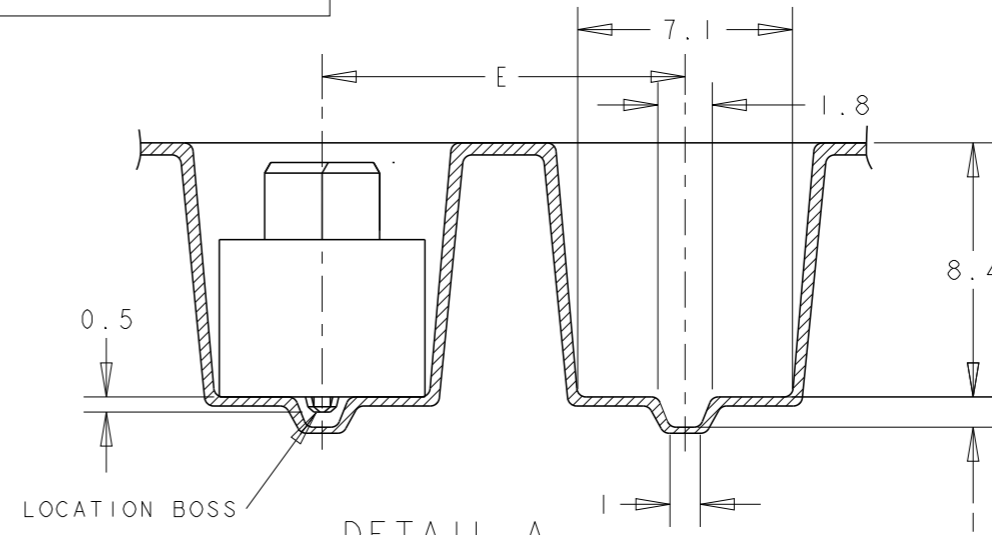
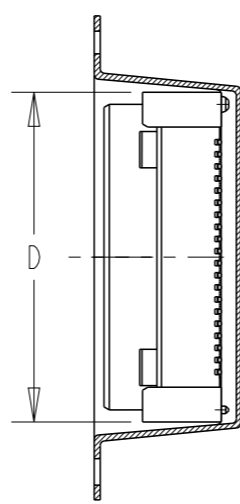
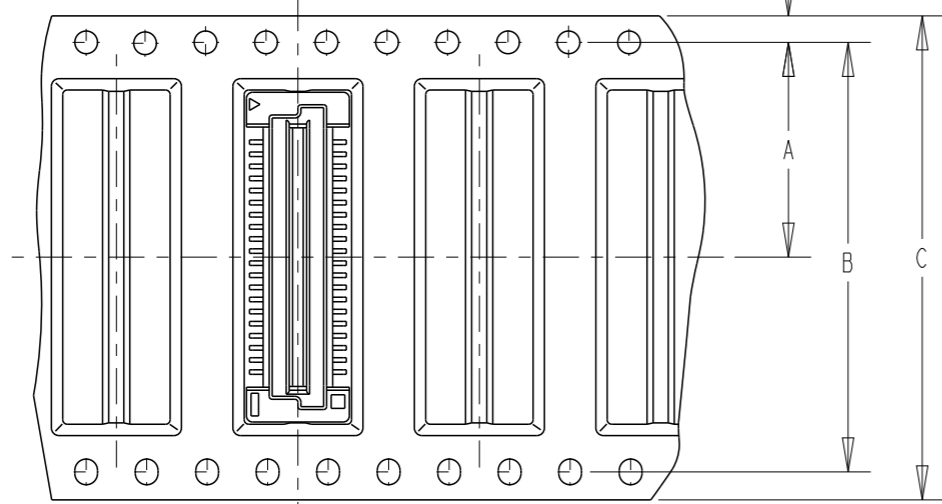
STE TE Connectivity			
NAME REC ASSY'Y 9H TYPE (0.5 BOSS L) FOR FH 0.8mm B-T-B CONN ON TAPING			
SIZE	CAGE CODE	DRAWING NO	RESTRICTED TO
A3	00779	5179180	-
SCALE 2:1		SHEET 2 OF 4	REV D3

P	LTR	DESCRIPTION	DATE	DWN	APVD
		SEE SHEET 1			

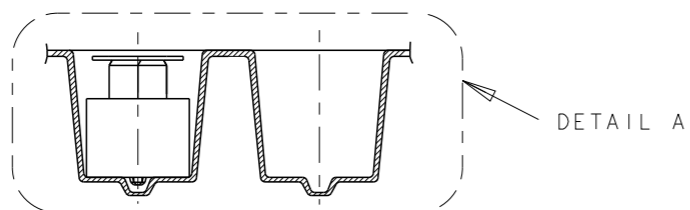
DIRECTION OFF TOP OF REEL

1.75

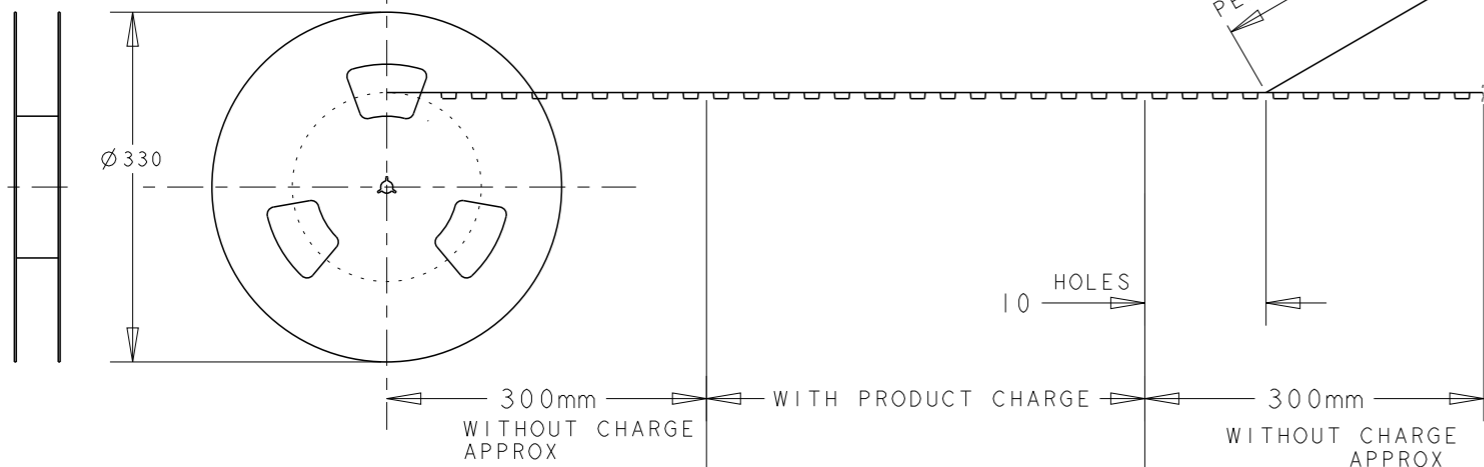
LOW HALOGEN



DETAIL A (SCALE 4-1)



WINDING THE COVER TAPE AROUND THE OUTER PERIPHERY IN A TURN.



WITHOUT COVER

NATURAL	△3	400	16	53.8	72	68.4	34.2	120	4-5179180-5
HOUSING COLOR	REMARKS	QTY	E	D	C	B	A	POS	PART NO

THIS DRAWING IS A CONTROLLED DOCUMENT.

DWN FLORENCE TAN 14SEP04



DIMENSIONS:	TOLERANCES UNLESS OTHERWISE SPECIFIED:
mm	
	0 PLC ±0.3
	1 PLC ±0.25
	2 PLC ±0.2
	3 PLC ±0.2
	4 PLC ±0.2
	ANGLES ±3°
MATERIAL	FINISH
-	-
-	-

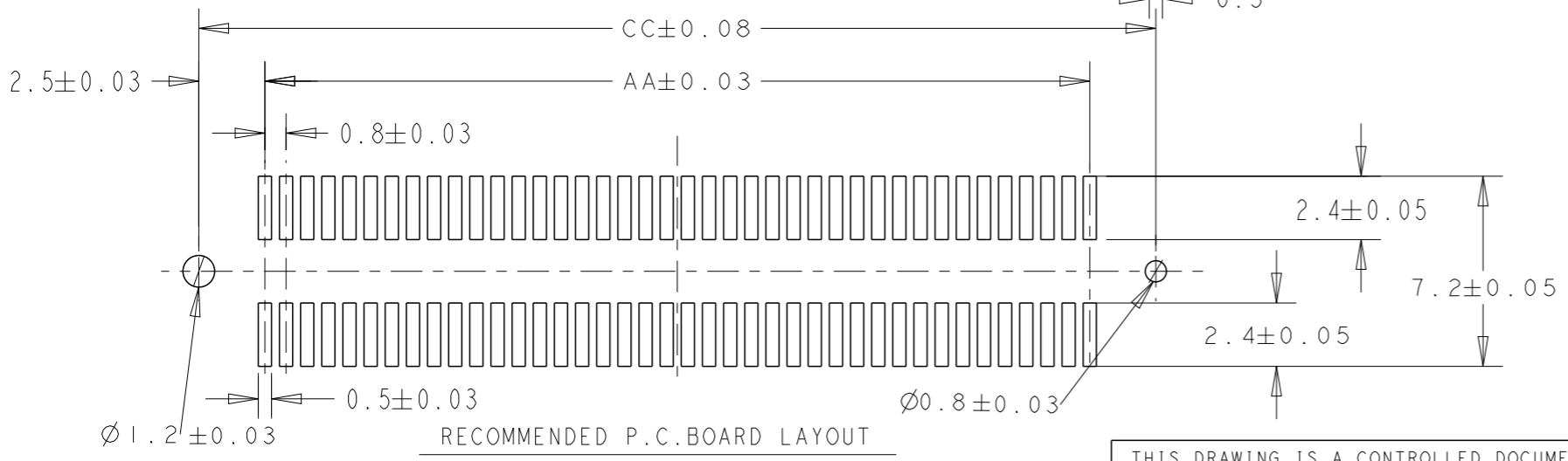
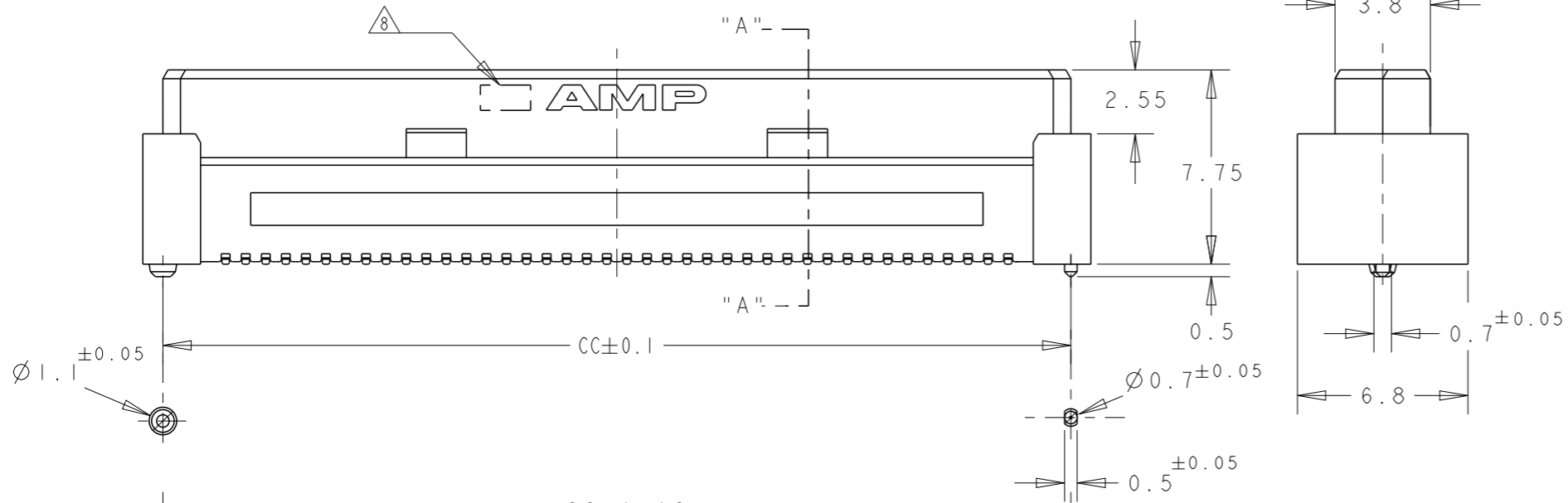
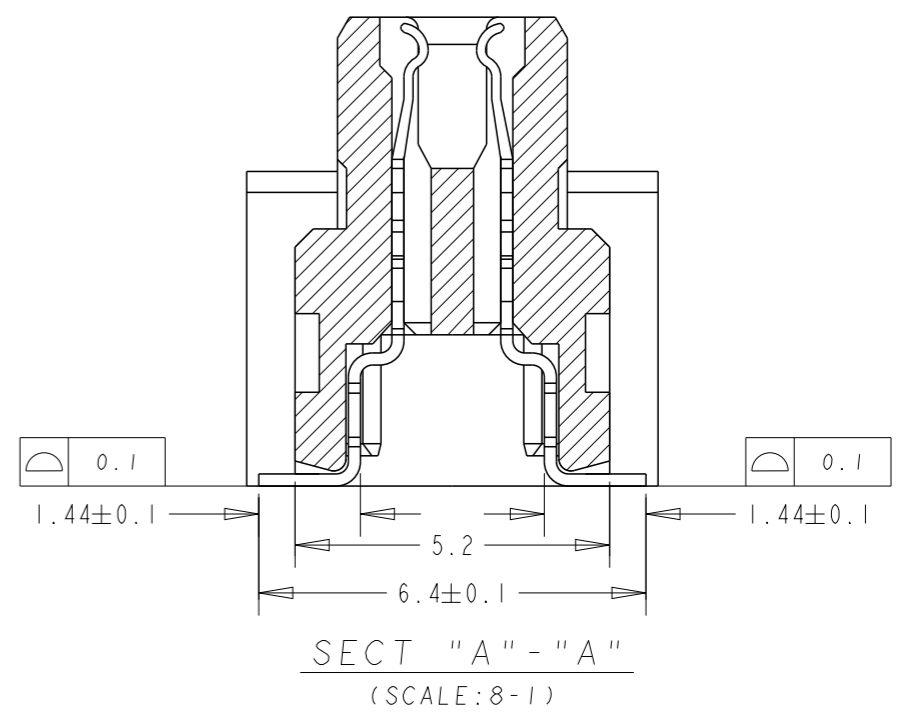
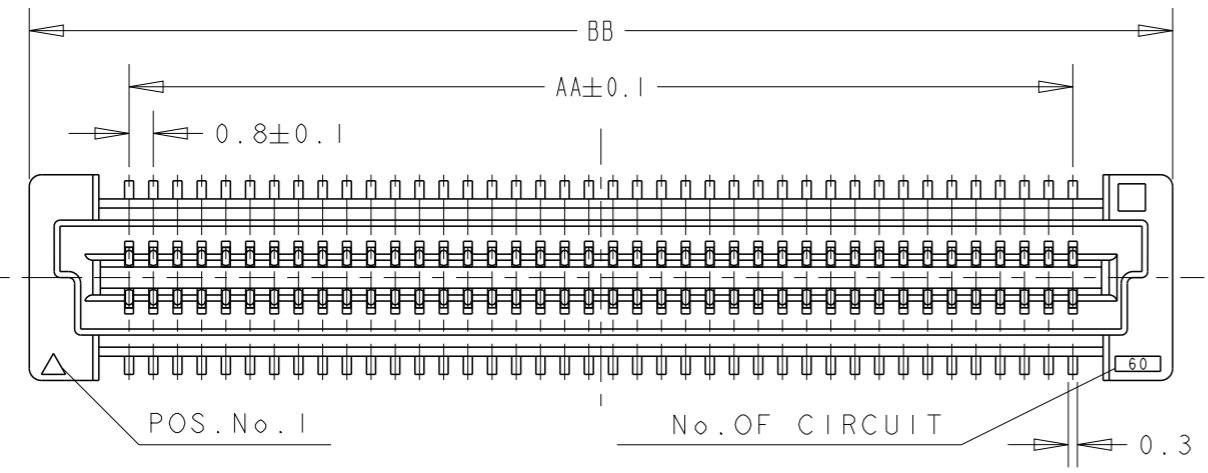
CHK ERIC TNG	NAME
APVD SE LEONG	REC ASSY'Y 9H TYPE
PRODUCT SPEC	(0.5 BOSS L) FOR FH 0.8mm B-T-B CONN
APPLICATION SPEC	ON TAPING
108-5390	
114-5254	
WEIGHT	
-	

SIZE	CAGE CODE	DRAWING NO	RESTRICTED TO
A3	00779	5179180	-
CUSTOMER DRAWING		SCALE 2:1	SHEET 3 OF 4
			REV D3

THIS DRAWING IS UNPUBLISHED. RELEASED FOR PUBLICATION 20
 © COPYRIGHT 20 BY - ALL RIGHTS RESERVED.

REVISIONS				
P	LTR	DESCRIPTION	DATE	APVD
		SEE SHEET 1		

LOW HALOGEN



84.20	85.80	79.20	200
76.20	77.80	71.20	180
68.20	69.80	63.20	160
60.20	61.80	55.20	140
52.20	53.80	47.20	120
44.20	45.80	39.20	100
36.20	37.80	31.20	80
28.20	29.80	23.20	60
20.20	21.80	15.20	40
CC	BB	AA	POS.

CONNECTOR ONLY

- NOTES:
- MATERIAL: HOUSING: L.C.P. (HIGH TEMP. THERMOPLASTIC) UL94V-0. CONTACT: COPPER ALLOY.
 - FINISH: CONTACT AREA: SEE SHEET 1 MIN GOLD ON 0.0013 MIN ALL OVER NICKEL. SOLDERING AREA: 0.002 MIN MATTE-TIN
 - CONN STACK HEIGHT COMBINE OF PLUG "Y" H VS REC "X" H. STACK HEIGHT = Y + X - 5
- MANUFACTURE PLANT LOCATION MARK. QINGDAO:

THIS DRAWING IS A CONTROLLED DOCUMENT.

DIMENSIONS: mm	TOLERANCES UNLESS OTHERWISE SPECIFIED:	DWN FLORENCE TAN 14SEP04	TE Connectivity NAME REC ASSY'Y 9H TYPE (0.5 BOSS L) FOR FH 0.8mm B-T-B CONN ON TAPING
	0 PLC ±	CHK ERIC TNG	
	1 PLC ±0.3	APVD SE LEONG	
	2 PLC ±0.25	PRODUCT SPEC 108-5390	
	3 PLC ±0.2	APPLICATION SPEC 114-5254	SIZE A3
	4 PLC ±	WEIGHT -	CAGE CODE 00779
MATERIAL -	FINISH -	CUSTOMER DRAWING	DRAWING NO C=5179180
			RESTRICTED TO -
			SCALE 2:1
			SHEET 4 OF 4
			REV D3