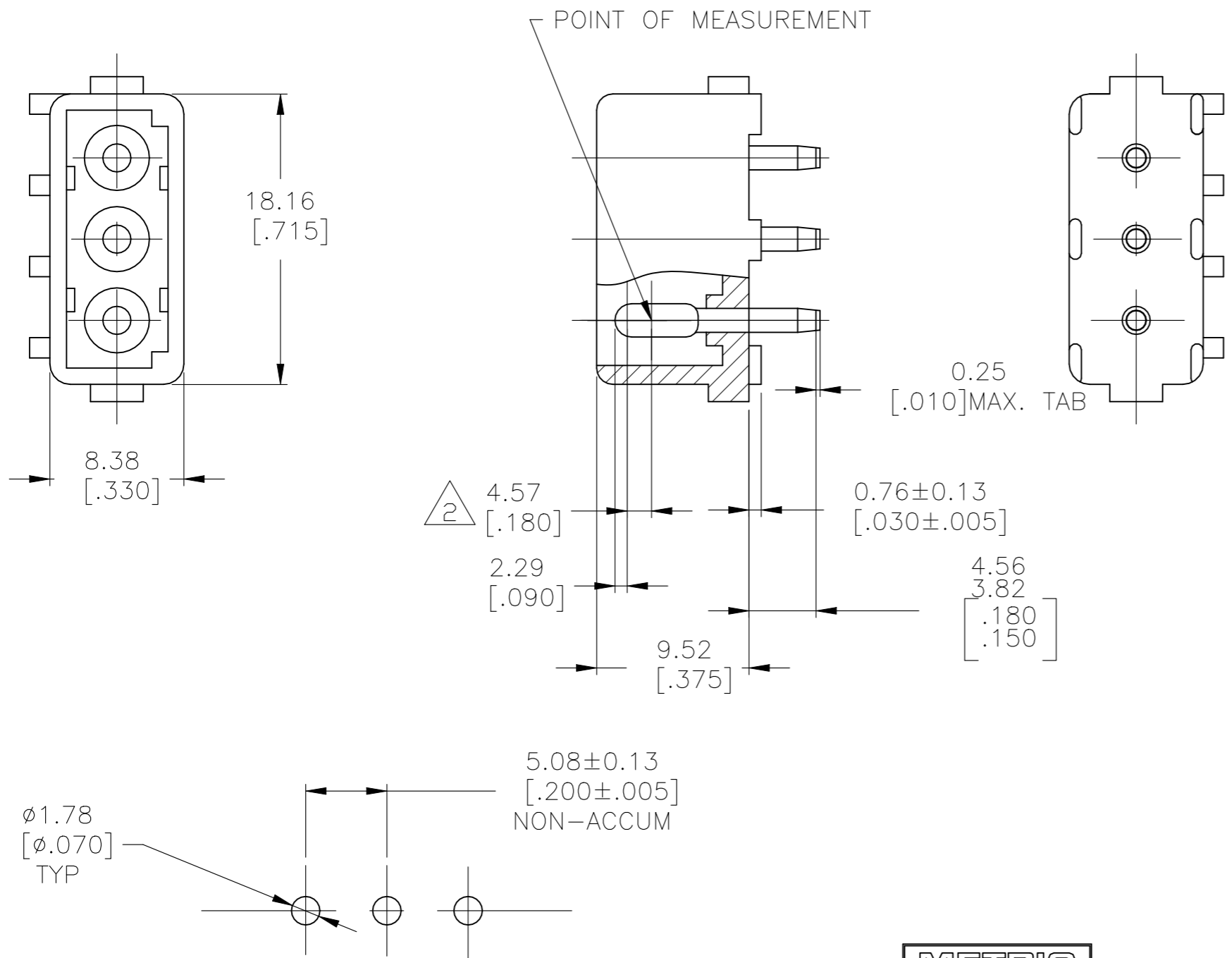
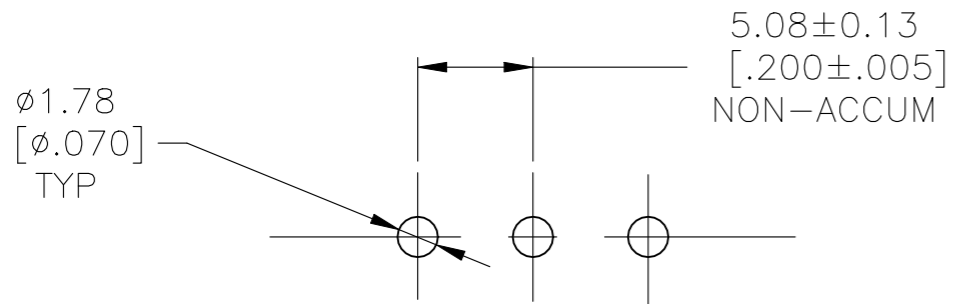


THIS DRAWING IS UNPUBLISHED. RELEASED FOR PUBLICATION
 © COPYRIGHT BY TYCO ELECTRONICS CORPORATION. ALL RIGHTS RESERVED.

LOC	DIST	REVISIONS					
CM	00	P	LTR	DESCRIPTION	DATE	DWN	APVD
		A		REVISED PER ECR-21-117185	25OCT2021	PJ	VS



- PARTS MUST COMPLY WITH SOLDERABILITY SPEC. 109-11-3.
- CONTACT IS PLATED OVERALL WITH .000050 NICKEL, THEN .000030 GOLD OVER CONTACT LENGTH INDICATED AND MATTE TIN ON SOLDER TAIL END.
- DIMENSION SHOWN REPRESENT PRODUCT IN DRY CONDITION. ADDITIONAL 2% GROWTH DUE TO END USE LOCATION MOISTURE ABSORPTION MAY OCCUR AND SHOULD BE ACCOUNTED FOR.



RECOMMENDED LAYOUT FOR
 1.575 [0.062] THICK P.C. BOARD

METRIC

1586514-2	NYLON-NATURAL	COPPER ALLOY-GOLD
ASSEMBLY NO.	HSG, MATL& COLOR	PIN MATL & FINISH

THIS DRAWING IS A CONTROLLED DOCUMENT.		DWN	ARJUN	06OCT2005	 Tyco Electronics Corporation Harrisburg, PA 17105-3608
DIMENSIONS: mm [INCHES]		CHK	D.COLEY	06OCT2005	
TOLERANCES UNLESS OTHERWISE SPECIFIED:		APVD	D.COLEY	06OCT2005	
0 PLC ± - 1 PLC ± - 2 PLC ± - 3 PLC ± - 4 PLC ± - ANGLES ± -		PRODUCT SPEC	NAME		
MATERIAL	SEE TABLE	FINISH	SEE TABLE	3 CIRCUIT COMMERCIAL MATE-N-LOK(TM) HEADER	
APPLICATION SPEC		WEIGHT		SIZE	RESTRICTED TO
CUSTOMER DRAWING		A3		CAGE CODE	00779
SCALE		3:1		DRAWING NO	G-1586514
SHEET		1 OF 1		REV	A