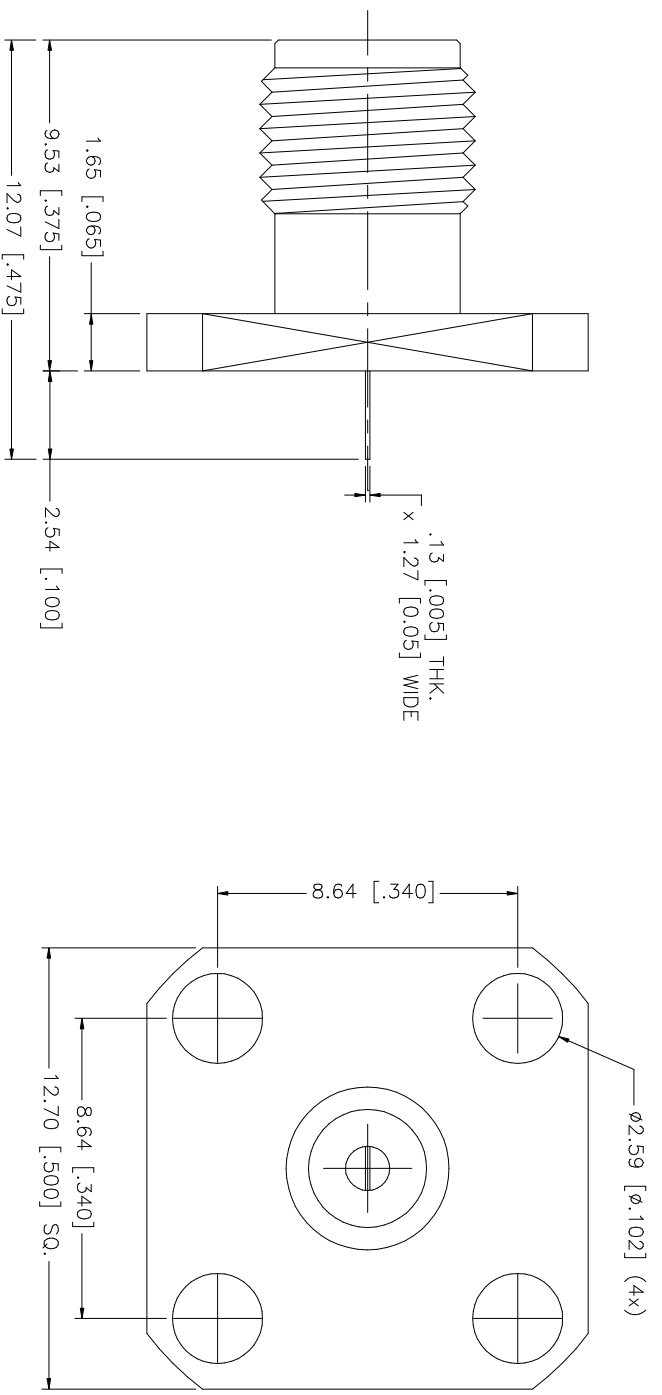


REV.	DATE	DESCRIPTION
NC	04/30/00	INITIAL RELEASE
A	09/29/05	UPDATE DRAWING FORMAT



NO.	DESCRIPTION	MATERIAL	FINISH	QTY	UNLESS OTHERWISE SPECIFIED, DIMENSIONS ARE IN MILLIMETERS. DIMENSIONS IN [ ] ARE IN INCHES AND FOR CUSTOMER REFERENCE ONLY.	APPROVALS	DATE	PART DESCRIPTION				
8					UNLESS OTHERWISE SPECIFIED, DIMENSIONS ARE IN MILLIMETERS. DIMENSIONS IN [ ] ARE IN INCHES AND FOR CUSTOMER REFERENCE ONLY.	DRAWN	G.R.S.	09/29/05	<b>Amphenol Connex</b> PART DESCRIPTION <b>SMA FOUR (4) HOLE PANEL RECEPTACLE</b> (.500 SQ. PANEL) PART NO. 132166			
7					UNLESS OTHERWISE SPECIFIED, TOLERANCES FOR MILLIMETERS ARE:	CHECKED						
6					0.5 - 8mm ± 0.20mm	ISSUED						
5					8 - 30mm ± 0.40mm	SHEET	1 OF 1					
4					30 - 120mm ± 0.50mm	CAD FILE C:/132/132166.DWG						
3	CONTACT PIN	BER. COPPER	GOLD	1	UNLESS OTHERWISE SPECIFIED, TOLERANCES FOR INCHES ARE:							
2	INSULATOR	TEFLON	NATURAL	1	.020 - .315 = ± 0.007"							
1	BODY	BRASS	GOLD	1	.315 - 1.180 = ± 0.015" 1.180 - 4.724 = ± 0.020"							
DESCRIPTION					MATERIAL	FINISH	QTY	DO NOT SCALE DRAWING	DWG. NO. 132166.DWG	REV. A	SIZE A	SCALE NA