

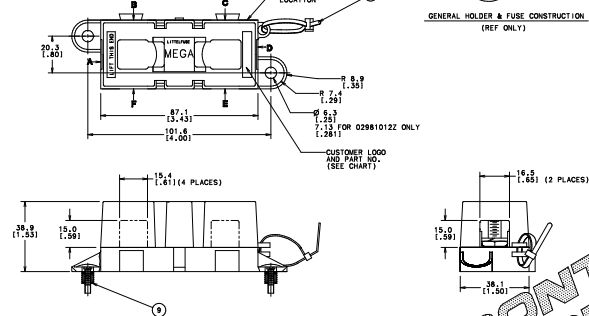
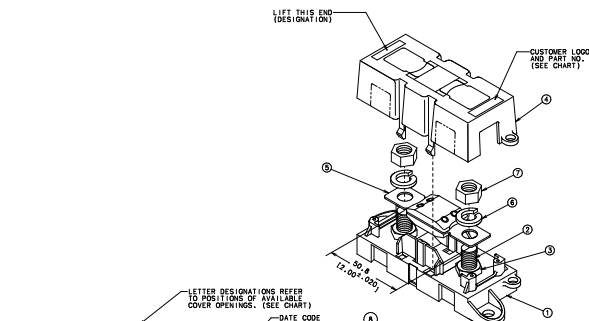
ASSEMBLY NO.	BASE NO. ①	BOLT ②	JAM NUT ③	COVER NO. ④	COVER OPENING	PART NO. AND/OR COLOR	FUSE NO. ⑥	WASHER ⑦	WASHER QTY/PCS	NUT ⑩	NUT QTY/PCS	TETHER ⑪	RACHET FASTENERS ⑫	RACKET PARTS ⑬	CARTON QTY/PCS	BAG QTY.	LABEL QTY.	PAD QTY.	POLY BAG ⑮	POLY BAG QTY. ⑯
029810012	2989001-1	902-146-001	903-129-001	2989001-10	A D	N/A	NONE	901-282-001	2000	903-130-001	2000	890-515	NONE	NONE	6.25	6.25	6.25	37.5	NONE	NONE
029810027	2989001-2	902-146-001	903-129-001	2989001-10	A D	N/A	NONE	901-282-001	2000	903-130-001	2000	890-515	NONE	NONE	7.14	7.14	7.14	42.84	NONE	NONE
029810037	2989001-1	902-146-001	903-129-001	2989001-11	A B C D E F	N/A	NONE	901-282-001	2000	903-130-001	2000	890-515	NONE	NONE	6.25	6.25	6.25	37.5	NONE	NONE
029810047	2989001-1	902-146-001	903-129-001	2989001-12	A C F	N/A	0298175.ZXB	NONE	NONE	NONE	NONE	890-515	NONE	NONE	6.25	6.25	6.25	37.5	NONE	NONE
029810057	2989001-1	902-146-001	903-129-001	2989001-13	A C D E	N/A	NONE	901-282-001	2000	903-130-001	2000	890-515	NONE	NONE	6.25	6.25	6.25	37.5	NONE	NONE
029810067	2989001-3	902-146-002	903-129-002	2989001-11	A B C D E F	N/A	0298175.ZXF4F	NONE	NONE	903-136	2000	NONE	888-100	2000	6.25	6.25	6.25	37.5	NONE	NONE
029810077	2989001-2	902-146-001	903-129-001	2989001-17	A E	H83 837 986 ⑧ QND	0298200.ZXE	901-282-001	2000	903-130-001	2000	NONE	NONE	NONE	7.14	7.14	7.14	42.84	NONE	NONE
029810087	2989001-2	902-146-001	903-129-001	2989001-18	A D E	H83 837 986 ⑧ QND	0298200.ZXE	901-282-001	2000	903-130-001	2000	NONE	NONE	NONE	7.14	7.14	7.14	42.84	NONE	NONE
029810097	2989001-3	902-146-002	903-129-002	2989001-18	D E F	N/A	0298175.ZXF4F	NONE	NONE	NONE	NONE	NONE	NONE	NONE	6.25	6.25	6.25	37.5	NONE	NONE
029810107	2989001-1	902-146-001	903-129-001	2989001-13	A C D E F	N/A	0298500.ZXS	NONE	NONE	903-130-001	2000	890-515	NONE	NONE	6.25	6.25	6.25	37.5	NONE	NONE
029810117	2989001-5	902-146-001	903-129-001	2989001-25	B C E F	N/A	0298500.ZXS	NONE	NONE	903-149	2000	890-515	NONE	NONE	7.14	7.14	7.14	42.84	NONE	NONE
029810127	2989001-6	902-146-001	903-129-001	2989001-26	B C E F	N/A	NONE	901-282-001	2000	903-130-001	2000	890-515	NONE	NONE	6.25	6.25	6.25	37.5	NONE	NONE
029810137	2989001-3	902-146-002	903-129-002	2989001-26	B C	N/A	0298175.ZXF4F	NONE	NONE	903-136	2000	NONE	888-100	2000	6.25	6.25	6.25	37.5	NONE	NONE
029810147	2989001-1	902-146-001	903-129-001	2989001-10	A D	N/A	0298100.ZXB	NONE	NONE	NONE	NONE	890-515	NONE	NONE	6.25	6.25	6.25	37.5	NONE	NONE
029810157	2989001-2	902-146-001	903-129-001	2989001-30	A C E	H83 837 986 ⑧ QND	0298200.ZXE	901-282-001	2000	903-130-001	2000	NONE	NONE	NONE	7.14	7.14	7.14	42.84	898-365	14.28
029810167	2989001-2	902-146-001	903-129-001	2989001-29	C F	H83 837 986 ⑧ QND	0298100.ZXE	901-282-001	2000	903-130-001	2000	NONE	NONE	NONE	7.14	7.14	7.14	42.84	898-365	14.28



- NOTES:
- NUTS ⑩ TO BE ASSEMBLED BELOW STUD END WITH THE COVER ON. TORQUE TO 50 IN-LBS. WASHERS & HEX NUTS NOT TO BE ASSEMBLED TO BASE.
 - BOLT HEAD TO BE RECESSED IN HOUSING BASE BY .110 MINIMUM.
 - COVER RETENTION TEST A MINIMUM FORCE OF 2 LBS. IS REQUIRED TO REMOVE COVER WHEN IT IS SUSPENDED UPSIDE DOWN. FORCE SHALL BE APPLIED THROUGH THE INNER HOLES ⑫ IN BASE. USE FIXTURE #1-4343 TO SUPPORT PART.
 - TORQUE REQ. FOR NUT ⑩ **Emm** 50 IN-LBS.

5. MATERIALS:
- BODY - GLASS FILLED THERMOPLASTIC
 - COLOR - BLACK
 - COVER - THERMOPLASTIC
 - COLOR - BLACK
 - WIRE TIE - THERMOPLASTIC
 - COLOR - BLACK
 - STUDS & NUTS - M4 X 1.25 STEEL
 - PLATE WITH SILICOMATE
 - MEETS 72 HR. ASTM STD. B-17 SALT SPRAY REQ.
6. 250 AMP. MAX. RATING
7. TORQUE REQUIREMENT FOR MEGA FUSE TERMINAL & CONDUCTOR LOCKING NUTS ⑬ TO BE: **Emm** Nut - 12-18 NEWTON METERS **Emm** Hex Nut - 14-20 NEWTON METERS
8. HOLDER MEETS L/F VALIDATION TEST SPEC. VS-05002.

- PACKAGING NOTES:
- HOLDERS ARE POSITIONED IN CARTON ON THEIR SIDE.
 - ALL HOLDERS HAVE COVERS SUPPLIED ON EXCEPT FOR OVERSHOTS, WHICH HAS COVER SEALED BUT NOT SHIPPED DOWN.
 - HOLDERS USING 2989001-1, OR 2989001-3 OR 2989001-6 BASE ARE PACKED 180 PCS IN CARTON LINED WITH BAG, FIVE LAYERS WITH 22 HOLDERS/LAYER. PLACE A PAD ON BOTH TOP AND BOTTOM IN EACH LAYER. FOLD BAG CLOSED AND SEAL CARTON WITH OVERSHOTS TAPE AND AFFIX LABEL. PRINTED PER GENERAL LABEL SPEC 15-000003.
 - HOLDERS USING 2989001-2 OR 2989001-8 BASE ARE PACKED 140 PCS IN CARTON LINED WITH BAG, FIVE LAYERS 28 HOLDERS/LAYER. PLACE A PAD ON BOTTOM, TOP AND BETWEEN EACH LAYER. FOLD BAG CLOSED AND SEAL CARTON WITH OVERSHOTS TAPE AND AFFIX LABEL PRINTED PER GENERAL LABEL SPEC 15-000003.
- PACKAGING NOTES FOR (029810152 AND 029810162):
- PLACE 280 WASHERS ⑦ IN BAG 898-365 AND 280 HEX NUTS ⑩ IN BAG 898-365. HEAT SEAL BAGS AND PLACE ON TOP OF THE LIFT CARBOARD PAD. THE NUTS MUST BE SPREAD OUT TO ONLY A SINGLE LAYER IN THE BAG. CLOSE AND SEAL THE BOX.



LTN	DATE	DESCRIPTION	BY	CHK
K	06/08/02	ISSUE FOR REVIEW & SIGNATURE FOR DESIGN		
L	06/07/02	ISSUE FOR RELEASE 029810000	FAH	
M	07/07/02	ISSUE FOR RELEASE 029810000	FAH	
N	06/09/02	ISSUE FOR RELEASE 029810000	FAH	
O	07/11/02	ISSUE FOR RELEASE 029810012	BJJ	
P	10/17/02	ISSUE FOR RELEASE 029810012 & 029810013	BJJ	
S	11/21/02	ISSUE FOR RELEASE 029810012	BJJ	
T	12/19/02	ISSUE FOR RELEASE 029810012 & 029810013	BJJ	
U	01/17/03	ISSUE FOR RELEASE 029810012 & 029810013	BJJ	
V	01/21/03	ISSUE FOR RELEASE 029810012 & 029810013	BJJ	
W	02/25/03	ISSUE FOR RELEASE 029810012 & 029810013	BJJ	
X	06/18/02	ISSUE FOR RELEASE 029810012 & 029810013	FAH	
Z	06/18/02	ISSUE FOR RELEASE 029810012 & 029810013	FAH	

UNCONTROLLED

METRIC

ISSUE FOR RELEASE 029810007