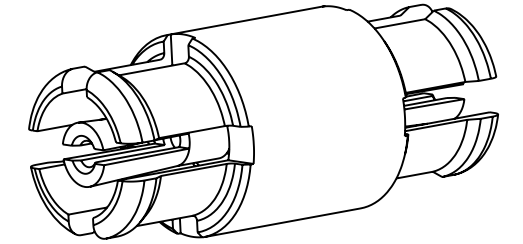


NOTES:

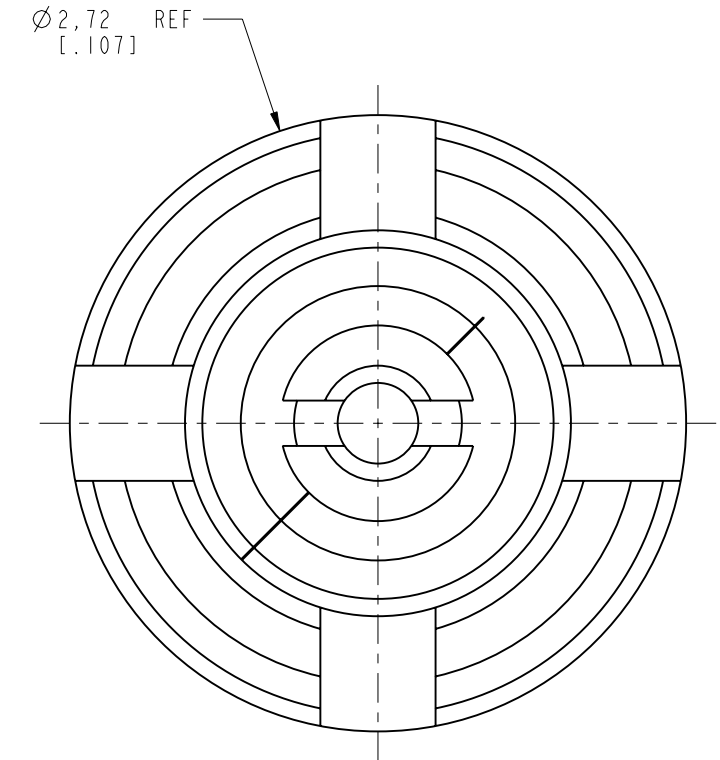
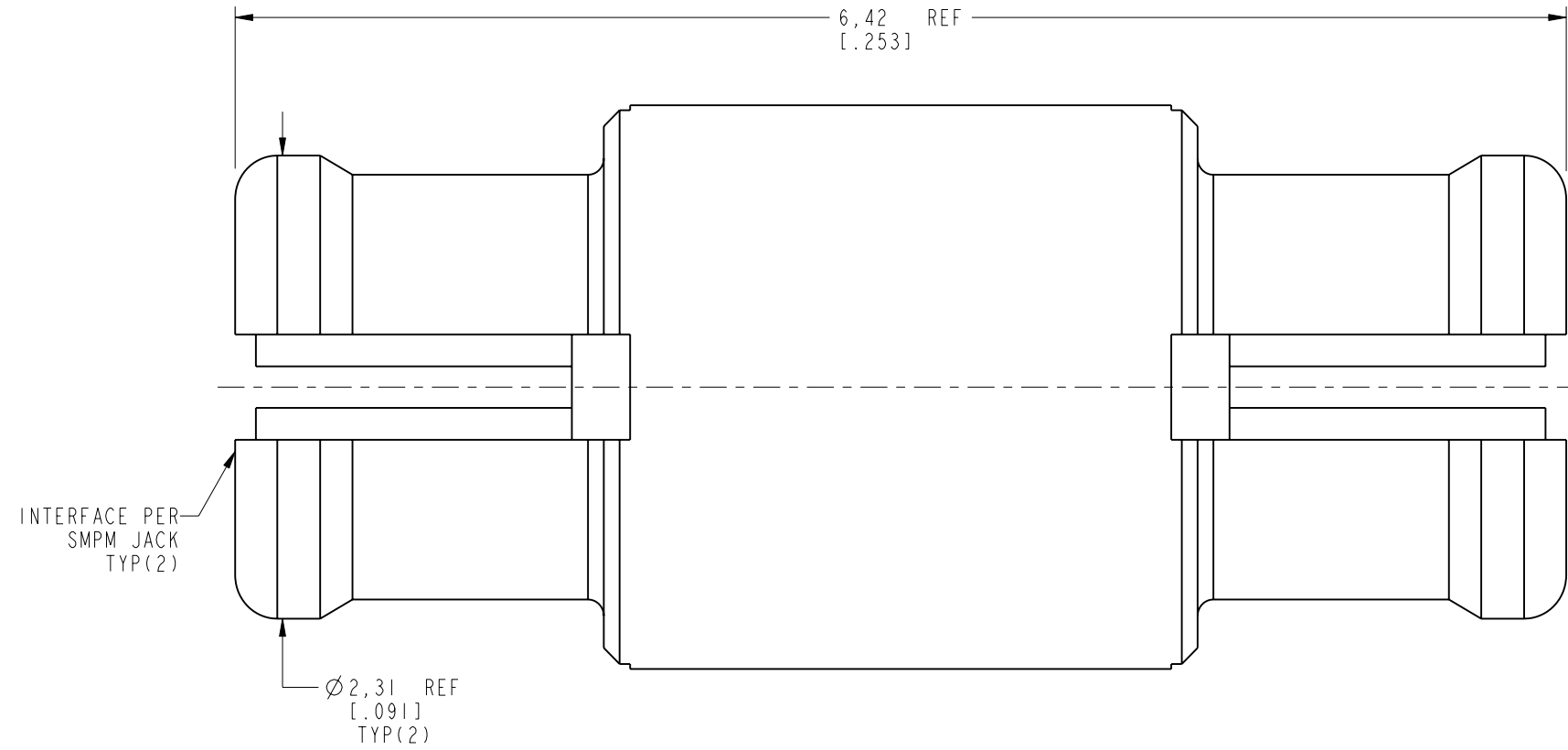
1. MATERIALS AND FINISHES:
 BODY & CONTACT - BeCu, GOLD PLATING
 INSULATOR - PTFE, NATURAL
2. ELECTRICAL:
 A. IMPEDANCE: 50 OHM
 B. FREQUENCY RANGE: DC - 40 GHz
 C. VSWR: 1.15:1 MAX @ DC - 10 GHz
 1.25:1 MAX @ 10 - 26.5 GHz
 1.35:1 MAX @ 26.5 - 40 GHz
 D. DIELECTRIC WITHSTANDING VOLTAGE: 500 VRMS, MIN.
3. MECHANICAL:
 A. DURABILITY: 100 MATING CYCLES MIN. WHEN MATED WITH FULL DETENT JACK
 500 MATING CYCLES MIN. WHEN MATED WITH SMOOTH BORE JACK
 B. TEMPERATURE RANGE: -65°C TO 165°C
4. ROHS DIRECTIVE (EU) 2015/863 COMPLIANT
5. PACKAGING:
 A. QUANTITY: SINGLE PACK
 B. MARKING: BAG TO BE MARKED
 AMPHENOL RF, 925-207A-51S AND DATE CODE

THIRD ANGLE PROJ.

REVISIONS				
REV	DESCRIPTION	DATE	ECN	APPR
A	RELEASE TO MFG.	25-Oct-19		JTS



SCALE 10.000



CUSTOMER OUTLINE DRAWING
 ALL OTHER SHEETS ARE FOR INTERNAL USE ONLY

UNLESS OTHERWISE SPECIFIED, DIMENSIONS ARE IN METRIC AND TOLERANCES ARE: <0.5mm ±0.05mm 0.5 - 6mm ±0.1mm 6 - 30mm ±0.2mm 30 - 120mm ±0.3mm ANGLES ±1°	MATERIAL	DRAWN	DATE	TITLE		Amphenol RF www.amphenolrf.com	
	SEE NOTES	STAR	25-Oct-19	SMPM STR BULLET JACK TO JACK ASSEMBLY			
NOTICE - These drawings, specifications, or other data (1) are, and remain the property of Amphenol corp. (2) must be returned upon request; and (3) are confidential and not to be disclosed to any person other than those to whom they are given by Amphenol Corp. the furnishing of these drawings, specifications, or other data by Amphenol Corp., or to any other person to anyone for any purpose is not to be regarded by implication or otherwise in any manner licensing, granting rights to permitting such holder or any other person to manufacture, use or sell any product, process or design, patented or otherwise, that may in any way be related to or disclosed by said drawings, specifications, or other data.	REFERENCE	ENGINEER	DATE	0.253" LONG		DRAWING NO. 925-207A-51S	
	EAR# 8589	STAR	29-Oct-19	SCALE: 30.0:1.0 SHEET 2 OF 2		ITEM NO. 925-207A-51S	
	REF: 925-194A-51S	APPROVED	S. HSIEH	DATE	DWG SIZE	REV	PART NO. 925-207A-51S
	CONFIGURATION LEVEL: In Work	FINISH		29-Oct-19	B	4	