



Directional 20 dB SMA Coupler From 1 GHz to 2 GHz Rated to 50 Watts

Couplers Technical Data Sheet

PE2CP1108

Features

- 1 to 2 GHz
- 50 Watts CW Max Power
- 20 dB Coupling Value
- Directional SMA Coupler
- Meets Standards for Humidity, Shock, Vibration, Altitude

Applications

- Communications Systems
- CDMA, GSM, LTE
- Amplifier Systems
- Amplifier Power Dividing
- Aviation/Aerospace
- Defense Applications
- Wireless Telecommunications

Description

The PE2CP1108 is an 20 dB RF coupler with 50 ohm SMA connectors operating from 1 to 2 GHz with a maximum input power of 50 Watts CW, and peak power handling of 3 kilowatt. The PE2CP1108 has a coupling factor of 1 dB, insertion loss of (excluding coupled power) and a maximum VSWR of 1.1:1. The coupler operates over a temperature range of -55° to 105° C and meets environmental standard for humidity, shock, vibration, and altitude. Couplers have many Applications and perform several functions within the RF/Microwave industry such as circuit feedback and signal sampling for measurement or monitoring.

Electrical Specifications

Description	Minimum	Typical	Maximum	Units
Frequency Range	1		2	GHz
Impedance		50		Ohms
Coupling	18.75	20	21.25	dB
Frequency Sensitivity			±0.75	dB
Insertion Loss			0.15	dB
Directivity	25			dB
Main Line VSWR			1.1:1	
Input Power (CW)			50	Watts
Input Power (Peak)			3	kWatts

Mechanical Specifications

Size

Length	1.78 in [45.21 mm]
Width/Dia.	0.38 in [9.65 mm]
Height	0.5 in [12.7 mm]

Finish	Gray
Housing Material and Plating	Aluminum

Click the following link (or enter part number in "SEARCH" on website) to obtain additional part information including price, inventory and certifications: [Directional 20 dB SMA Coupler From 1 GHz to 2 GHz Rated to 50 Watts PE2CP1108](#)



Directional 20 dB SMA Coupler From 1 GHz to 2 GHz Rated to 50 Watts

Couplers Technical Data Sheet

PE2CP1108

Configuration

Input Connector	SMA Female
Output Connector	SMA Female
Coupled Connectors	SMA Female

Environmental Specifications

Temperature

Operating Range	-55 to +105 deg C
Storage Range	-55 to +125 deg C

Humidity

100% RH at 35°C, 95% RH at 40°C

Shock

20G for 11msec half sine wave, 3 axis both directions

Vibration

25g RMS (15 degrees 2KHz) endurance, 1 hour per axis

Altitude

30,000 ft. (Epoxy Sealed Controlled environment)

Compliance Certifications (see [product page](#) for current document)

Plotted and Other Data

Notes:

Directional 20 dB SMA Coupler From 1 GHz to 2 GHz Rated to 50 Watts from Pasternack Enterprises has same day shipment for domestic and International orders. Our RF, microwave and millimeter wave products maintain a 99.4% availability and are part of the broadest selection in the industry.

Click the following link (or enter part number in "SEARCH" on website) to obtain additional part information including price, inventory and certifications: [Directional 20 dB SMA Coupler From 1 GHz to 2 GHz Rated to 50 Watts PE2CP1108](#)

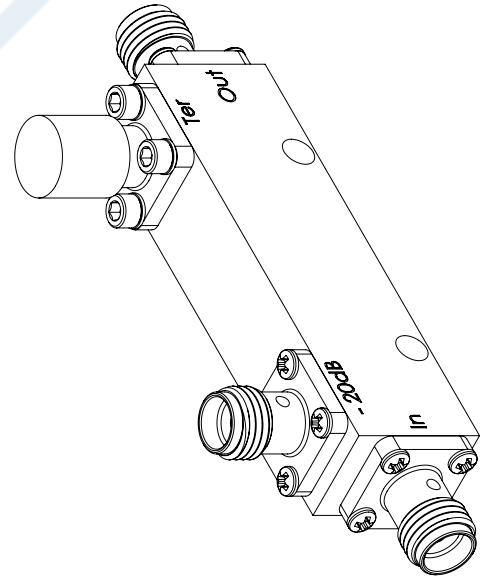
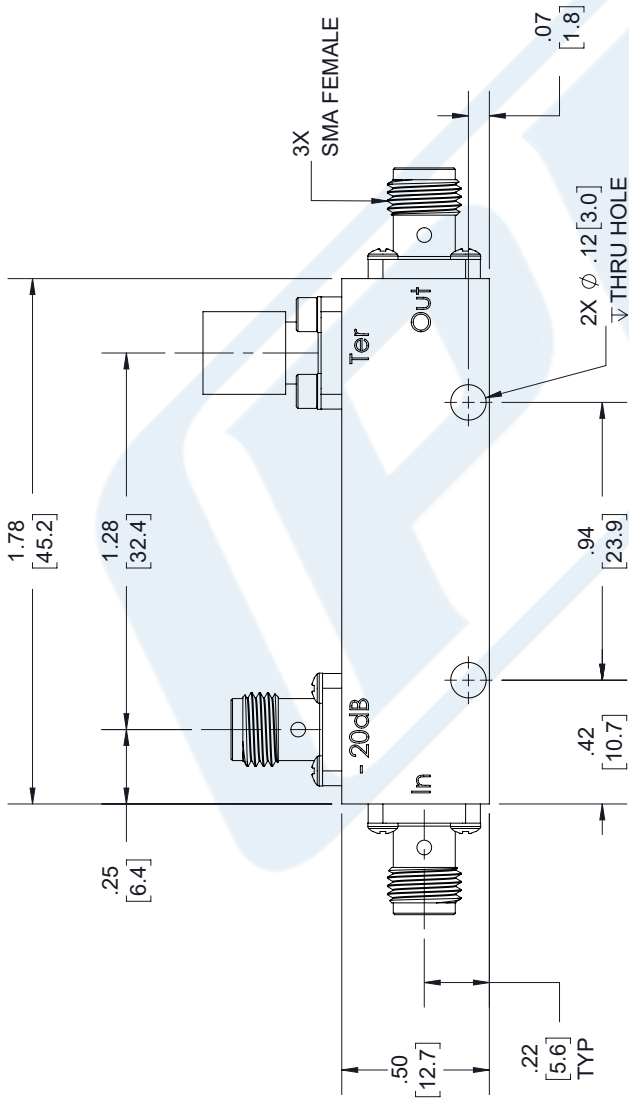
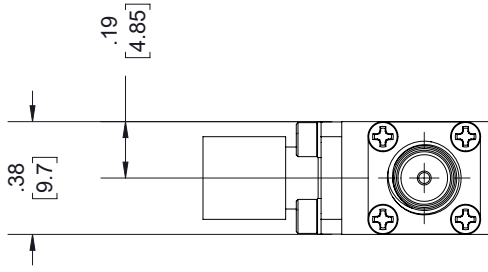
URL: <https://www.pasternack.com/directional-20-db-sma-coupler-2-ghz-pe2cp1108-p.aspx>

The information contained in this document is accurate to the best of our knowledge and representative of the part described herein. It may be necessary to make modifications to the part and/or the documentation of the part, in order to implement improvements. Pasternack reserves the right to make such changes as required. Unless otherwise stated, all specifications are nominal. Pasternack does not make any representation or warranty regarding the suitability of the part described herein for any particular purpose, and Pasternack does not assume any liability arising out of the use of any part or documentation.

PE2CP1108 CAD Drawing

Directional 20 dB SMA Coupler From 1 GHz to 2 GHz Rated to 50 Watts

REVISIONS			
REV.	DESCRIPTION	DATE	APPROVED
A	INITIAL RELEASE	4/8/2020	S. PONG



LABEL:

PASTERNAK
PE2CP1108
D/C: YYWW

UNLESS OTHERWISE SPECIFIED
LEADING DIMENSIONS ARE INCHES
DIMENSIONS IN [] ARE MILLIMETERS

TOLERANCES:
 .X = ±.2 [5.08] FRACTIONS ±.1/32
 .XX = ±.02 [.51] ANGLES ± 1°
 .XXX = ±.005 [.13]
 CABLE LENGTH (L) TOLERANCES:
 L ≤ 12 [305] = +1 [25] / -0
 12 [305] < L ≤ 60 [1524] = +2 [51] / -0
 60 [1524] < L ≤ 120 [3048] = +4 [102] / -0
 120 [3048] < L ≤ 300 [7620] = +6 [152] / -0
 300 [7620] < L = +5%L / -0
 ALL DIMENSIONS SHOWN
 ARE FOR REFERENCE ONLY.



THE INFORMATION AND
DESIGN IN THIS DOCUMENT
IS THE PROPERTY OF
PASTERNAK CORPORATION
ALL RIGHTS RESERVED.

SHEET 1 OF 1
SCALE N/A



Pasternack Enterprises, Inc.
P. O. Box 16759, Irvine, CA 92623.
Phone: 1.949.261.1920 | 1.866.727.8376
Fax: 1.949.261.7451
Website: www.pasternack.com
E-mail: sales@pasternack.com

SIZE A CAGE CODE 53919 DRAWN BY K.Dang ITEM NO. PE2CP1108 REV A