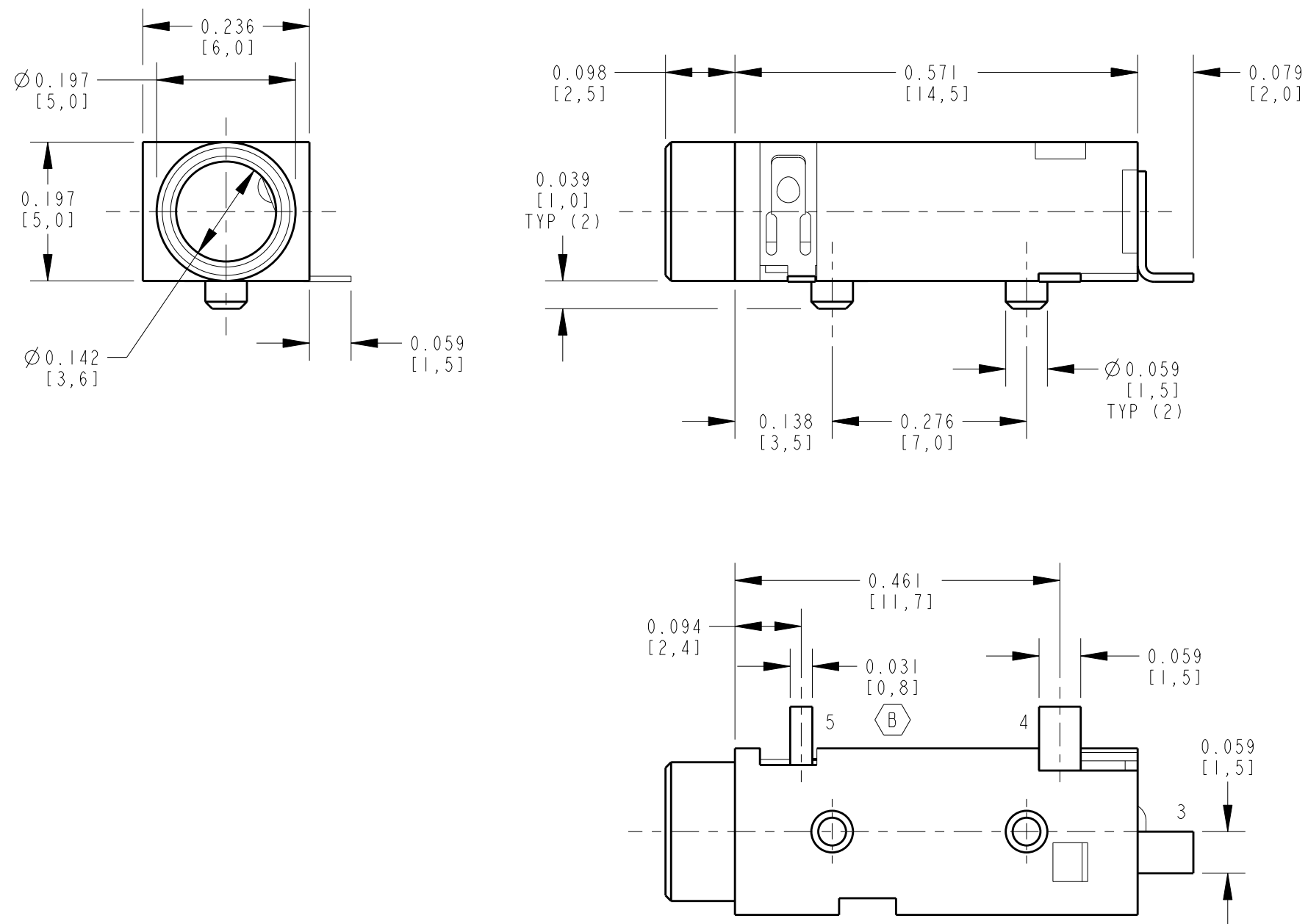
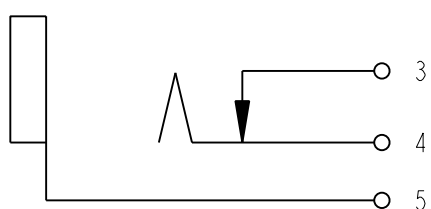
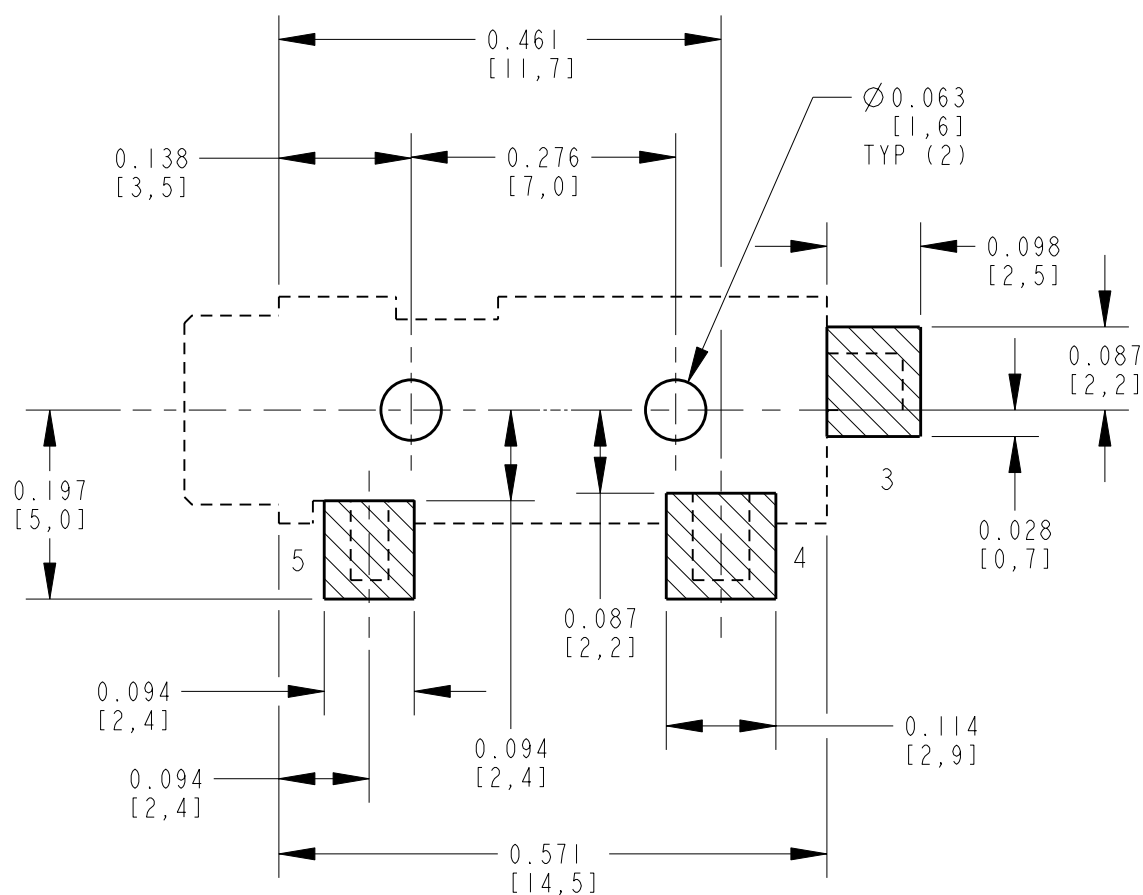


NOTES:

1. ALL DIMENSIONS ARE REFERENCE.
2. MATERIALS:
HOUSING: THERMOPLASTIC, BLACK
TERMINALS: COPPER ALLOY, GOLD PLATED
3. SUPPLIED ON TAPE AND REEL, SEE SHEET 2.
4. THIS PRODUCT IS RoHS COMPLIANT.



CUSTOMER DRAWING

REV	ECO NUMBER	DATE	BY	APVD
D	27337	7-30-14	TO	TJK
C	26972	6-20-12	TO	TJK
B	26514	3-25-10	RS	TJK
A	25182	1-13-06	JL	GG
REVISIONS				

★ STAR SYMBOL DENOTES CRITICAL DIMENSION

UNLESS OTHERWISE SPECIFIED

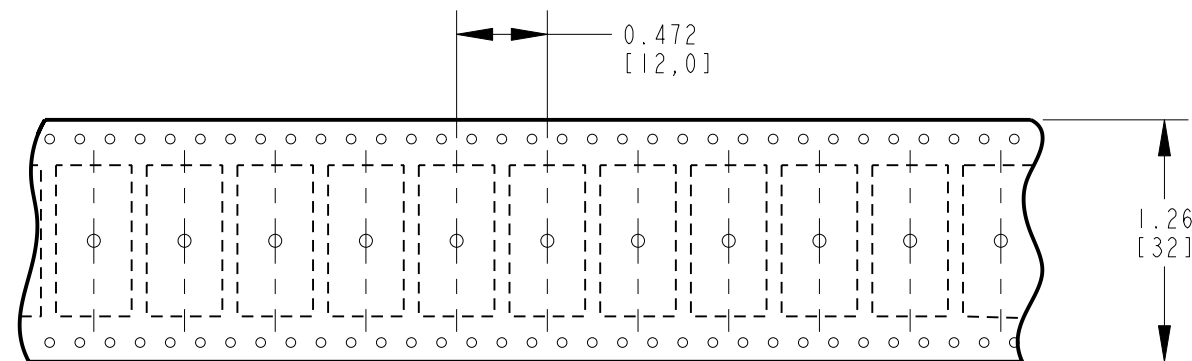
1. ALL DIMENSIONS IN INCHES
- TWO PLACE DECIMALS ±0.01
- THREE PLACE DECIMALS ±0.005
- ANGLES ±1°
- ALL DIA. CONCENTRIC WITHIN 0.005 T.I.R.
2. FEATURES ON THE SAME CENTERLINE MUST BE ALIGNED WITHIN ±0.002
3. REMOVE ALL BURRS

DO NOT SCALE DRAWING

THIS DRAWING DESCRIBES A DESIGN CONSIDERED PROPRIETARY IN NATURE, DEVELOPED AND MANUFACTURED BY SWITCHCRAFT INC. AND IS RELEASED ON A CONFIDENTIAL BASIS FOR IDENTIFICATION PURPOSES ONLY.				
SIZE	WIDTH	MULT	LBS/M	TEMPER
FINISH		MATERIAL		
SPEC No.		SPEC No.		
FIRST USED ON		SCALE		
		NONE		
DATE DRAWN	BY	CHKD	APVD	
13-Jan-06	JL	GG	GG	
		1-13-06	1-13-06	
NAME			PART No.	REV
3.5MM PHONE JACK SURFACE MOUNT, RoHS			35RASMT2AHNTRX	D
SHEET 1 OF 2				

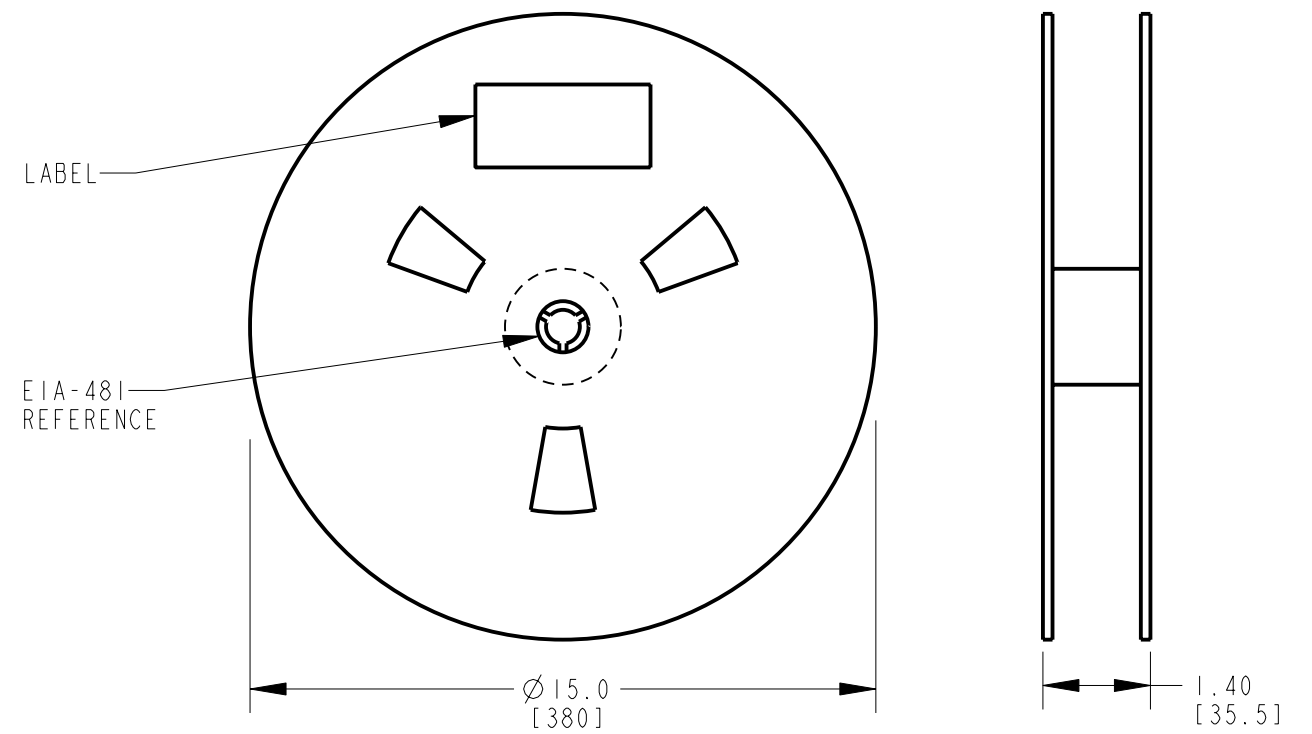
A: CARRIER SIZE

1. DETAIL SIZES REFERENCE: EIA-481
2. SPECIFICATION: 32 MM X 12 MM
3. COVER TAPE: SPECIFICATION ATTACHED (CONDUCTIVE)



B: REEL SIZE

1. QUANTITY: 1000 PCS/REEL BCD
2. MATERIAL: THERMOPLASTIC



CUSTOMER DRAWING

SCALE NONE	Switchcraft [®]	
DATE DRAWN 13-Jan-06		
DRAWN BY JL	PART No. 35RASMT2AHNTRX	REV D