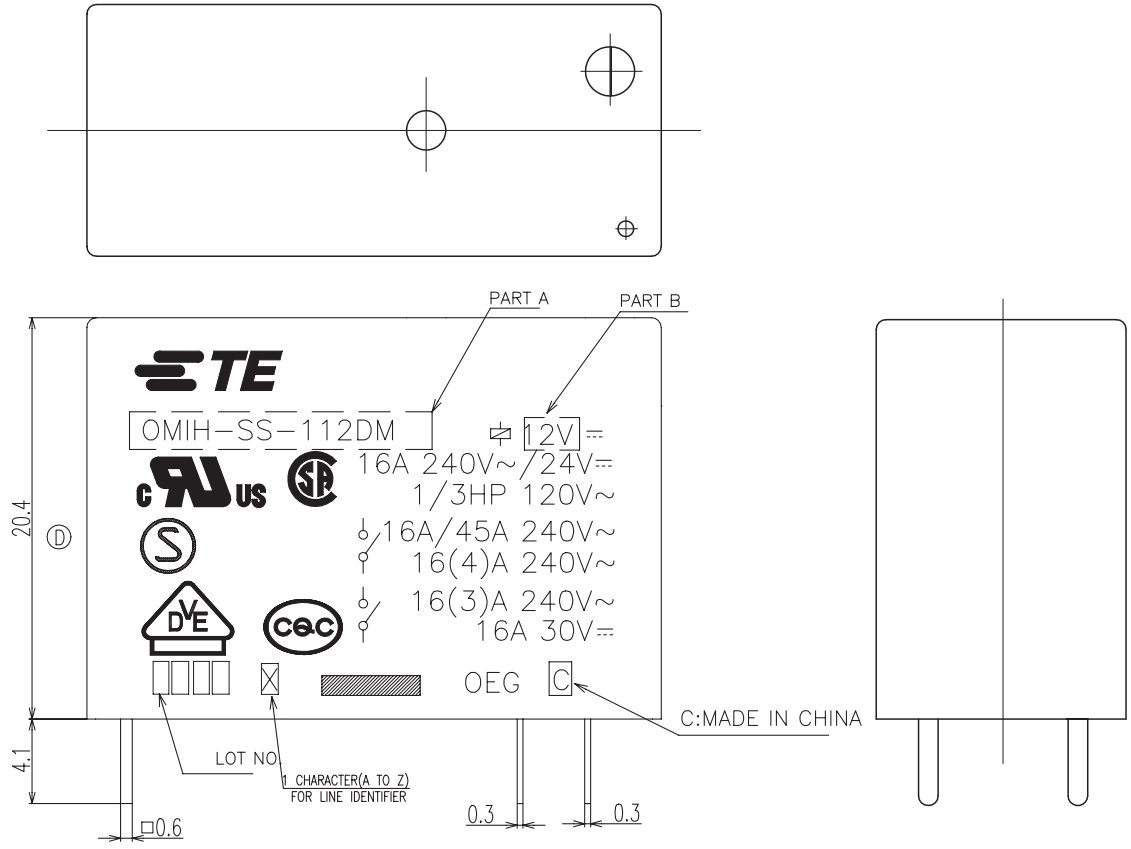


THIS DRAWING IS UNPUBLISHED. RELEASED FOR PUBLICATION  
 © COPYRIGHT - By - ALL RIGHTS RESERVED.

REVISIONS					
P	LTR	DESCRIPTION	ECN	DATE	APVD
D		CHANGE BASE MATERIAL TO PBT, DIMENSION CHANGE	ECN-21-107984	28-JUN-21	XR,L T.K

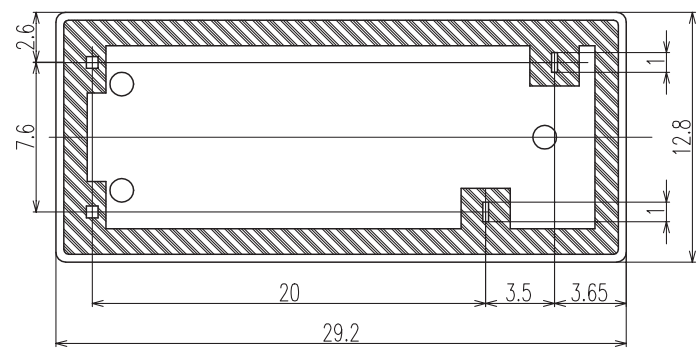
D  
C  
B  
A

D  
C  
B  
A



1-1721685-4	OMIH-SS-112LM, 0005M	OMIH-SS-112LM	12V	107-84039	l
1-1721685-3	OMIH-SS-112LM, 0002M	OMIH-SS-112LM	12V	107-84028	k
1-1721685-0	OMIH-SS-112LM, 0000M	OMIH-SS-112LM	12V	107-84032	j
1-1721685-2	OMIH-SS-112LM,01020	OMIH-SS-112LM	12V	107-84028	i
1721685-7	OMIH-SS-112LM,00001	OMIH-SS-112LM	12V	107-79006	h
9-1419121-1	OMIH-SS-148LM	OMIH-SS-148LM	48V	107-79006	k
8-1419121-9	OMIH-SS-148DM	OMIH-SS-148DM	48V	107-79006	j
8-1419121-8	OMIH-SS-124LM	OMIH-SS-124LM	24V	107-79006	i
8-1419121-6	OMIH-SS-124DM	OMIH-SS-124DM	24V	107-79006	h
8-1419121-4	OMIH-SS-118DM	OMIH-SS-118DM	18V	107-79006	g
8-1419121-1	OMIH-SS-112LM	OMIH-SS-112LM	12V	107-79006	f
7-1419121-9	OMIH-SS-112DM	OMIH-SS-112DM	12V	107-79006	e
7-1419121-6	OMIH-SS-109LM	OMIH-SS-109LM	9V	107-79006	d
2-1419145-0	OMIH-SS-109DM	OMIH-SS-109DM	9V	107-79006	c
7-1419121-4	OMIH-SS-106LM	OMIH-SS-106LM	6V	107-79006	b
7-1419121-3	OMIH-SS-105LM	OMIH-SS-105LM	5V	107-79006	a
TE PART NO	DESCRIPTION	PART A	PART B	PACK. SPEC.	No.

RELAY TYPE



THIS DRAWING IS A CONTROLLED DOCUMENT.		DWN Davey Liu 25JUL2010	TE Connectivity OMIH CUSTOMER DRAWING				
DIMENSIONS: mm		CHK Banghua Yu 26JUL2010				NAME	RESTRICTED TO
TOLERANCES UNLESS OTHERWISE SPECIFIED:		APVD Sunny Zhang 27JUL2010				SIZE	CAGE CODE
0 PLC ±- 1 PLC ±- 2 PLC ±- 3 PLC ±- 4 PLC ±- ANGLES ±- FINISH		PRODUCT SPEC				DRAWING NO	RESTRICTED TO
MATERIAL		APPLICATION SPEC	WEIGHT	SCALE	SHEET		
			A3	00779	1 of 2		
			C=7-1419121-9		REV D		
			CUSTOMER DRAWING				

4

3

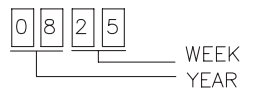
2

1

THIS DRAWING IS UNPUBLISHED. RELEASED FOR PUBLICATION  
 © COPYRIGHT - By - ALL RIGHTS RESERVED.

REVISIONS					
P	LTR	DESCRIPTION	ECO	DATE	APVD
-	-	SEE SHEET 1	-	-	-

NOTES:  
 1.LOT NO. SYSTEM AS FOLLOWING:

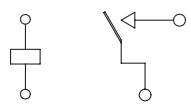


2.GENERAL TOLERANCE AS FOLLOWING:

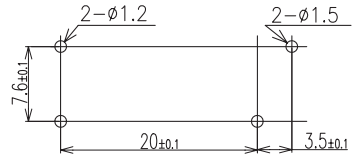
TOLERANCE	
0~0.99mm	±0.1
1mm~2.99mm	±0.2
3mm MIN.	±0.3

3.TERMINAL DIMENSION IS NOT INCLUDING SOLDER TIP.

CONNECTION DIAGRAM  
 (BOTTOM VIEW)



DRILLING DIAGRAM(2/1)  
 (BOTTOM VIEW)



		UV RESIN	UV SEAL	16
		EPOXY RESIN	SEAL	15
UL94 V-0		PBT/PA66	CASE	14
CLASS E		UEW	MAGNETIC WIRE	13
UL94 V-0		PBT (D)	BASE	12
UL94 V-0		PBT	BOBBIN	11
	SOLDER DIP	CP WIRE	COIL TERMINAL	10
UL94 V-0		PPS	CARD	9
		Ag ALLOY	MOVABLE CONTACT	8
		Ag ALLOY	STATIONARY CONTACT	7
		Cu ALLOY	HINGE SPRING	6
	SOLDER DIP	Cu ALLOY	STATIONARY TERMINAL	5
	SOLDER DIP	Cu ALLOY	MOVABLE SPRING	4
		STEEL	CORE	3
		STEEL	ARMATURE	2
		STEEL	YOKE	1
INCOMBUSTIBILITY	TREATMENT	MATERIAL	DESCRIPTION	ITEM

THIS DRAWING IS A CONTROLLED DOCUMENT.		DWN Davey Liu 25JUL2010	TE Connectivity OMH CUSTOMER DRAWING		
DIMENSIONS: mm		CHK Banghua Yu 26JUL2010			
TOLERANCES UNLESS OTHERWISE SPECIFIED:		APVD Sunny Zhang 27JUL2010	NAME		
0 PLC ±- 1 PLC ±- 2 PLC ±- 3 PLC ±- 4 PLC ±- ANGLES ±- FINISH		PRODUCT SPEC	RESTRICTED TO		
MATERIAL		APPLICATION SPEC	SIZE A3	CAGE CODE 00779	DRAWING NO C=7-1419121-9
		WEIGHT	SCALE 1:1		SHEET 2 of 2
		CUSTOMER DRAWING		REV D	