

## R-Series - UL1077 Supplementary Protector - 3 pole B-Trip

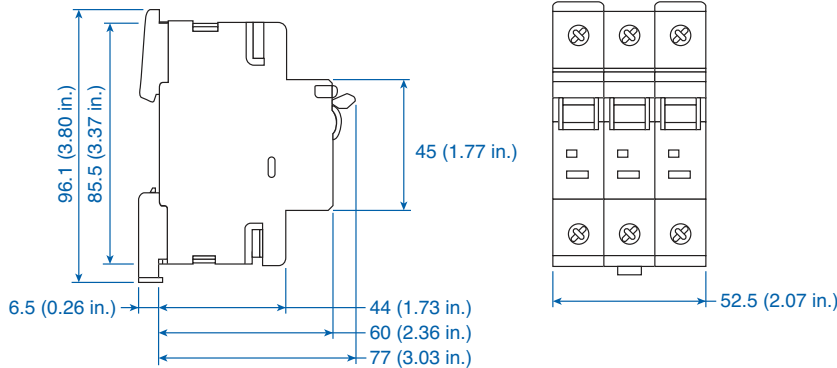


### Three Pole

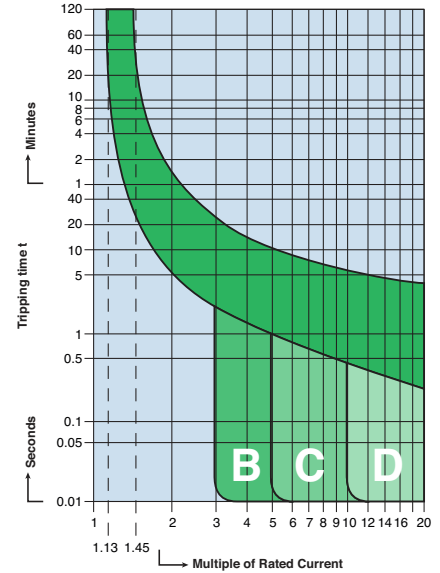
Standard Pack: 12

Weight:  
0.5A - 63A: 1.6kg (3.54 lb.)

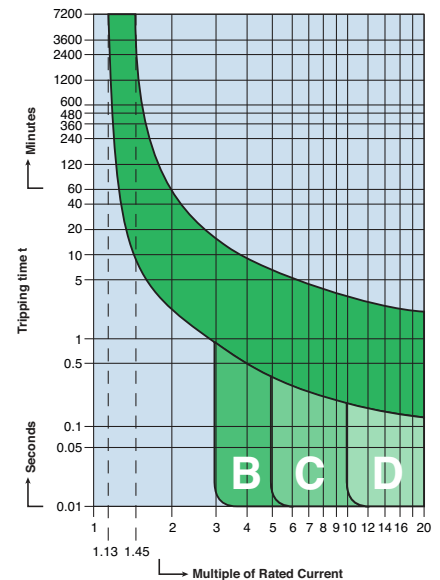
| Rated Current | Type/<br>Cat. No. |
|---------------|-------------------|
| 0.5A          | 3BU05R            |
| 1.0A          | 3BU1R             |
| 2.0A          | 3BU2R             |
| 3.0A          | 3BU3R             |
| 4.0A          | 3BU4R             |
| 5.0A          | 3BU5R             |
| 6.0A          | 3BU6R             |
| 8.0A          | 3BU8R             |
| 10A           | 3BU10R            |
| 12A           | 3BU12R            |
| 13A           | 3BU13R            |
| 15A           | 3BU15R            |
| 16A           | 3BU16R            |
| 20A           | 3BU20R            |
| 25A           | 3BU25R            |
| 30A           | 3BU30R            |
| 32A           | 3BU32R            |
| 40A           | 3BU40R            |
| 50A           | 3BU50R            |
| 60A           | 3BU60R            |
| 63A           | 3BU63R            |



B, C and D Trip, Less than 10A



B, C and D Trip, 10A and higher



|  |  |
|--|--|
| <b>Voltage Rating</b>                                | 480Y/277VAC  |
| <b>Short Circuit Withstand Rating (UL - Ratings)</b> | 0.5-6A (RC): 10kA with no back-up fuse<br>8-63A (RC): 10kA with UL-listed Class J back-up fuse; 5kA with no back-up fuse |
| <b>Interrupting Capacity (IEC/EN60898/60947-2)</b>   | 0.5-63A (RC): 10kA   |
| <b>Calibration Temperature</b>                       | 30°C (86°F)  |
| <b>Operating Temperature</b>                         | -25° to 60°C (-13° to 140°F)   |
| <b>Storage Temperature</b>                           | -25° to 75°C (-13° to 167°F)   |
| <b>Terminal Size Acceptability:</b>                  |  |
| <b>Solid Wire</b>                                    | 18 AWG -10 AWG   |
| <b>Stranded Wire</b>                                 | 18 AWG -3 AWG (Line/Load reversible)   |
| <b>Terminal Torque</b>                               | 2.8 Nm (25 lb-in.)   |
| <b>Terminal Protection Degree</b>                    | IP20   |
| <b>Vibration Resistance</b>                          | 3g (18-50Hz)   |

### SHORT CIRCUIT WITHSTAND RATINGS FOR R-SERIES SUPPLEMENTARY PROTECTOR

| Trip Curve | Amp Range | Backup Protection                 |                                |
|------------|-----------|-----------------------------------|--------------------------------|
|            |           | UL-Listed Class J Fuse up to 10kA | No Backup Fuse Required up to: |
| All        | 0.5 - 6A  | 4xRC*                             | 10kA                           |
| All        | 8 - 63A   | 4xRC*                             | 5kA                            |

\*up to nearest rated current