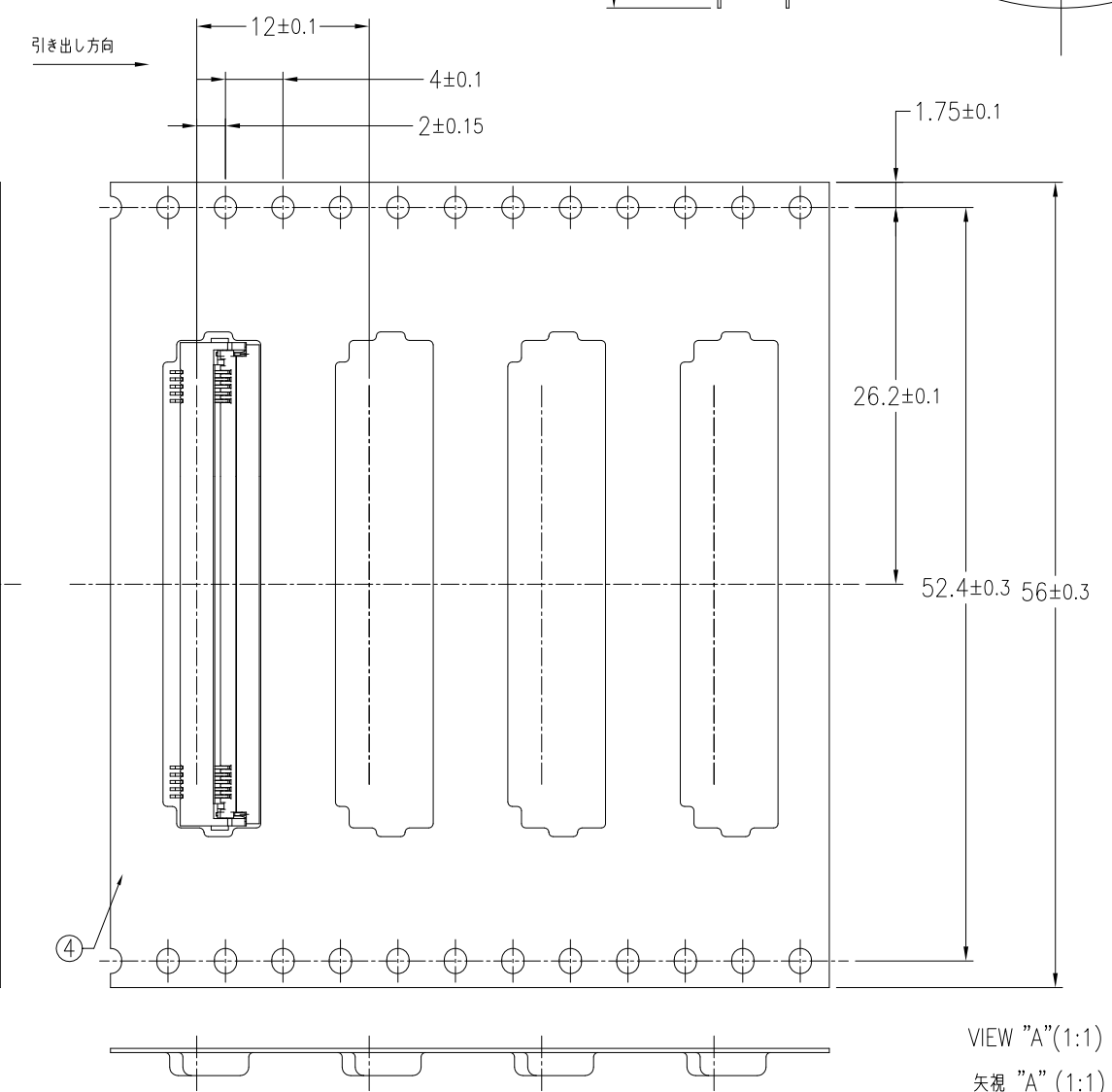
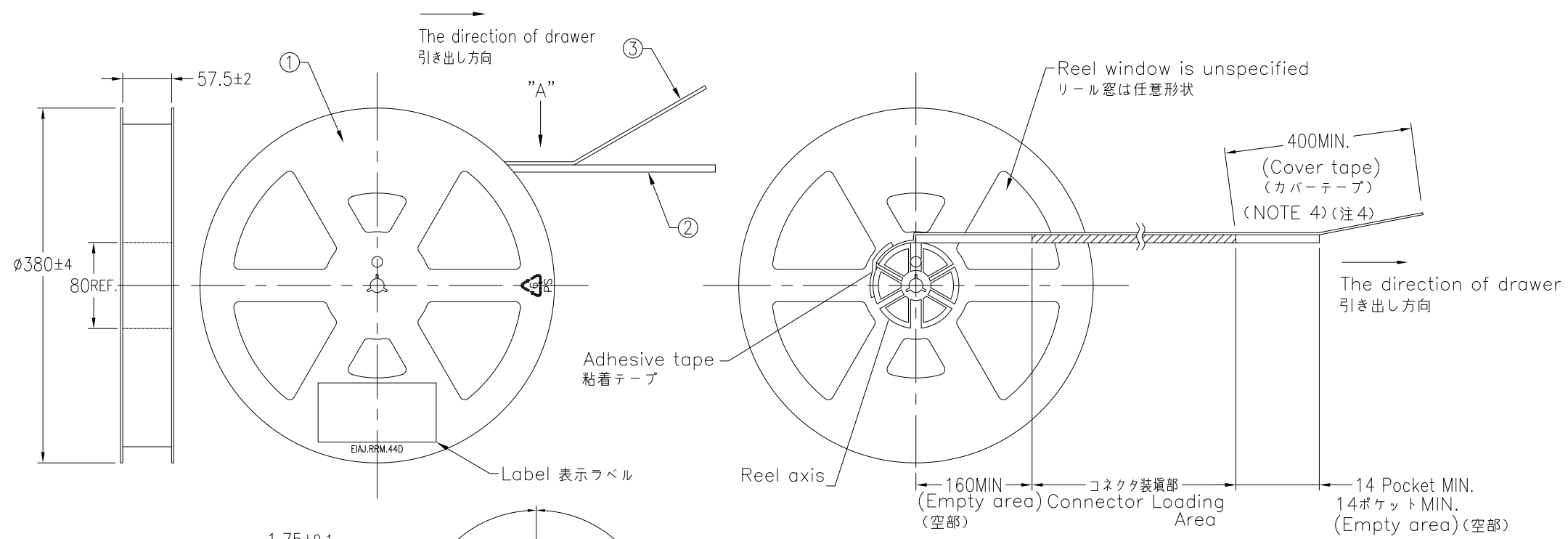


PRODUCT NO.	SPEC No.
10081215-**15ELF	PRODUCT: GS-12-493 PACKAGING: GS-14-1205
10081215-***15EHLF	APPRICATION: GS-20-102



<P/N composition> <P/N 構成>

△10081215-** 1 1 5 E H LF

- Lead Free
- H: Halogen free material
- Packaging form (E : Plastic reel·Embossing tape package)
- Embossing tape package 5: 12mm PITCH
- Plating spec / Contact style 1: Au plating / Single contact point
- Blank: Without cable lock
- 1: With cable lock
- No of position
- Series name

PARTS TABLE 部品表

No.	Part name 部品名	Part No. 型番	Material 材質	QTY.	Note 備考
①	The reel for packaging 梱包用リール	340551-56E	Polystyrene ポリスチレン	1	Color / Window of the reel: Arbitrarily shaped 色 / リール窓: 任意 Electrification prevention processing 帯電防止処理品
②	Emboss tape エンボステープ	10081220-__	PET	1	Electrification prevention processing 帯電防止処理品
③	Cover tape カバーテープ	KEC ____	Polyester ポリエステル	1	
④	Connector コネクタ	10081215-_____	See sheet 2	3000	

mat'l. code ---		surface ISO 1302 ✓		tolerance ISO 406 ISO 1101		projection MM		product family 599F FLEX 0.5		CODE JP	
ltr description		ecn no		dr		date		title		ASSEMBLY	
A RELEASED		J07-0469		Y.K		2007-9-19		0.5mm PITCH CONNECTOR FOR FPC		VHC Series	
B Change of product family		J07-0514		Y.K		2007-10-16		dwg no		sheet 1 of 5 size	
C Add Halogen Free P/N		J08-0486		Y.K		2008-12-12		10081215		A3	
D Add New P/N -60115EHLF		ECNJ-20766		Y.K		2015-04-28		type		Product Customer Drawing	
E REVISED		ECNJ-21520		Y.K		2015-07-27		Rev.		E	
sheet index		revision sheet		E		E		E		E	
		1 2		3 4		5					

NOTE

- This article carries out the emboss tape package of the P/N10081215 series connector.
- The shape and dimension of this article are based on JIS C 0806.
(Taping of electronic parts (Surface mounted device))
- The color and window of a plastic reel are optional.

注記

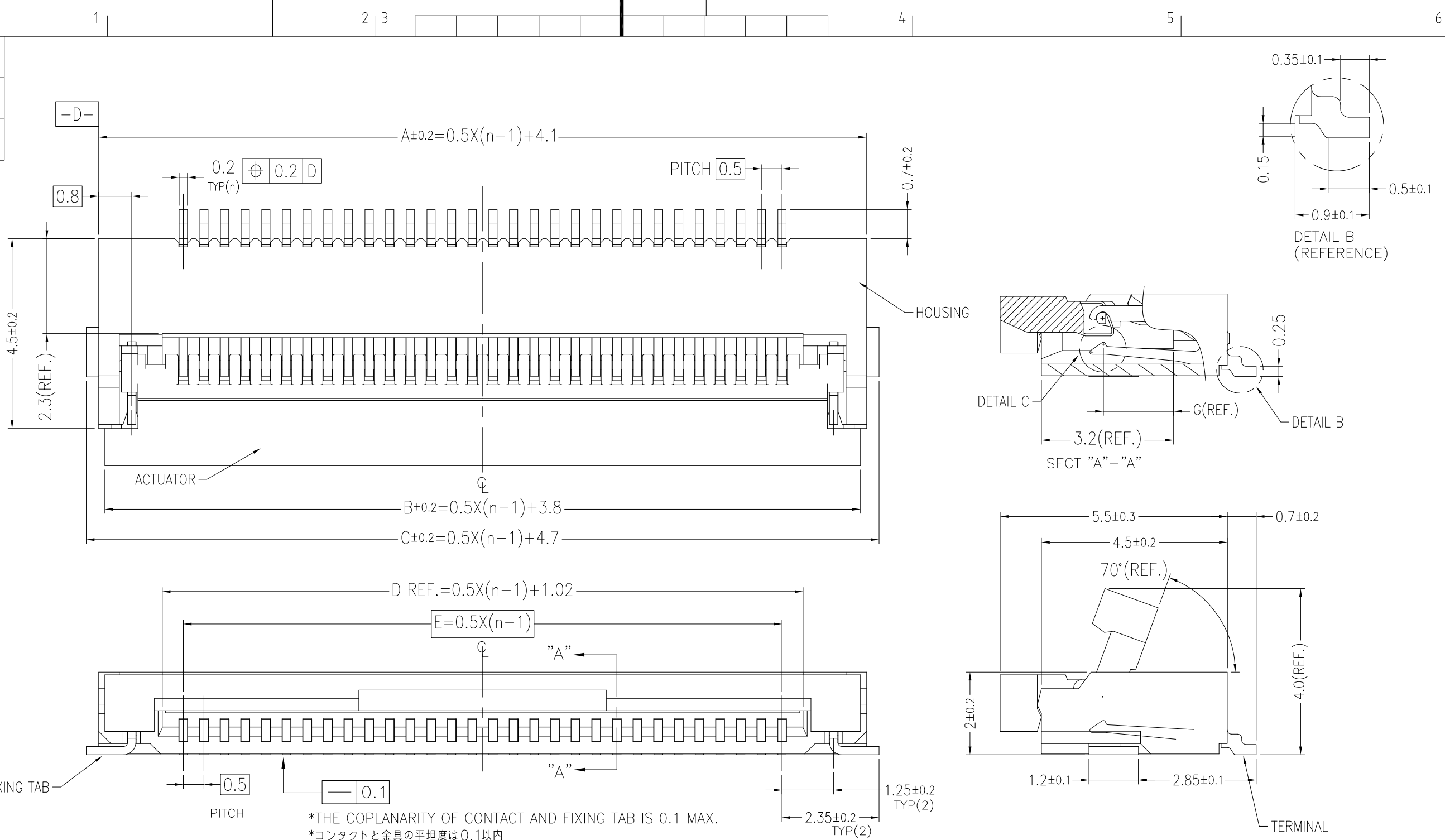
- 本品は P/N10081215シリーズをエンボステープ梱包したものである。
- 本品の形状及び寸法規定は JIS C 0806 (電子部品のテーピング (表面実装部品)) に準拠する。
- 本品の色及びリール窓は任意とする。

Copyright FCJ
FCIconnect.com

PRODUCT NO.

10081215-***1LF

10081215-***1HLF



NOTE

1.MATERIAL
 1)HOUSING:THERMOPLASTIC RESIN,UL94V-0, NATURAL
 2)ACTUATOR:THERMOPLASTIC RESIN,UL94V-0, P/N10081215-***1LF IS BROWN, P/N10081215-***1HLF IS BLACK
 3)CONTACT:COPPER ALLOY (t=0.20)
 4)FIXING TAB: COPPER ALLOY (t=0.20)

2.FINISH
 1)CONTACT: ALL OVER Ni,Au FLASH.
 2)FIXING TAB: ALL OVER Ni , Sn PLATING 1.5~3.5μm
 3.CO-PLANARITY: 0.1 MAX.

5.RoHS
 THIS PRODUCT MEETS EUROPEAN UNION DIRECTIVES AND OTHER COUNTRY REGULATIONSAS DESCRIBED IN GS-22-008

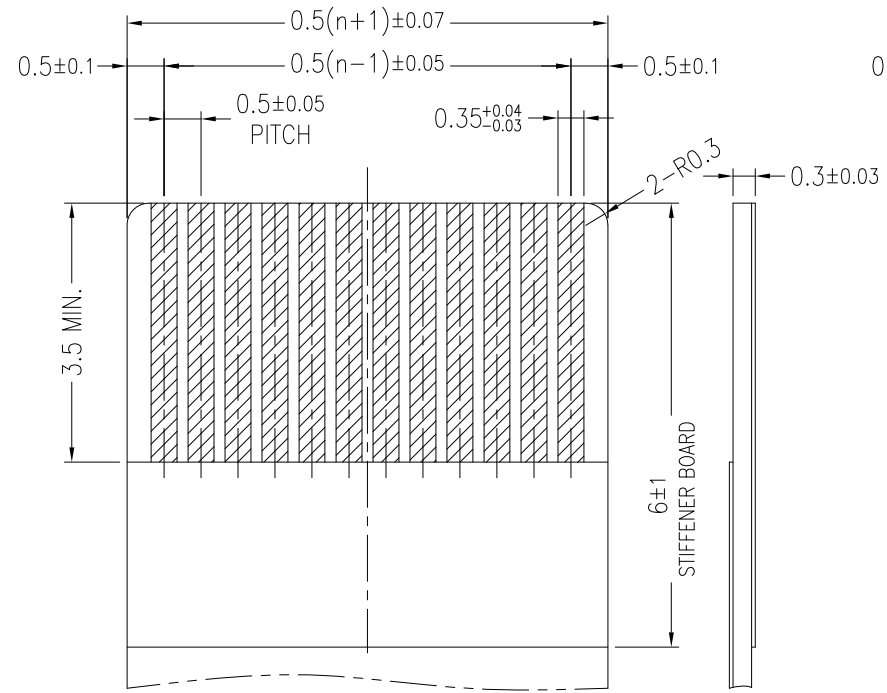
6.SPECIFICATIONS
 PRODUCT SPECIFICATIONS : GS-12-493 for P/N10081215-***1*LF
 APPLICATION SPECIFICATIONS : GS-20-102 for P/N10081215-***1*LF
 PACKAGING SPECIFICATIONS : GS-14-1205 for P/N10081215-***1*LF

10081215-601*LF	33.6	33.3	34.2	30.52	29.5	35.3
P/N	A	B	C	D	E	F

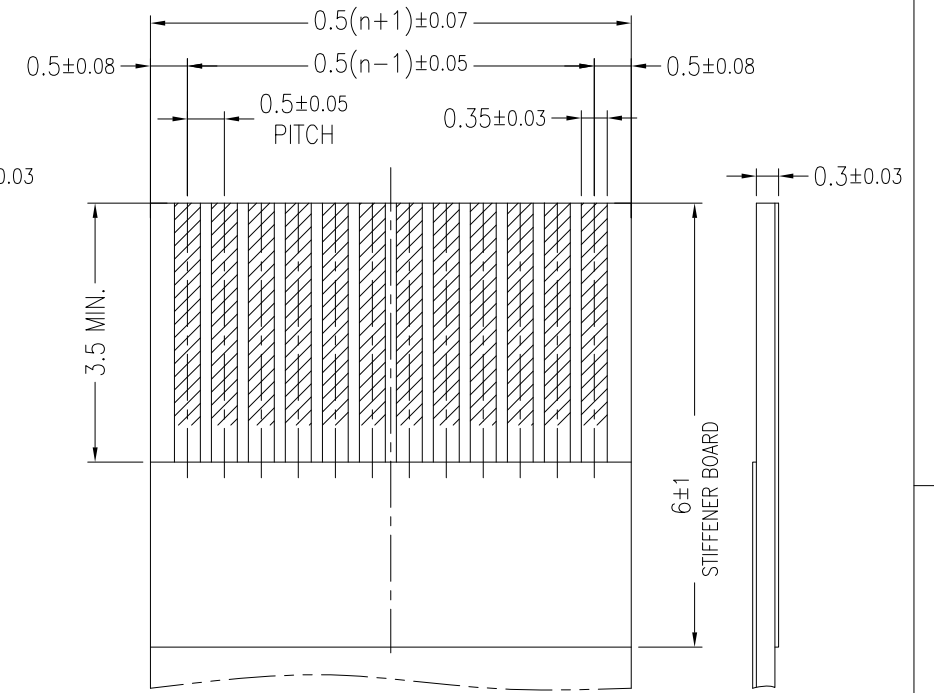
mat'l. code		surface		tolerance		projection		product family		CODE	
---		ISO 1302		ISO 406		MM		599F FLEX 0.5		JP	
ltr		description		ecn no		dr		date		tolerances unless otherwise specified	
A	RELEASED	J07-0469	Y.K	2007-9-19	angles	linear	0.X	±0.2	title		
B	Change of product family	J07-0514	Y.K	2007-10-16	0°±2°		0.XX	±0.2	ASSEMBLY		
C	Add Halogen Free P/N	J08-0486	Y.K	2008-12-12			0.XXX	±0.2	0.5mm PITCH CONNECTOR FOR FPC VHC Series		
D	Add New Sheet#4,5	ECNJ-20766	Y.K	2015-04-28	dr	Y.KAMEDA	2015-07-27	scale 10:1		dwg no	
E	Only rev. up	ECNJ-21520	Y.K	2015-07-27	enr	Y.KAMEDA	2015-07-27	FCJ		sheet 2 of 5 size	
					chr	M.MINATO	2015-07-27			10081215	
					appd	N.SASAME	2015-07-27			A3	
sheet index		revision sheet								type	
										Product Customer Drawing	
										Rev. E	

PRODUCT NO.

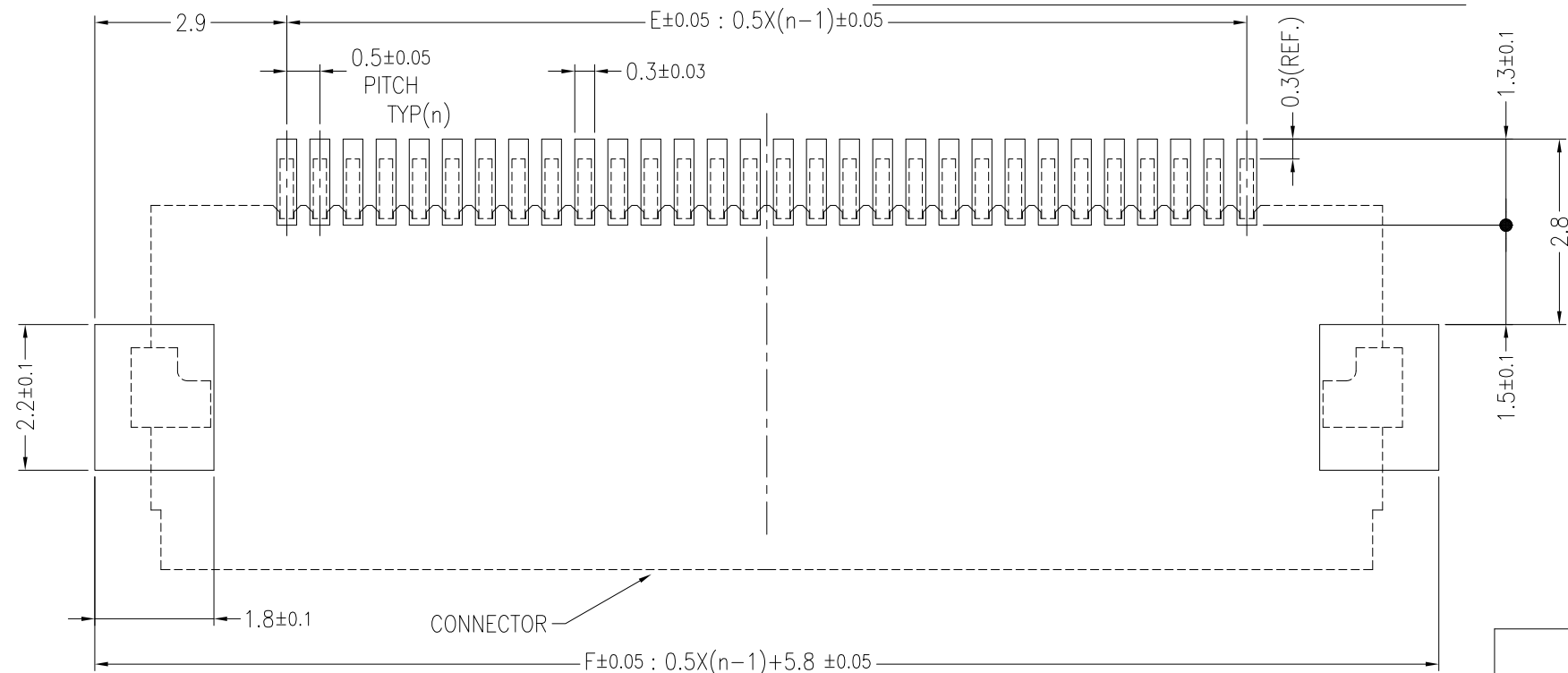
10081215-**1*LF



RECOMMENDED FPC CONFIGURATION



RECOMMENDED FFC CONFIGURATION



RECOMMENDED PC BOARD LAYOUT

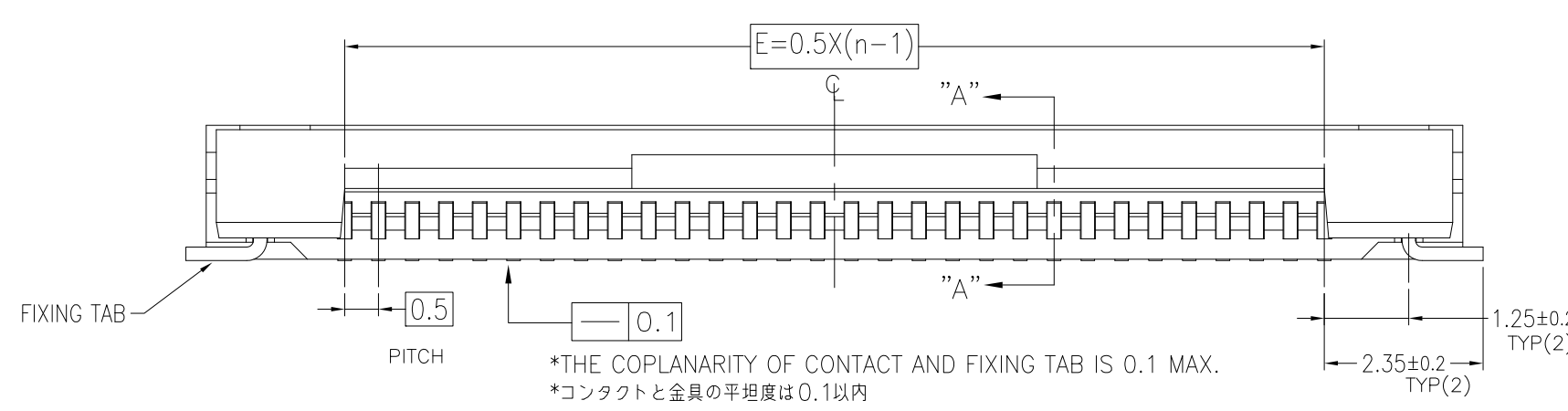
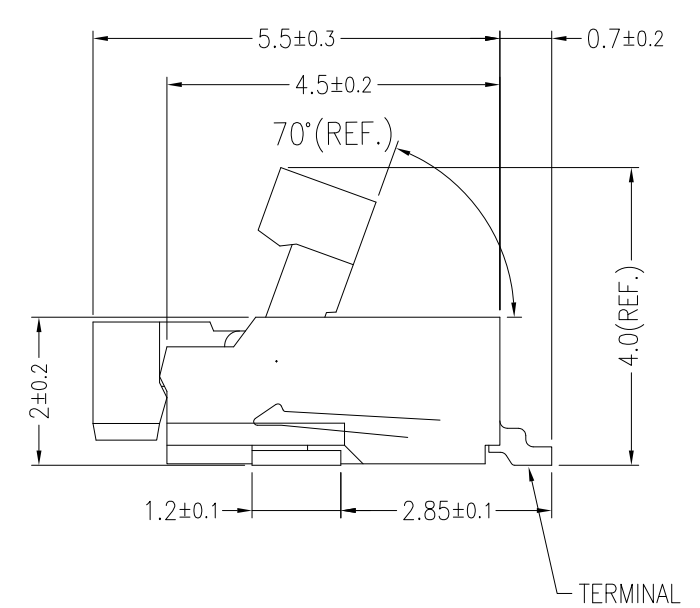
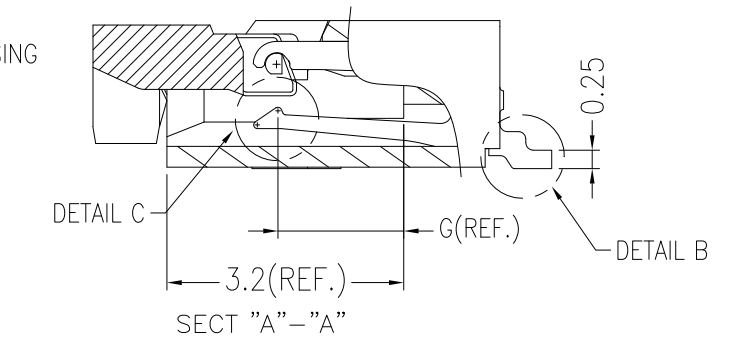
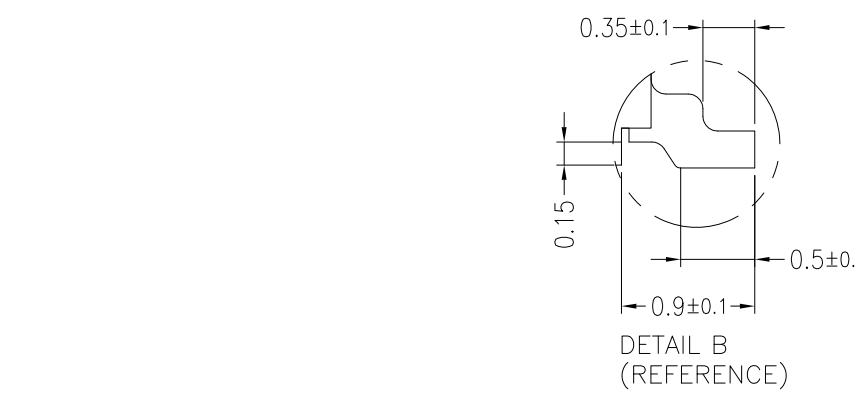
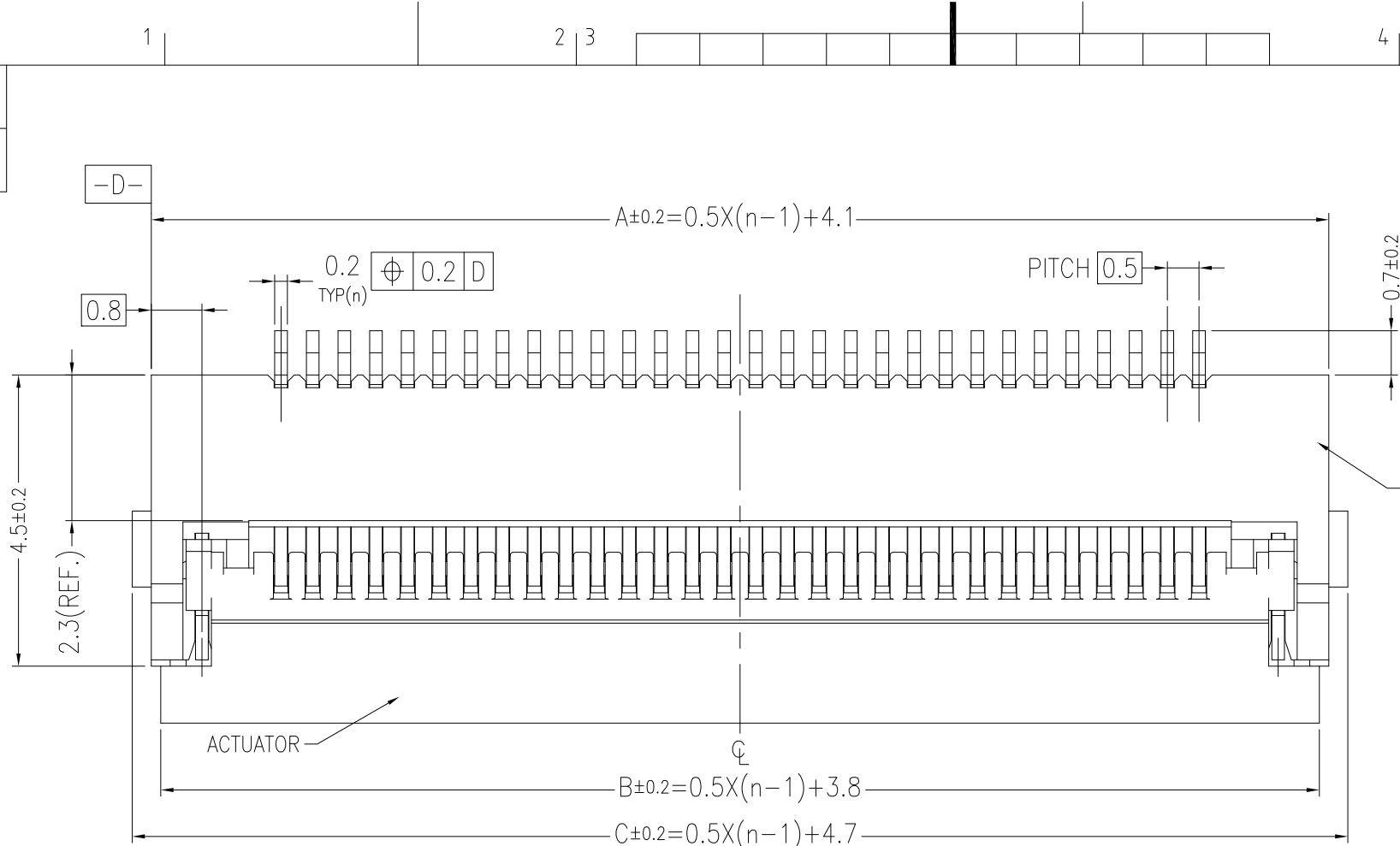
10081215-601*LF	33.6	33.3	34.2	30.52	29.5	35.3
P/N	A	B	C	D	E	F

mat'l. code		surface		tolerance		projection		product family		CODE	
---		ISO 1302		ISO 406		MM		599F FLEX 0.5		JP	
ltr		description		ecn no		dr		date		title	
A		RELEASED		J07-0469		Y.K		2007-9-19		ASSEMBLY	
B		Change of product family		J07-0514		Y.K		2007-10-16		0.5mm PITCH CONNECTOR FOR FPC	
C		Add Halogen Free P/N		J08-0486		Y.K		2008-12-12		VHC Series	
D		Add New Sheet#4,5		ECNJ-20766		Y.K		2015-04-28		dwg no	
E		Only rev. up		ECNJ-21520		Y.K		2015-07-27		sheet 3 of 5	
										size	
										A3	
										type	
										Product Customer Drawing	
sheet index		revision sheet								Rev.	
										E	

- NOTE
- 1.THICKNESS OF A METAL MASK: 0.1mm
 - 2.FPC / FFC
 - 1)FPCの補強板接着剤には熱硬化接着剤を使用し、接着方式は熱圧着とする。
 - 2)打抜き方向は導体側から補強板側を推奨いたします。
 - 3)導体部については軟銅箔35μm又は、50μmを推奨いたします。

PRODUCT NO.

10081215-**11HLF



NOTE
 1.MATERIAL
 1)HOUSING:THERMOPLASTIC RESIN,UL94V-0, NATURAL
 2)ACTUATOR:THERMOPLASTIC RESIN,UL94V-0, BLACK
 3)CONTACT:COPPER ALLOY (t=0.20)
 4)FIXING TAB: COPPER ALLOY (t=0.20)
 2.FINISH
 1)CONTACT: ALL OVER Ni,Au FLASH.
 2)FIXING TAB: ALL OVER Ni , Sn PLATING 1.5~3.5μm
 3.CO-PLANARITY: 0.1 MAX.
 5.RoHS
 THIS PRODUCT MEETS EUROPEAN UNION DIRECTIVES AND OTHER COUNTRY REGULATIONSAS DESCRIBED IN GS-22-008
 6.SPECIFICATIONS
 PRODUCT SPECIFICATIONS : GS-12-493
 APPLICATION SPECIFICATIONS : GS-20-102
 PACKAGING SPECIFICATIONS : GS-14-1205

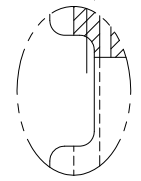
10081215-6011HLF	33.6	33.3	34.2	29.5	35.3
P/N	A	B	C	D	F

mat'l. code		surface		tolerance		projection		product family		CODE	
---		ISO 1302		ISO 406		MM		599F FLEX 0.5		JP	
litr description		ecn no		dr		date		tolerances unless otherwise specified		title	
D Add New P/N -6011HLF		ECNJ-20766		Y.K		2015-04-28		0.X ±0.2		ASSEMBLY	
E Only rev. up		ECNJ-21520		Y.K		2015-07-27		0.XX ±0.2		0.5mm PITCH CONNECTOR FOR FPC VHC Series	
								0.XXX ±0.2		scale 10:1	
				dr		Y.KAMEDA 2015-07-27		dwg no		sheet 4 of 5 size	
				enr		Y.KAMEDA 2015-07-27		10081215		A3	
				chr		M.MINATO 2015-07-27		type		Product Customer Drawing	
				appd		N.SASAME 2015-07-27				Rev.	
sheet index		revision sheet								E	

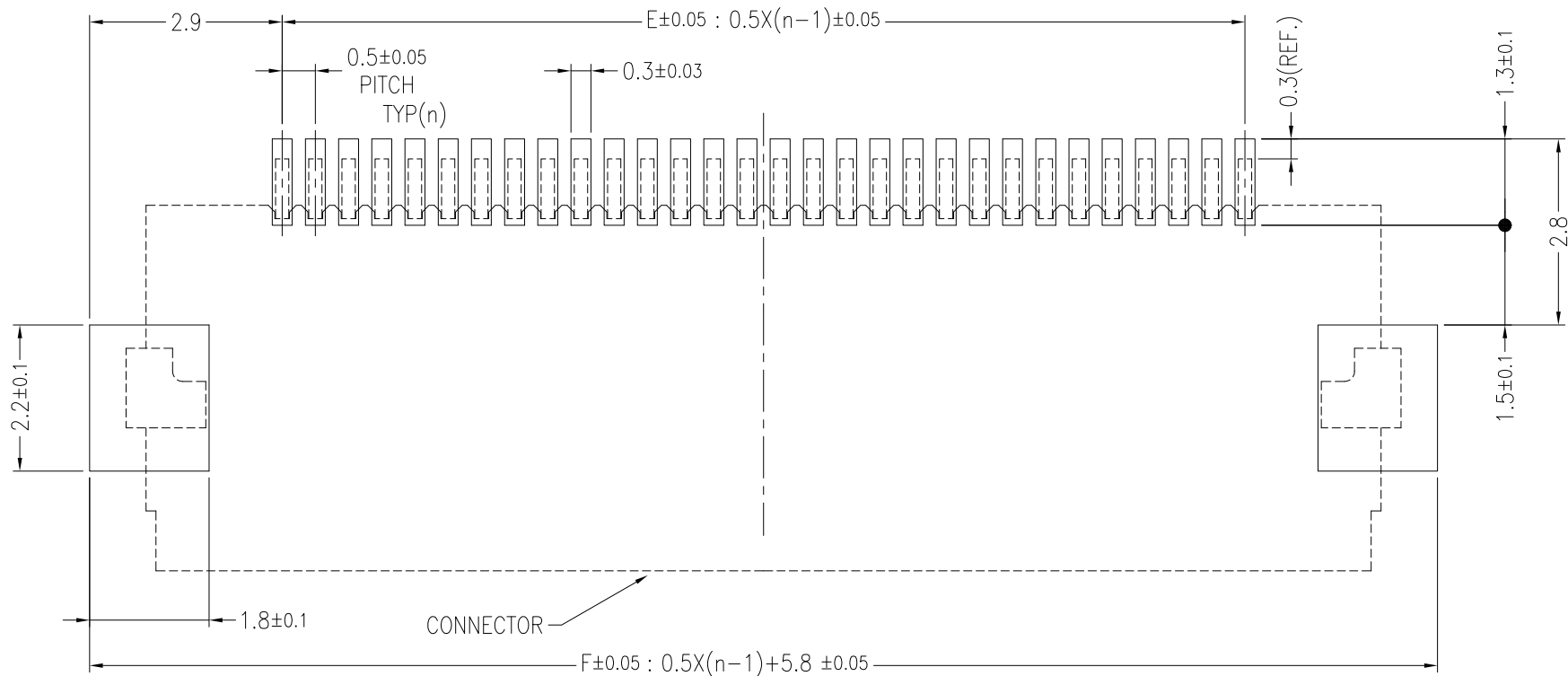
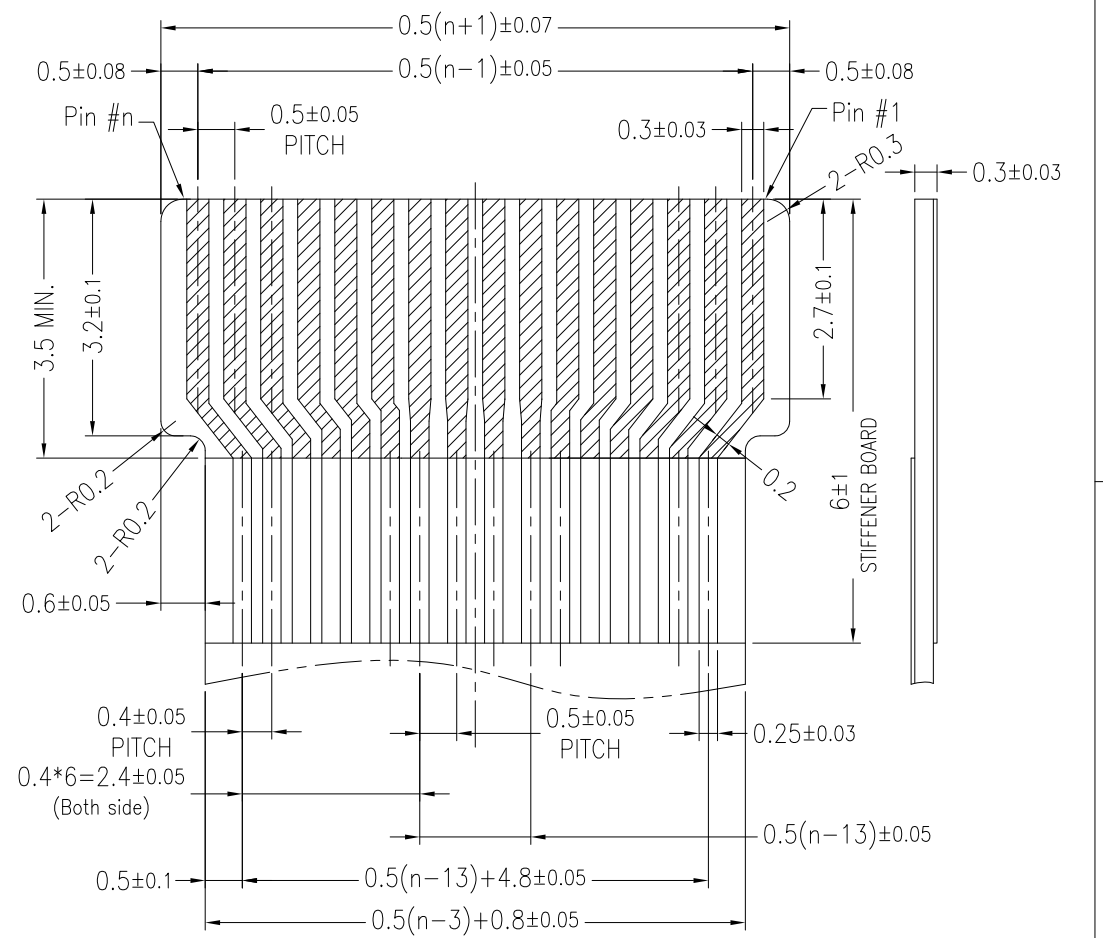
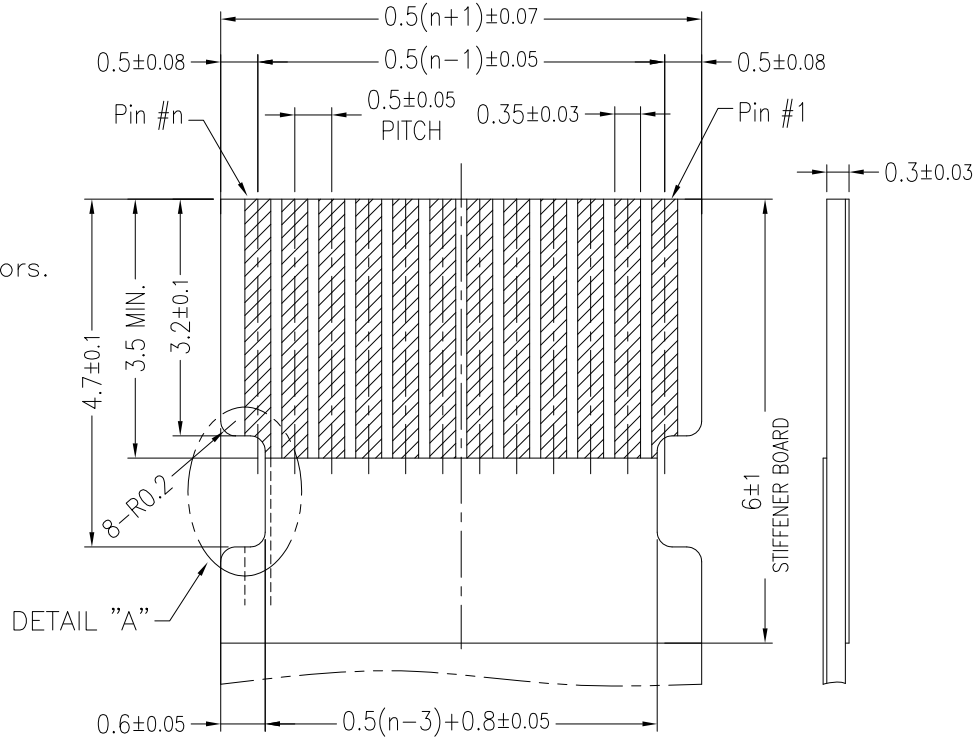
PRODUCT NO.

10081215-**11HLF

Cut through both sides conductors.



DETAIL "A"



NOTE

- 1.THICKNESS OF A METAL MASK: 0.1mm
- 2.FPC / FFC
ADHESIVE METHOD OF SUPPORTING TAPE SHALL BE HEAT CRIMPING METHOD AND THERMOSETTING ADHESIVE MATERIAL SHALL BE USED.
- 3.ACCORDING TO THE KIND OF CABLE TO BE USED, SINCE OUTSIDE TWO CONDUCTORS CANNOT BE USED, THE LINE OF SIGNAL DECREASES.

注記

- 1.メタルマスク厚 : 0.1mm
- 2.FPC / FFC
FPCの補強板接着剤には熱硬化接着剤を使用し、接着方式は熱圧着とする。
- 3.使用するケーブルの種類によっては、外側の2つの導体が使用不可能になるため信号ラインが減少します。

10081215-6011HLF	33.6	33.3	34.2	29.5	35.3
P/N	A	B	C	D	F

mat'l. code		surface		tolerance		projection		product family		CODE	
---		ISO 1302		ISO 406		MM		599F FLEX 0.5		JP	
ltr		description		ecn no		dr		date		tolerances unless otherwise specified	
D		Add New P/N -6011HLF		ECNJ-20766		Y.K		2015-04-28		0.X ±0.2	
E		Only rev. up		ECNJ-21520		Y.K		2015-07-27		0.XX ±0.2	
										0.XXX ±0.2	
										scale 10:1	
										title	
										ASSEMBLY	
										0.5mm PITCH CONNECTOR FOR FPC	
										VHC Series	
										dwg no	
										sheet 5 of 5 size	
										10081215 A3	
										type	
										Product Customer Drawing	
sheet index		revision sheet								Rev. E	