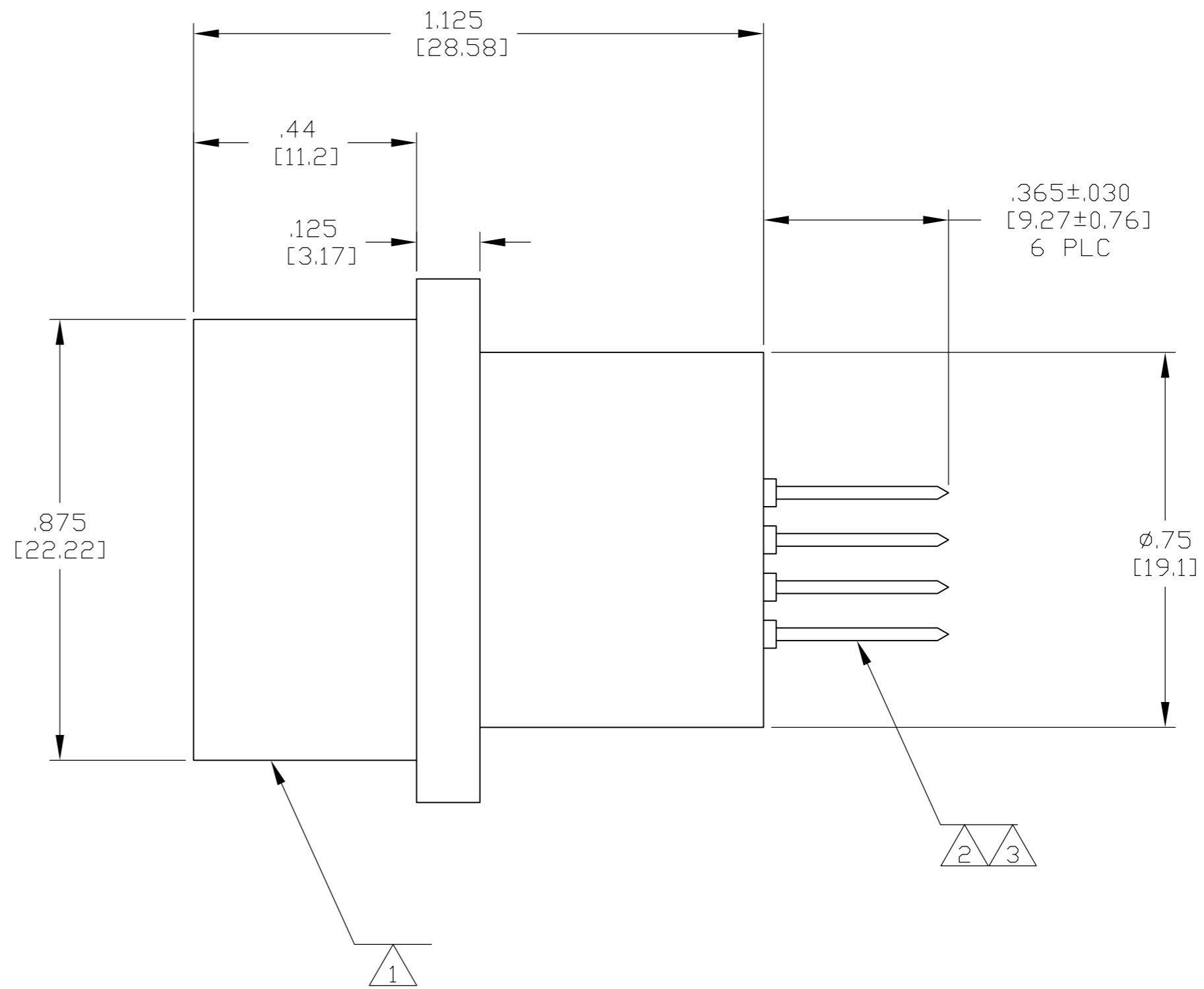
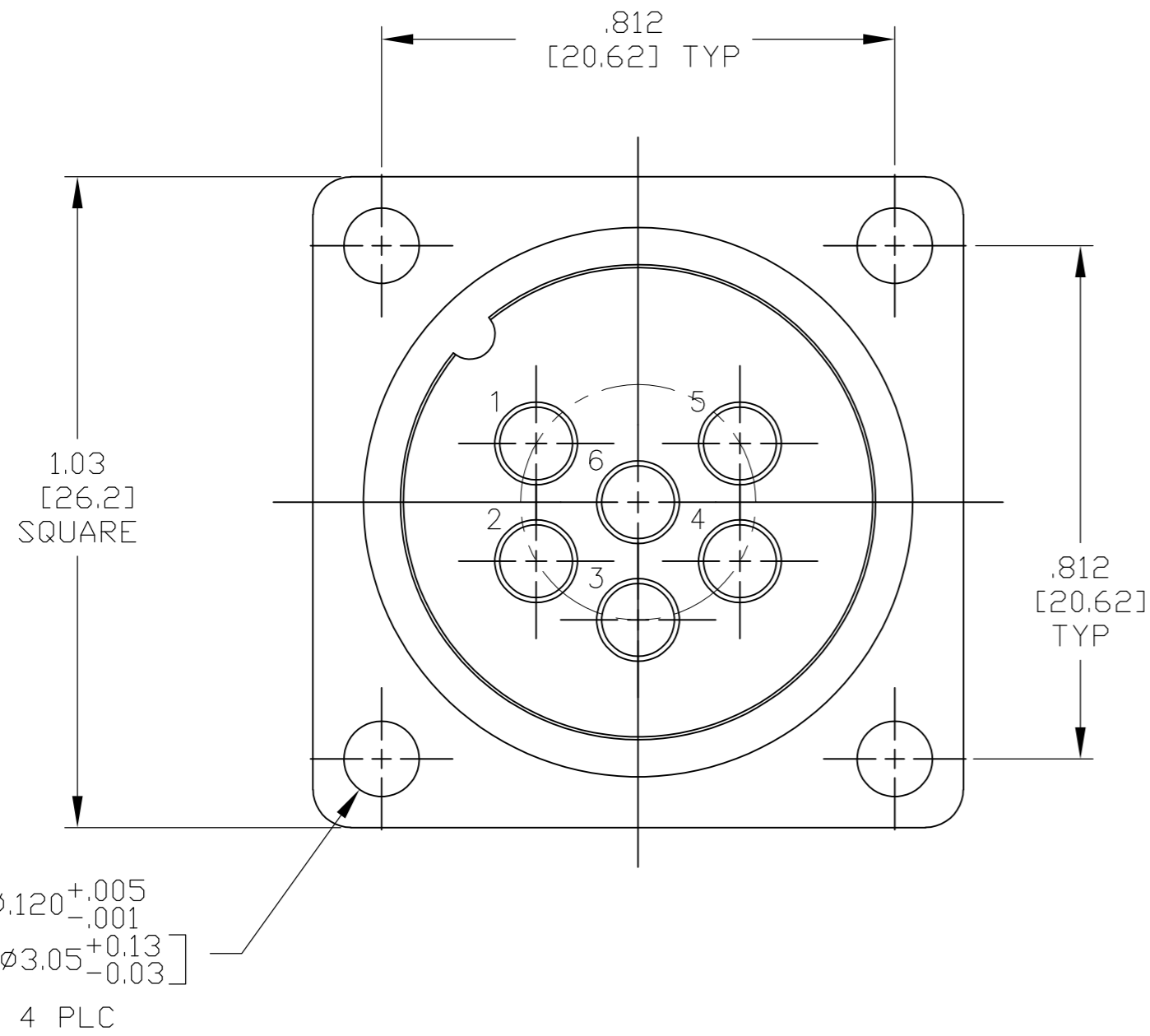


THIS DRAWING IS UNPUBLISHED. RELEASED FOR PUBLICATION  
 © COPYRIGHT BY TYCO ELECTRONICS CORPORATION. ALL RIGHTS RESERVED.

LOC		DIST		REVISIONS			
P	LTR	DESCRIPTION		DATE	DWN	APVD	
DF	S5	A		REV PER ECO 07-016498	7-16-07	CT	DE



- 1 HOUSING IS NOT PROVIDED WITH THREADED FRONT SKIRT.
- 2 AMP TYPE III +, SIZE 16 SOCKET CONTACTS WITH .025 [0.63] SQUARE POSTS, GOLD PLATED BODY WITH TIN-LEAD PLATED POSTS. 6 PLC
- 3 AMP TYPE III +, SIZE 16 SOCKET CONTACTS WITH .025 [0.63] SQUARE POSTS, GOLD PLATED BODY WITH TIN PLATED POSTS. 6 PLC

3	5-447914-1
2	447914-1
CONTACT PLATING	PART NO.

THIS DRAWING IS A CONTROLLED DOCUMENT.		DWN T. SHUEY 7-15-91	Tyco Electronics Corporation Harrisburg, PA 17105-3608	
DIMENSIONS: INCHES [mm]		CHK D. EABY 8-15-91	NAME RECEPTACLE, 6 POSITION, LGH	
TOLERANCES UNLESS OTHERWISE SPECIFIED:		APVD D. EABY 8-15-91	SIZE A2	CAGE CODE 00779
0 PLC ± -		PRODUCT SPEC	DRAWING NO. C=447914	RESTRICTED TO -
1 PLC ± -		APPLICATION SPEC	SCALE 4:1	SHEET 1 of 1
2 PLC ± .01 [0.3]		WEIGHT -	REV A	
3 PLC ± .005 [0.13]		CUSTOMER DRAWING		
4 PLC ± -				
ANGLES ± -				
MATERIAL HOUSING: BLACK POLYESTER THERMOPLASTIC		FINISH CONTACT: SEE TABLE		